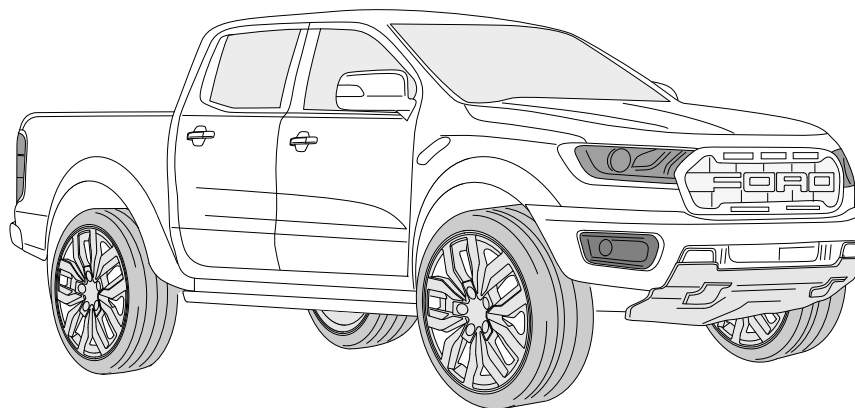




ERICH JAEGER

Installation instructions



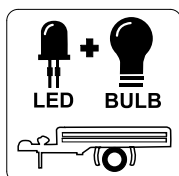
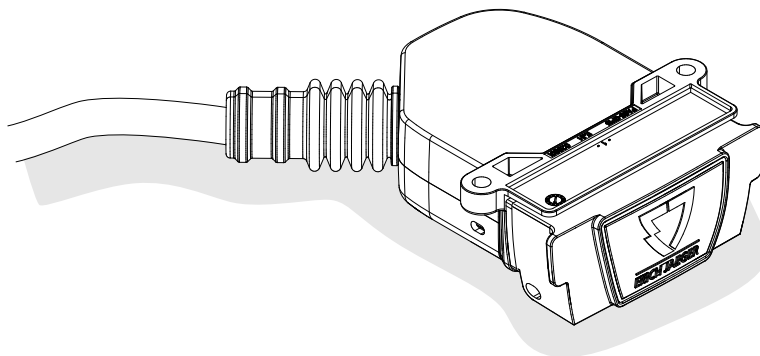
750036EJ

FORD Ranger PX2
FORD Ranger PX3

08/15-09/18
10/18-04/22



SCAN FOR
LATEST
INSTRUCTIONS



Reference:

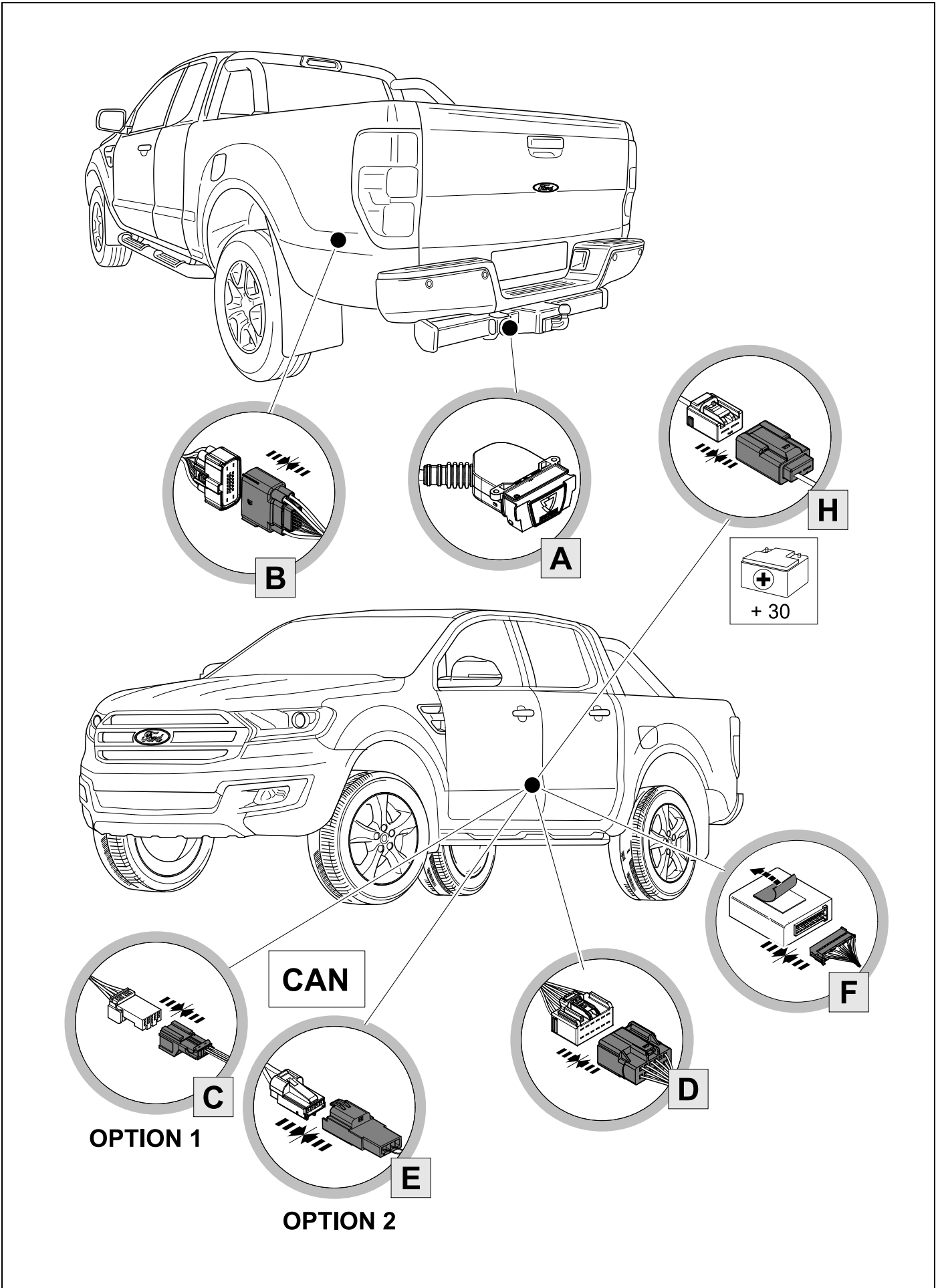
The following information must be reviewed before beginning the assembly:

The installation instructions are to be thoroughly read.

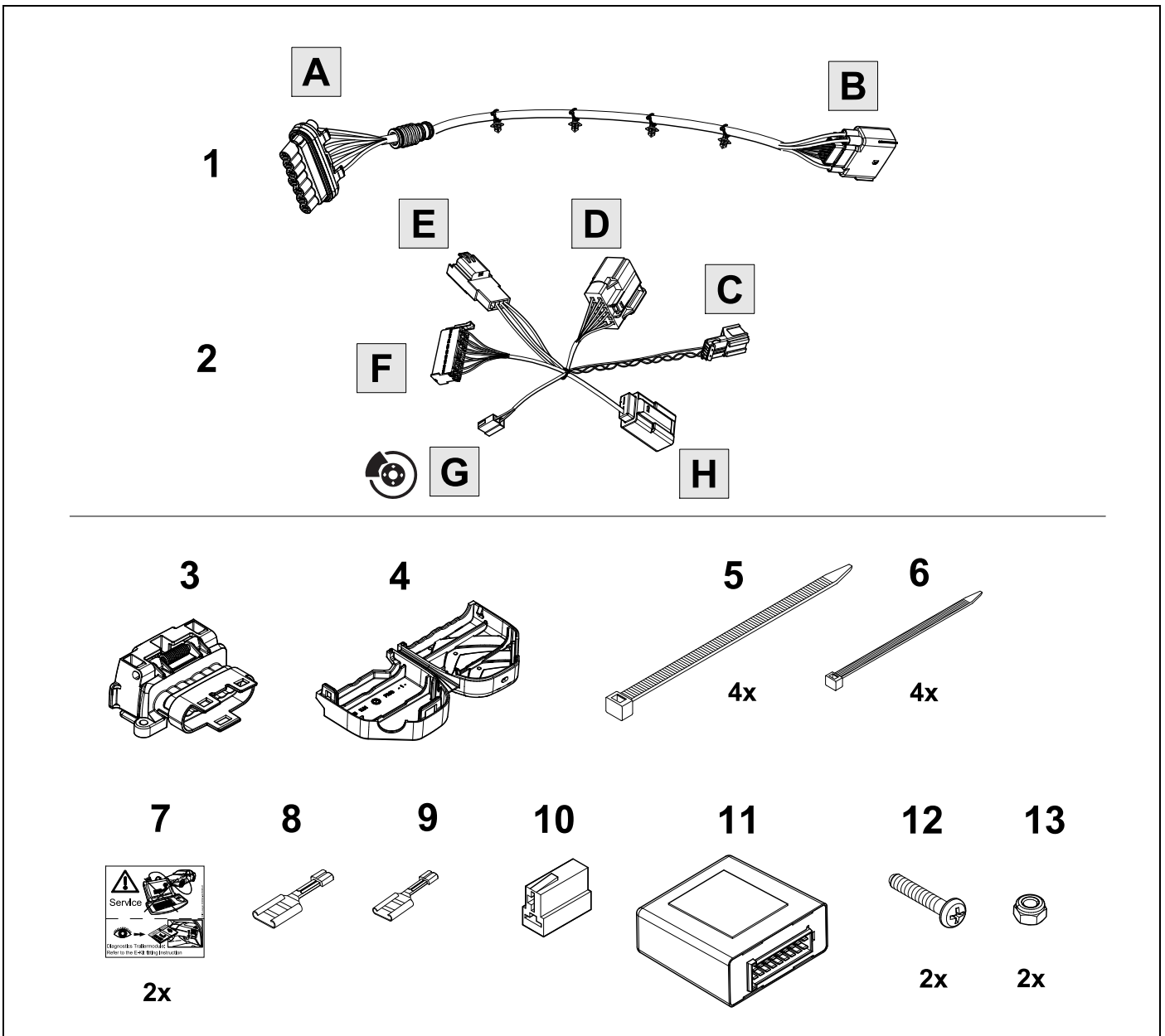
The installation should be carried out by qualified personnel with the relevant technical knowledge. The vehicle manufacturers' current technical notices and information on retrofitting must be followed. The removal and replacement instructions found in the current repair manuals must be followed.

It must be ensured that the vehicle is technically suitable for the installation of a trailer hitch.

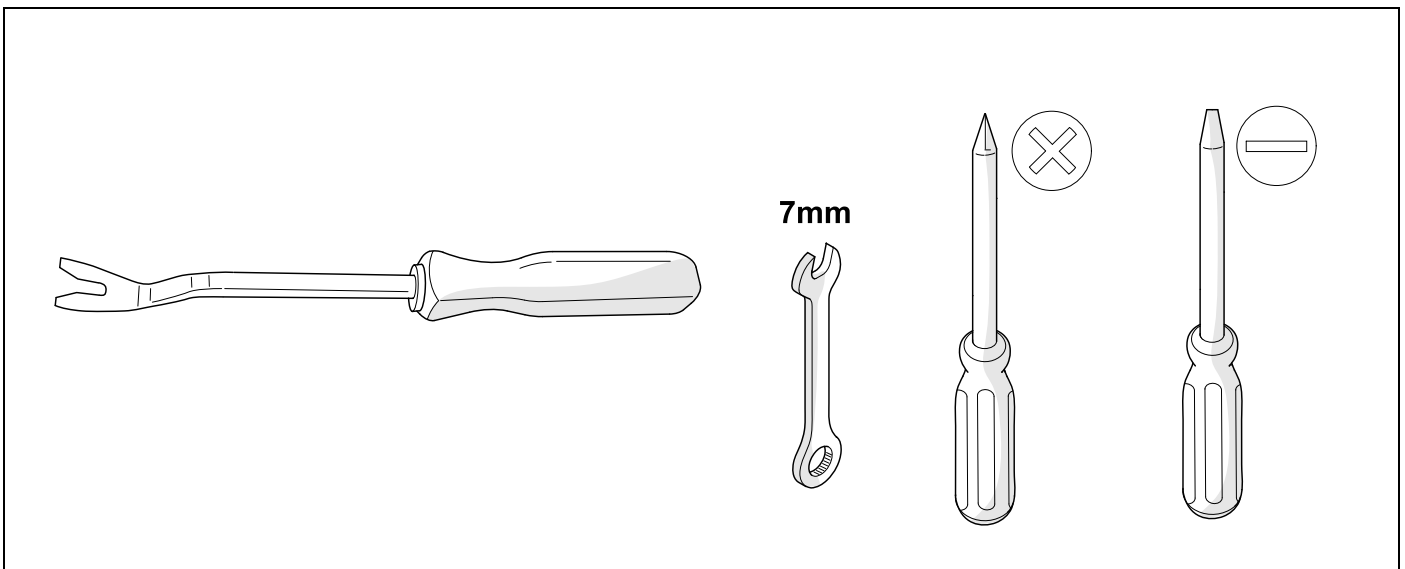
OVERVIEW



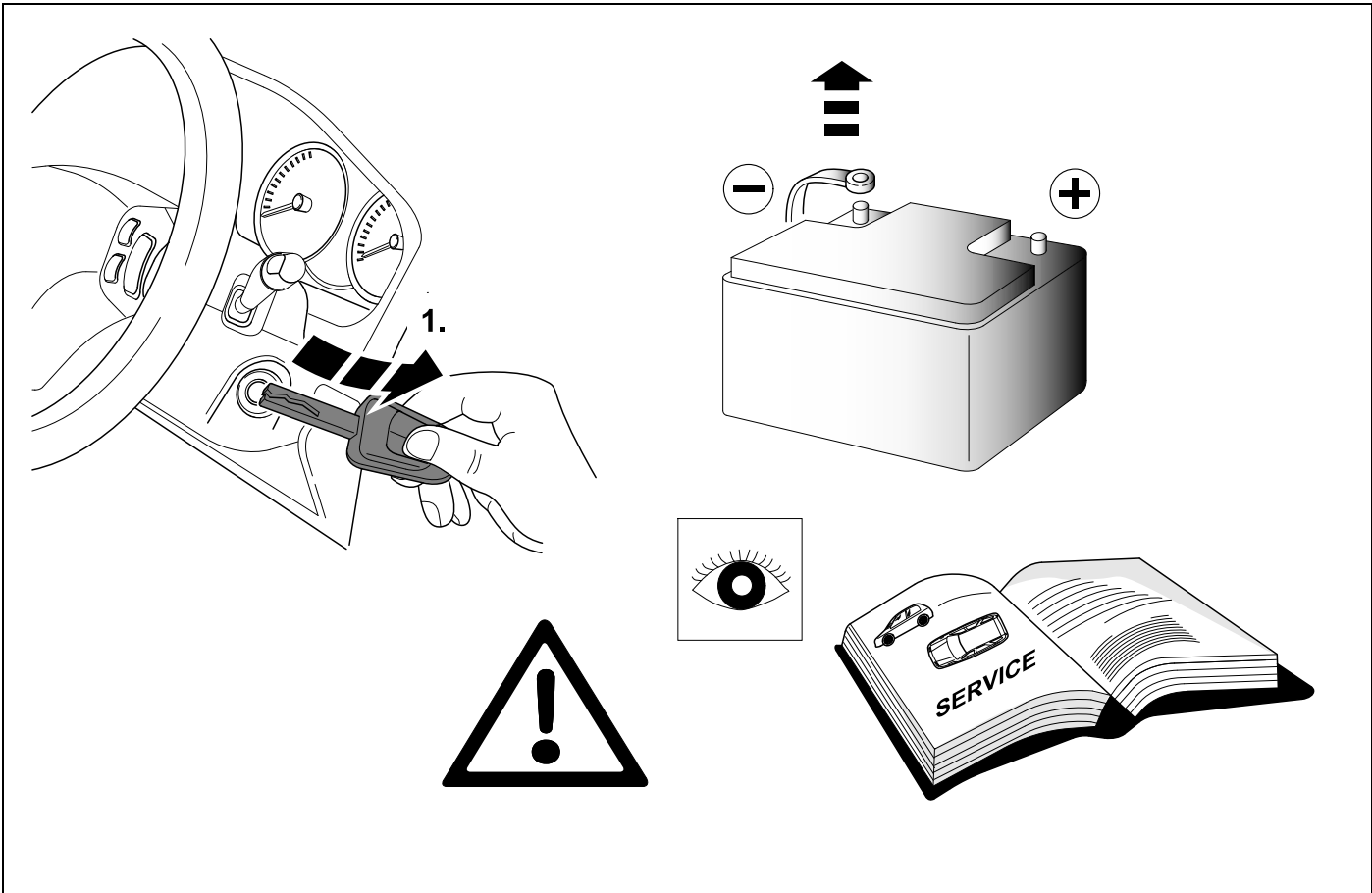
KIT



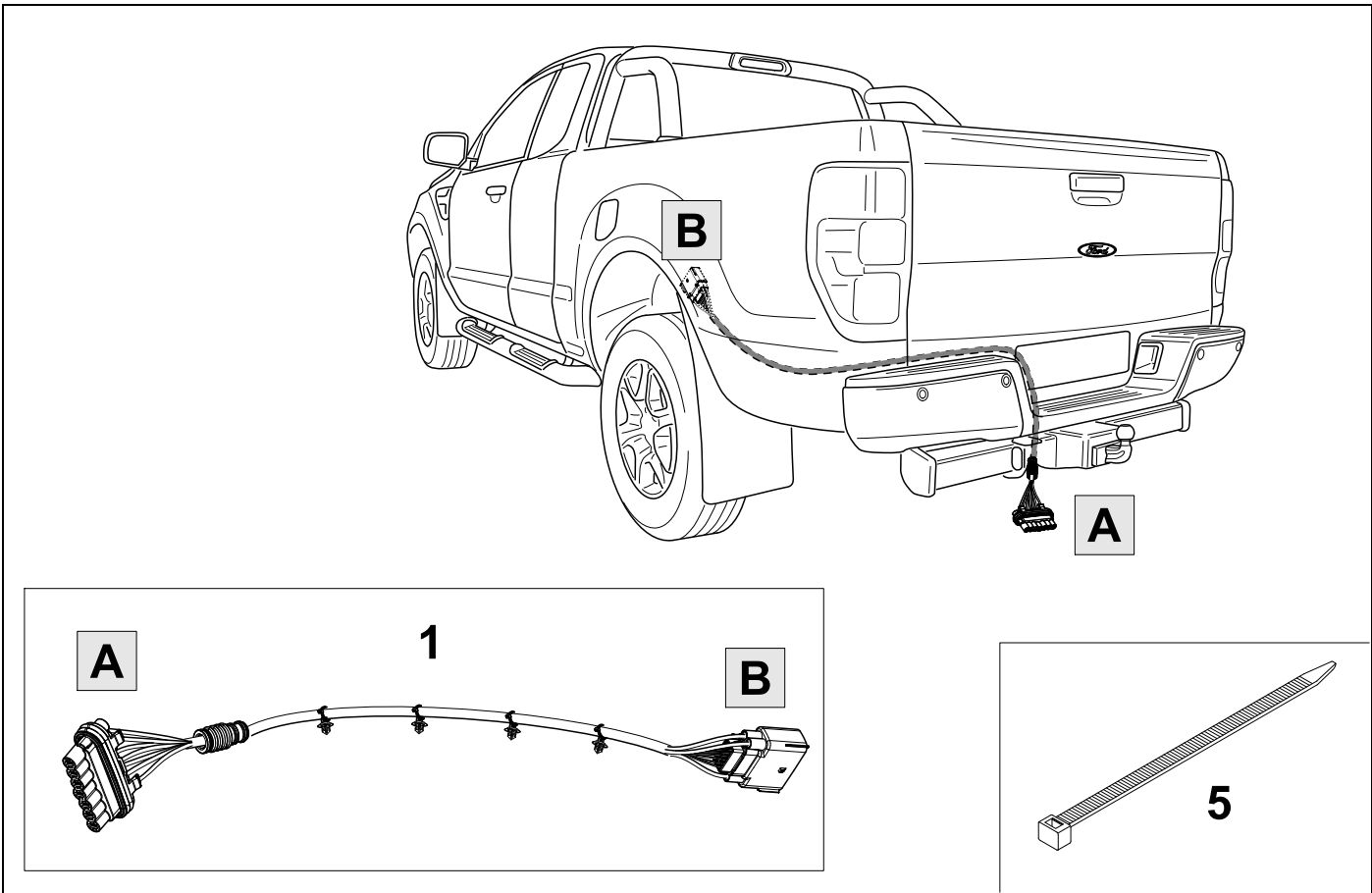
TOOLS



1



2

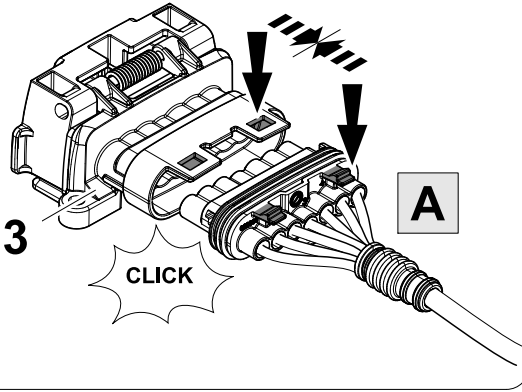


3

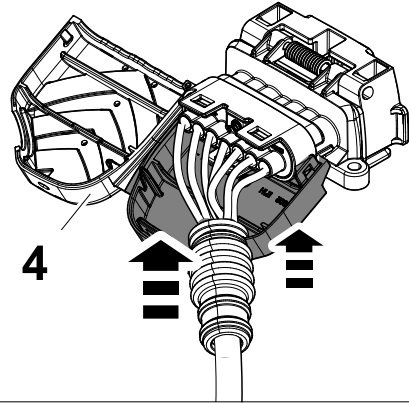


5

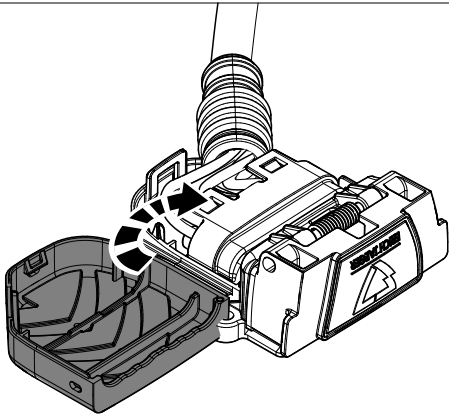
1.



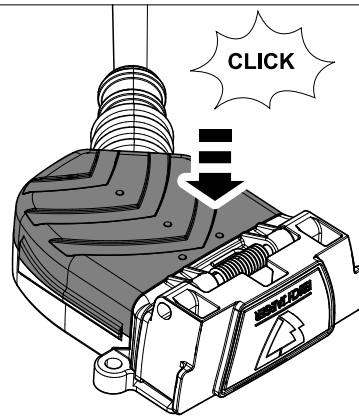
2.



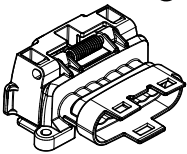
3.



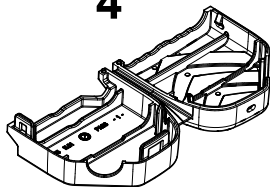
4.



3



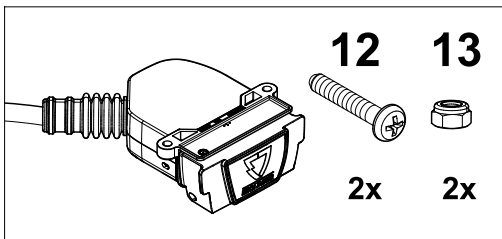
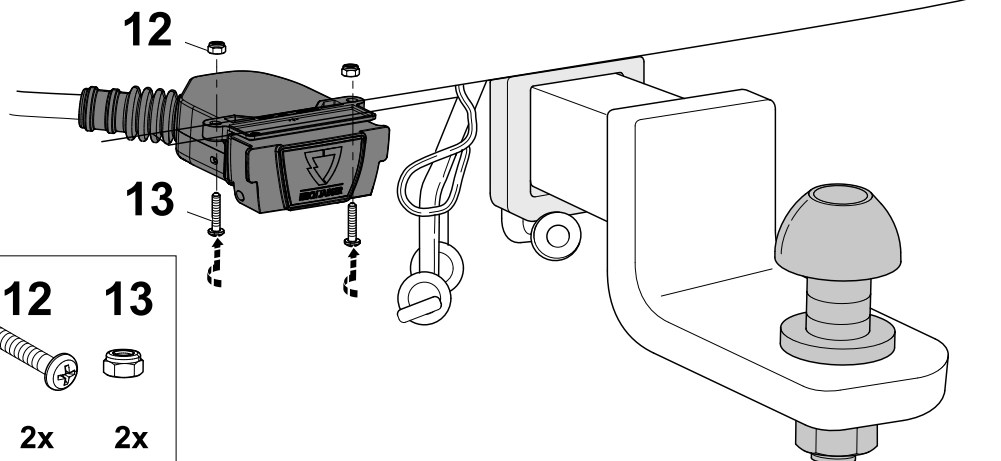
4



YouTube



4



5



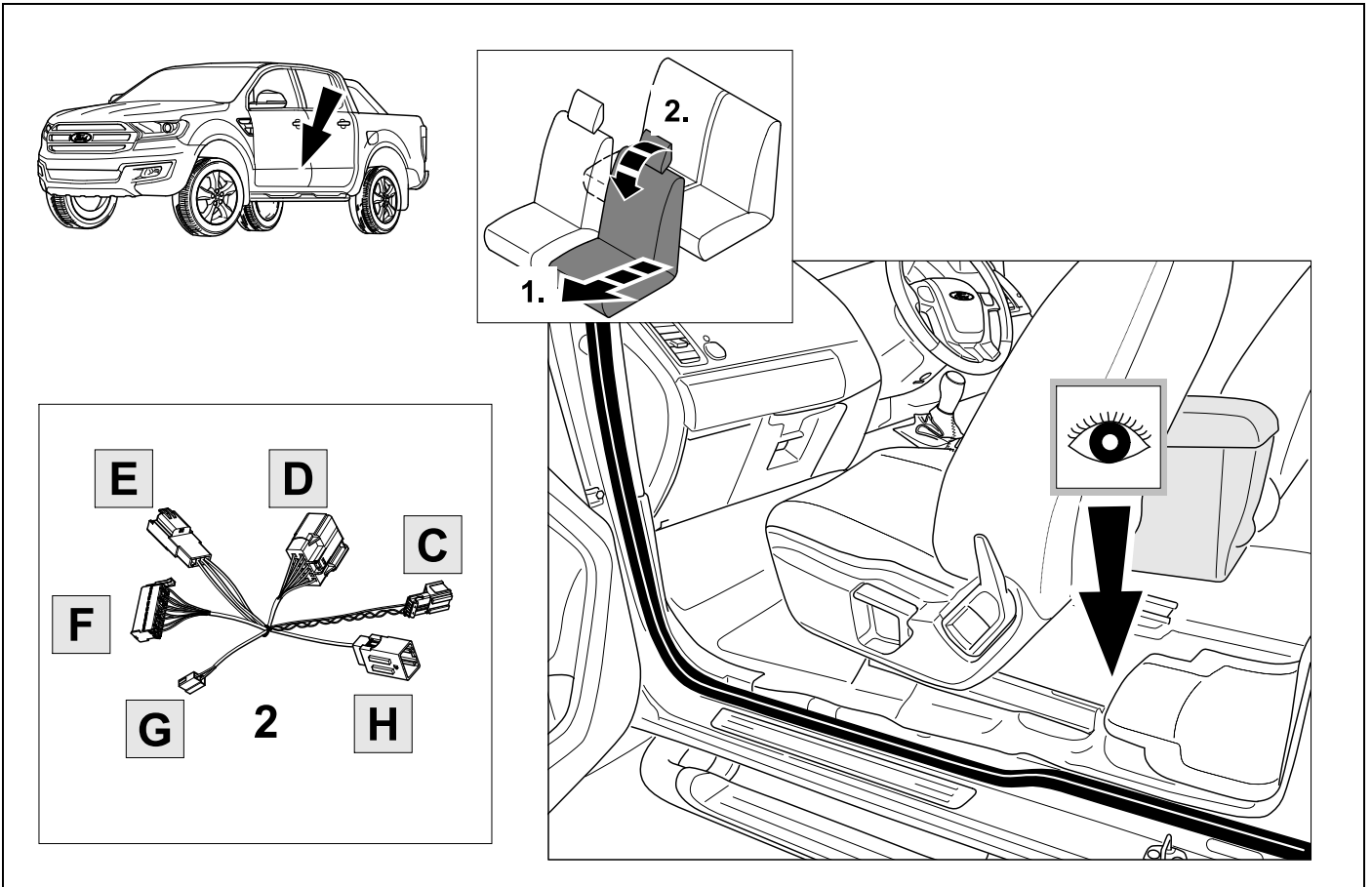
6

1	ye	
2	bk	
3	wh	
4	gn	
5	bu	
6	rd	
7	bn	

6	bk	wh	gy	gn	rd	bu	ye	bn	pu	or	no
---	----	----	----	----	----	----	----	----	----	----	----

	black	white	grey	green	red	blue	yellow	brown	purple	orange	not occupied
--	-------	-------	------	-------	-----	------	--------	-------	--------	--------	--------------

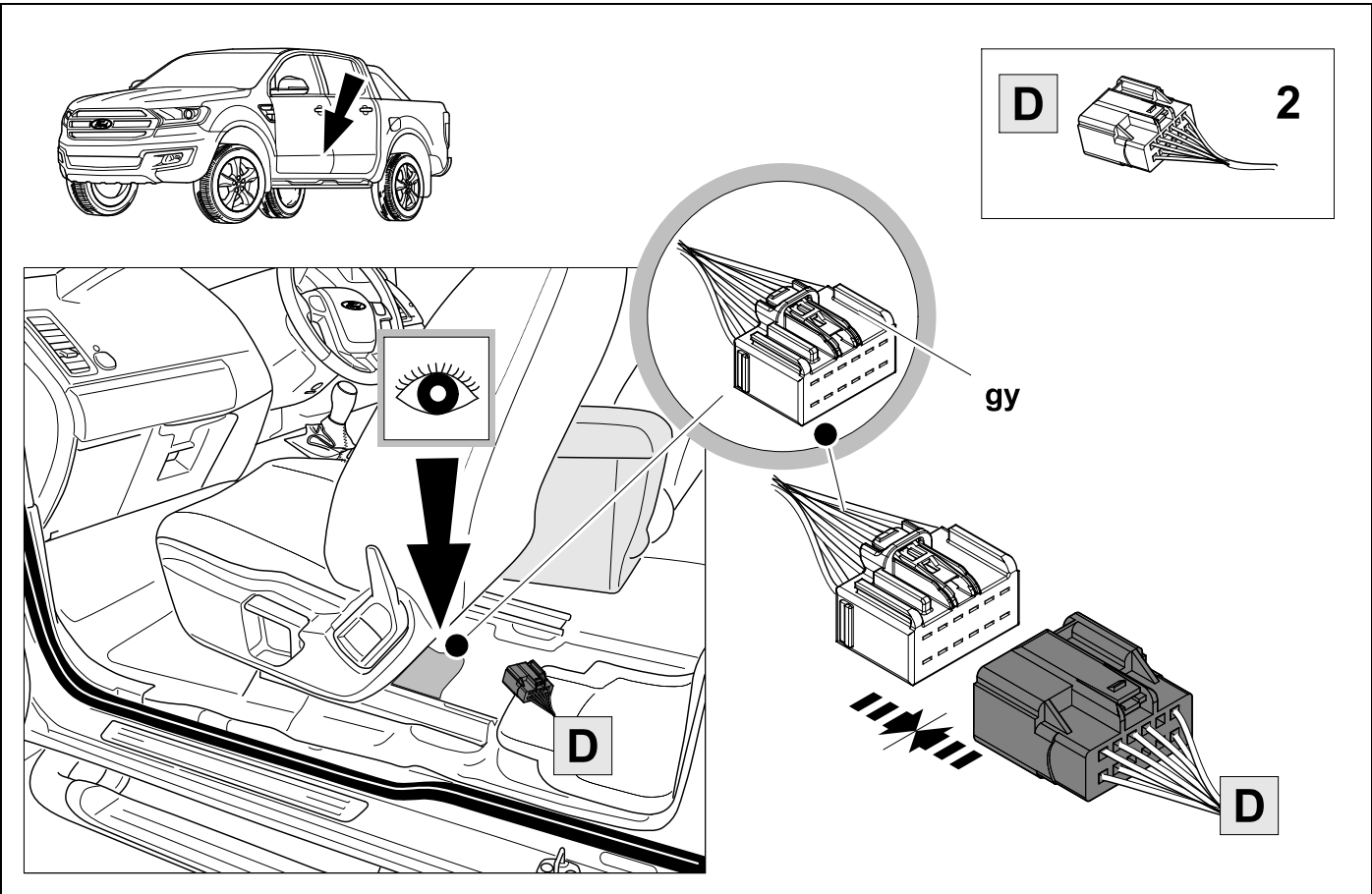
7



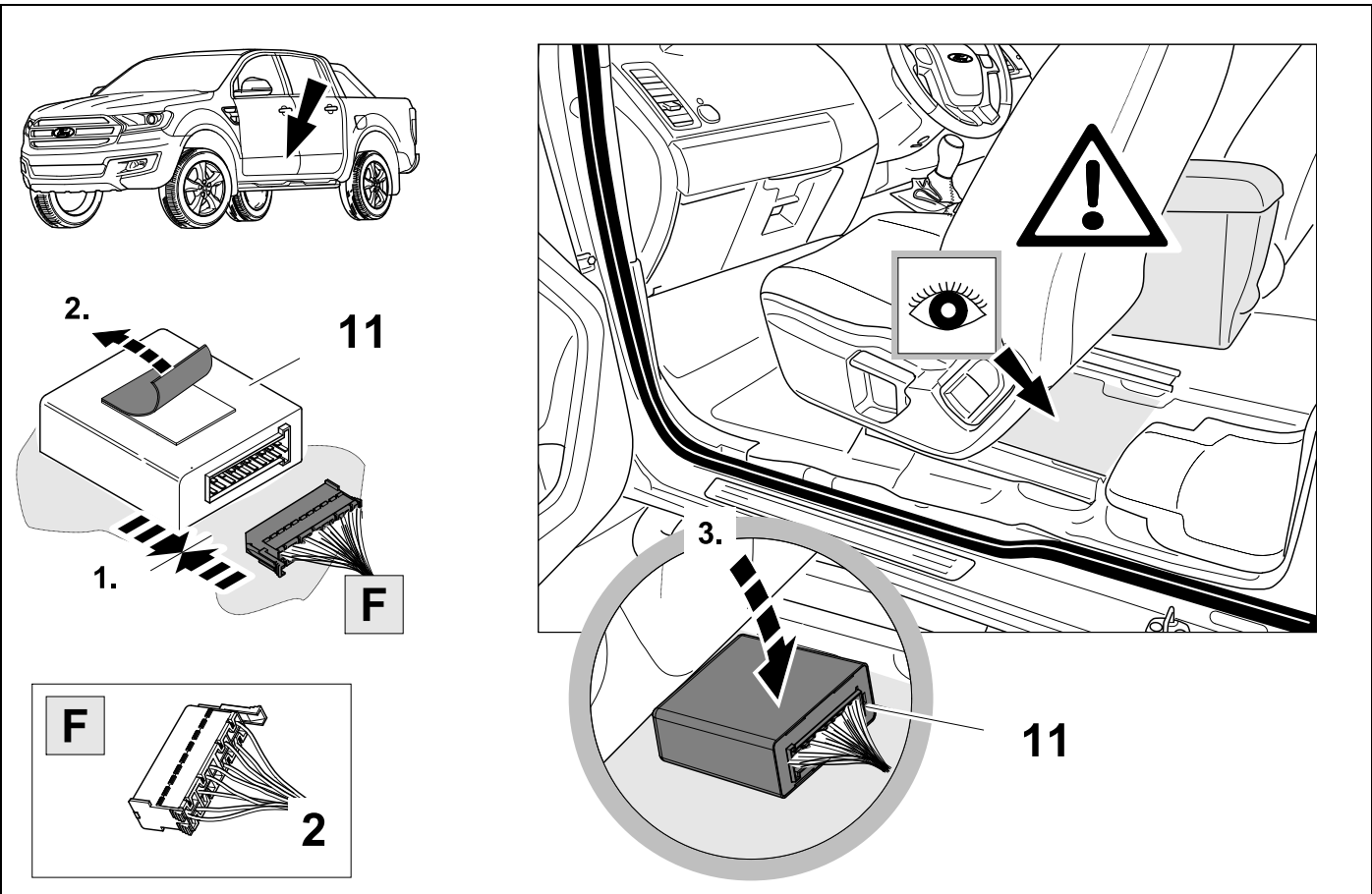
8



6



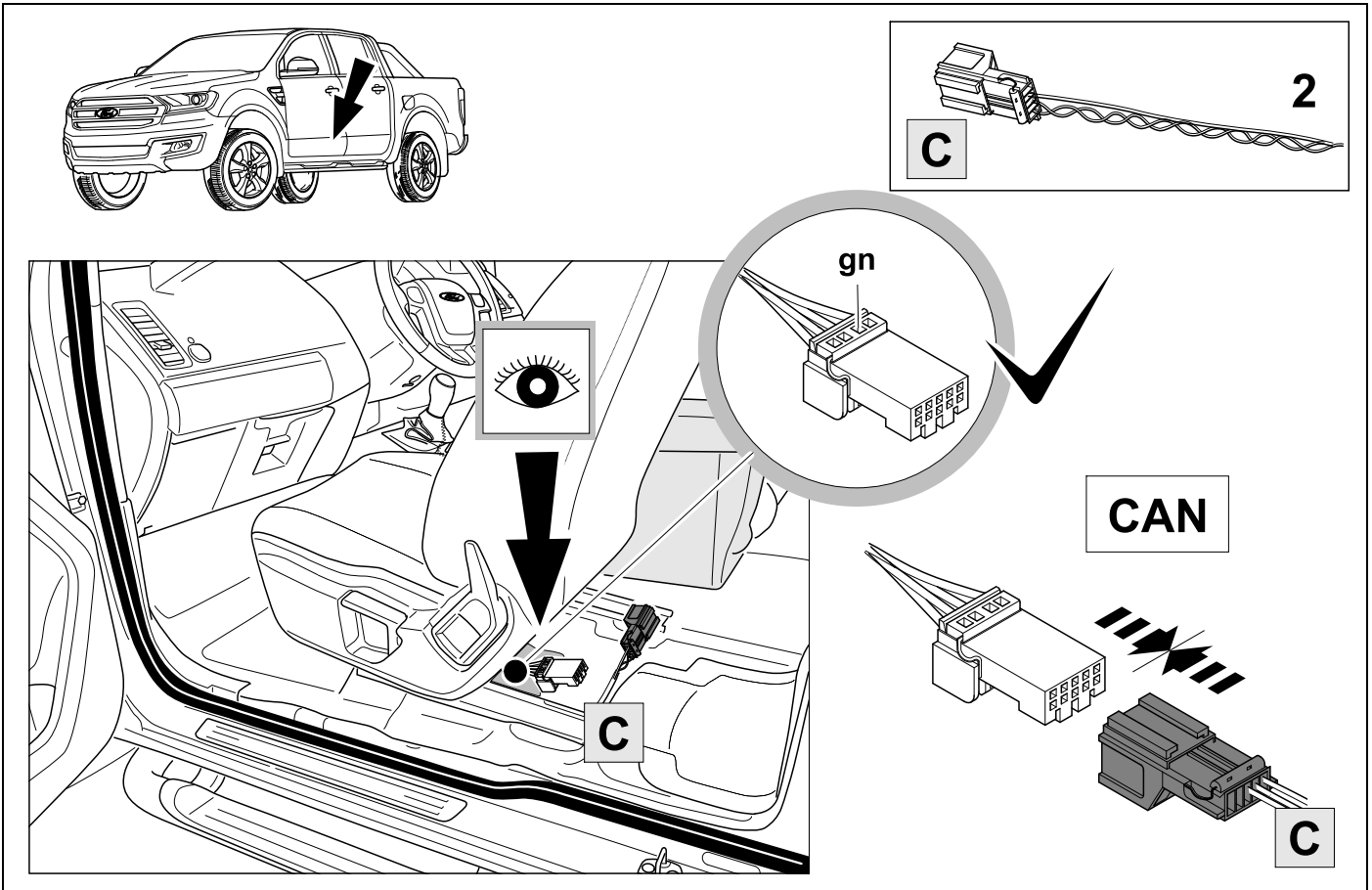
9



10 OPTION 1



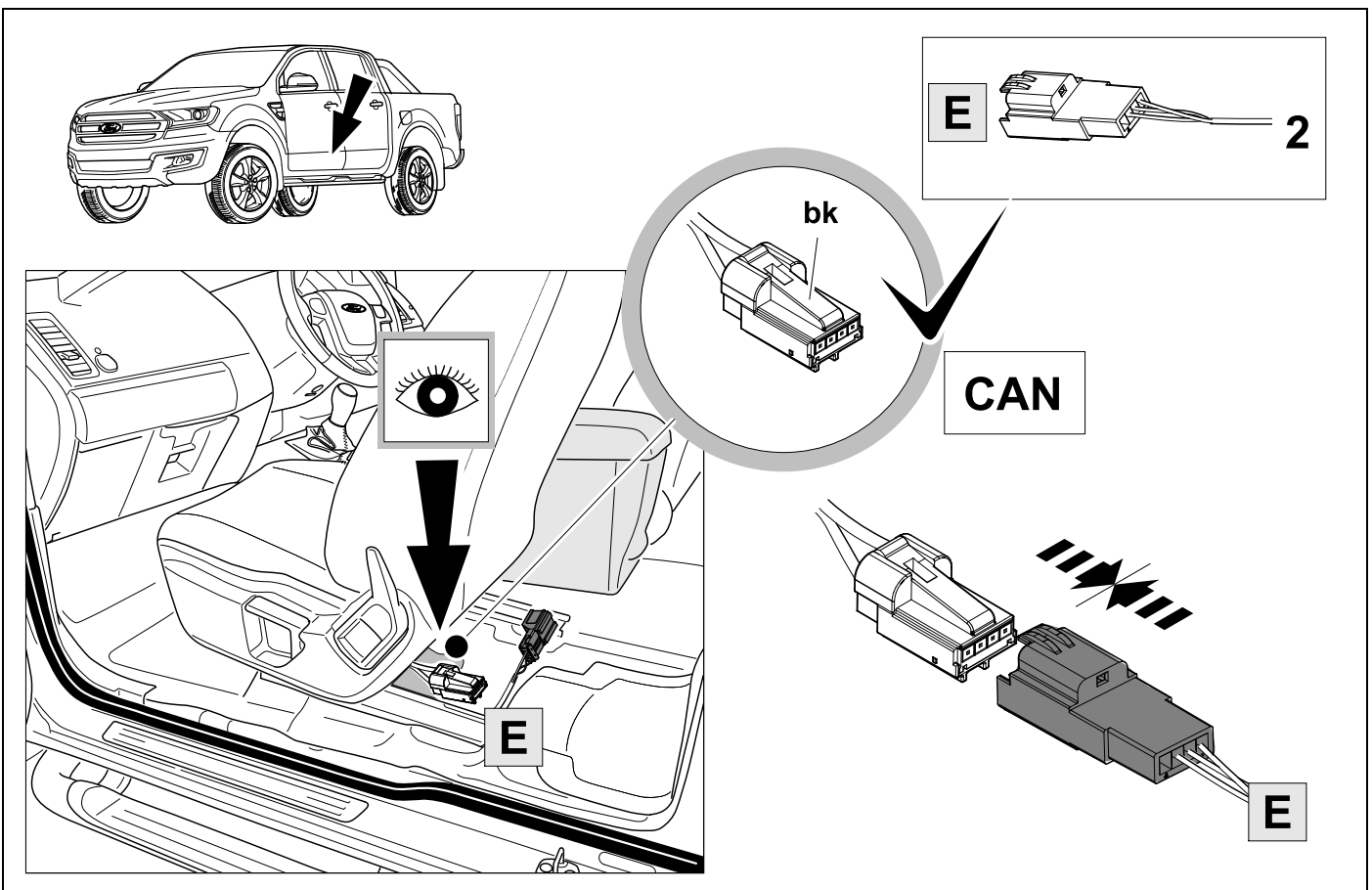
6



11 OPTION 2



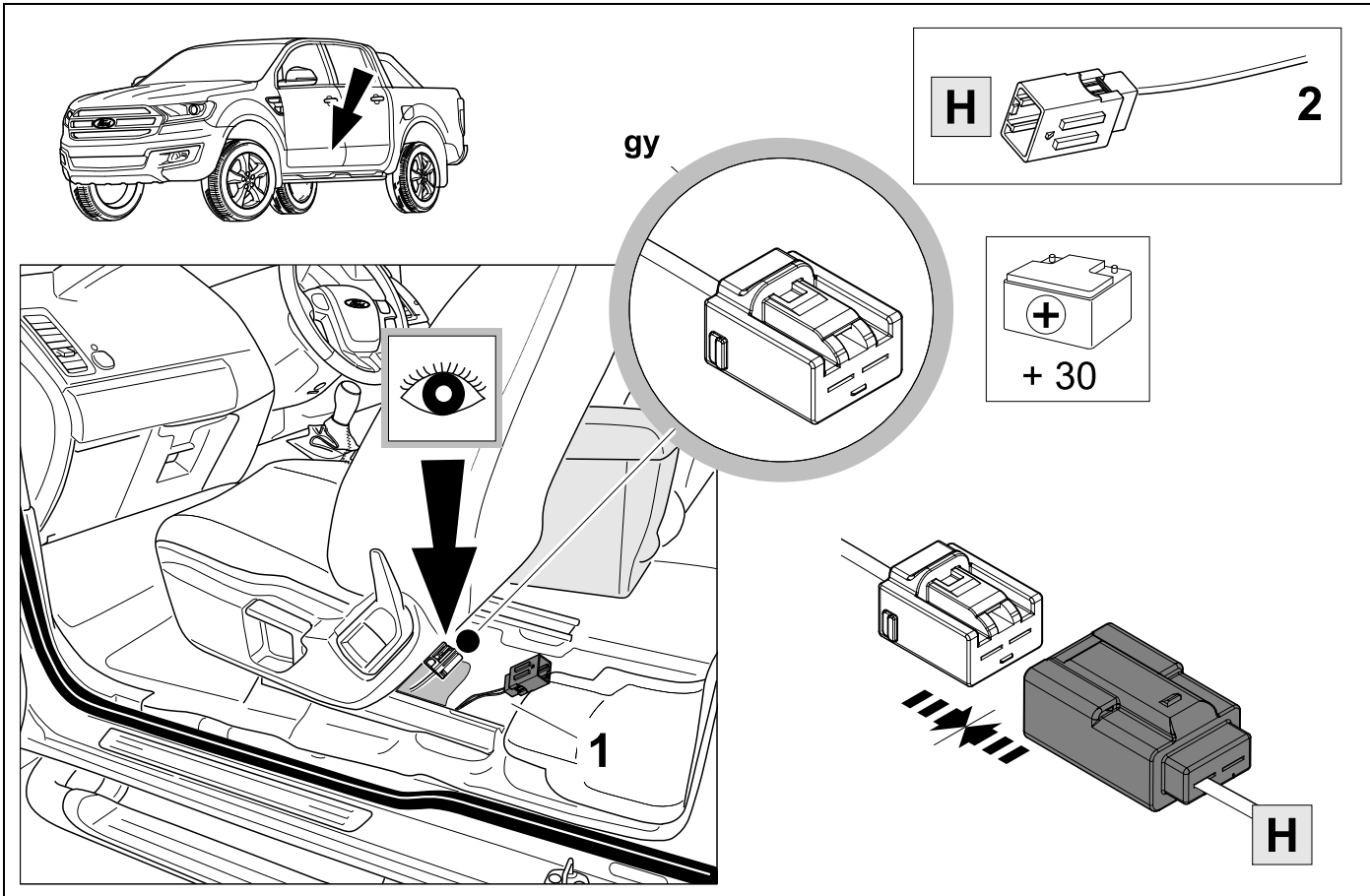
6



12



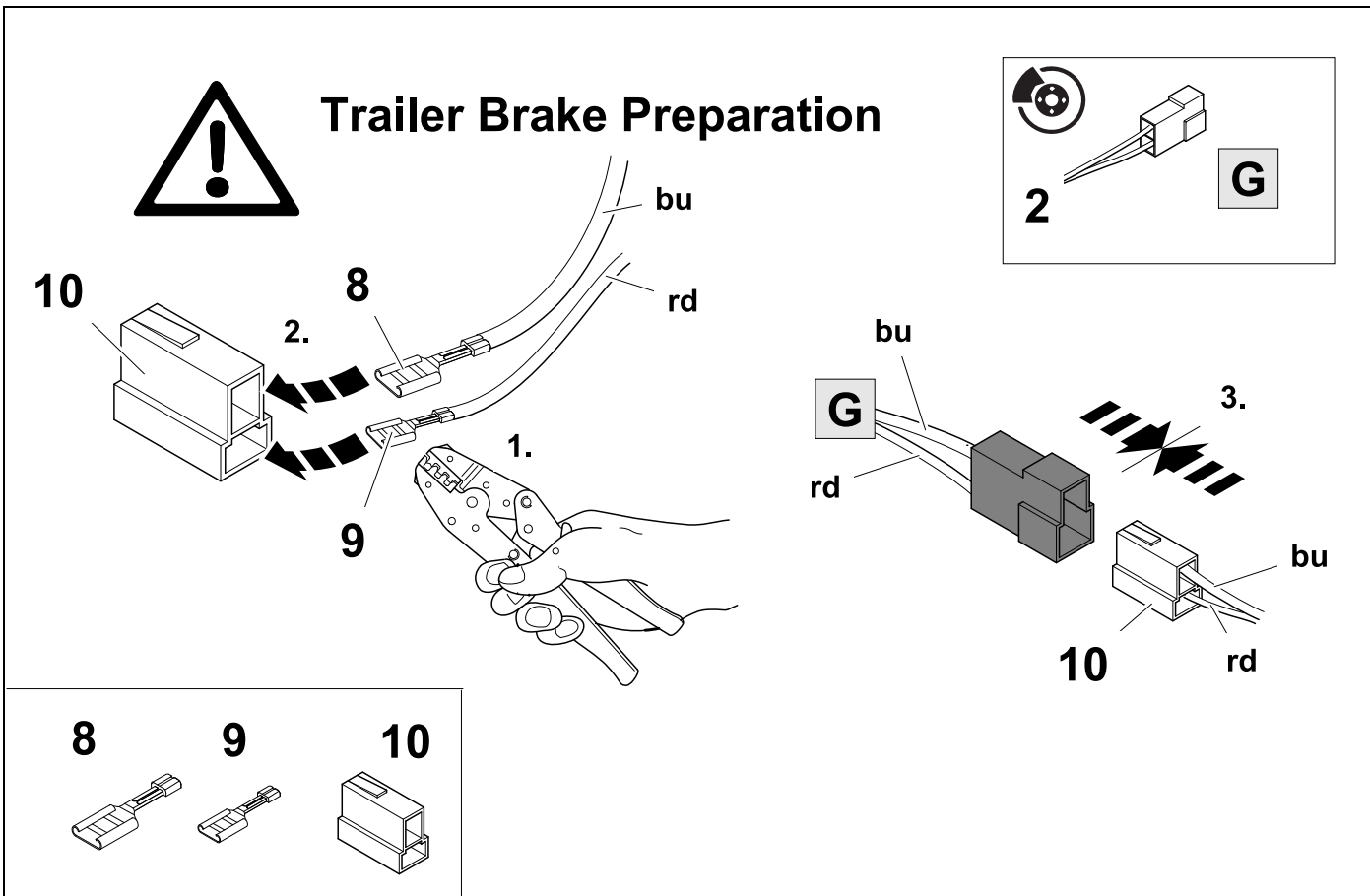
6



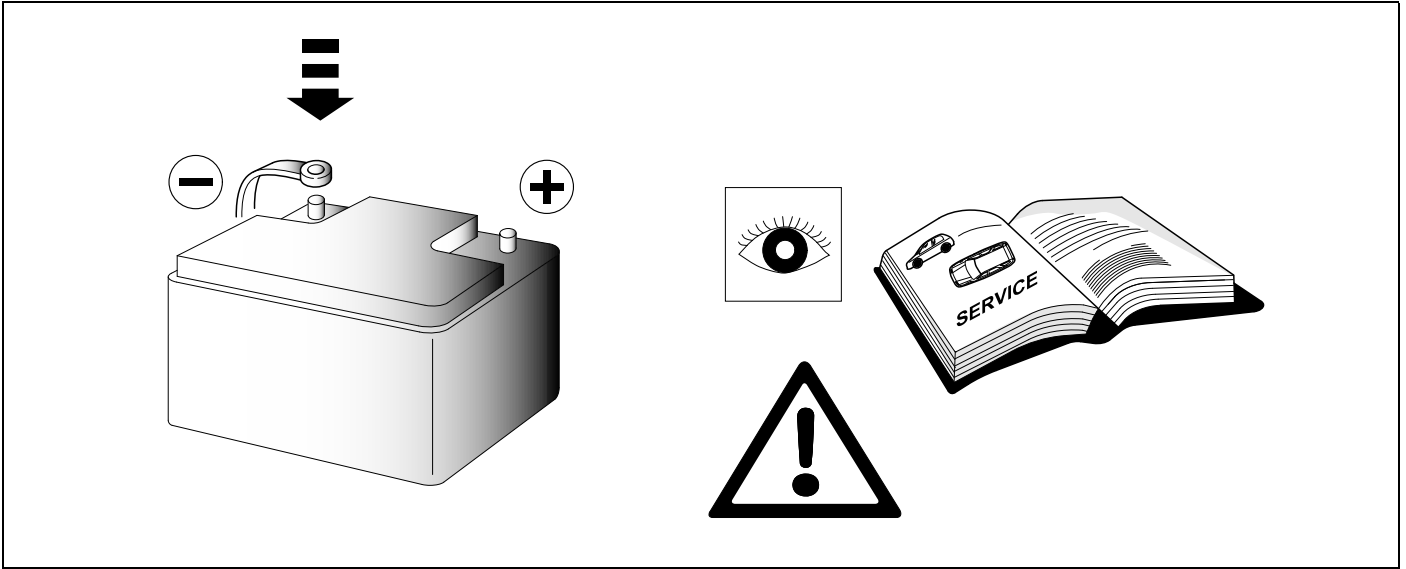
13 OPTIONAL



6

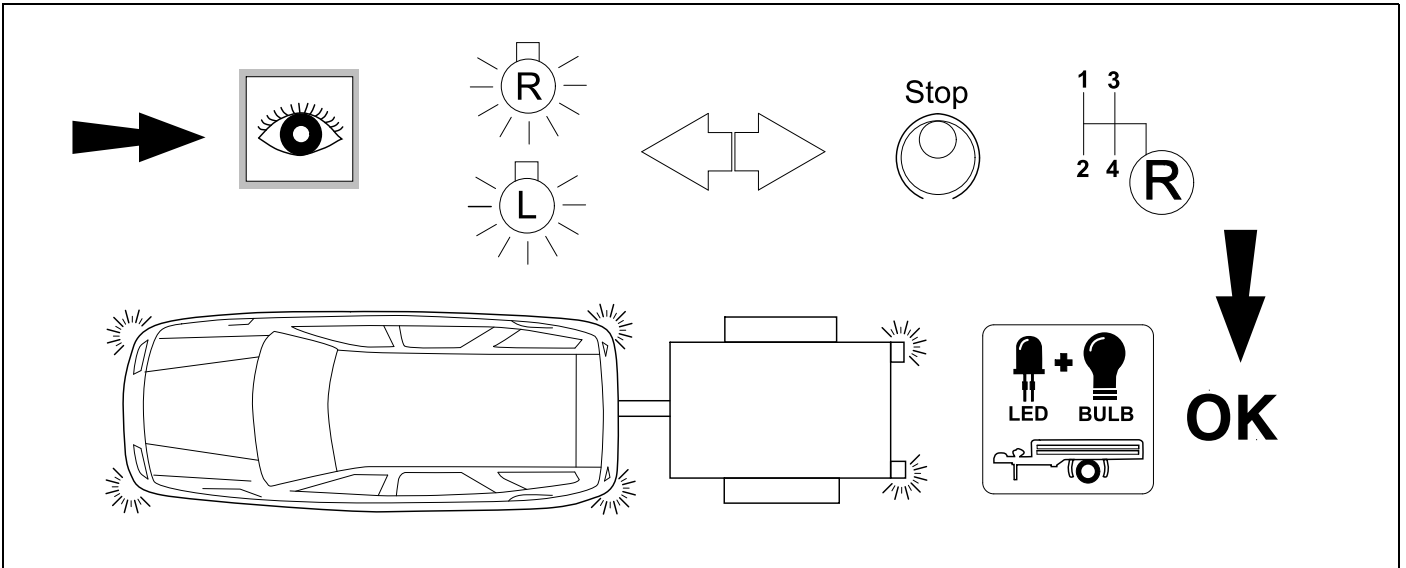


14



15

CHECK ALL LIGHTING FUNCTIONS

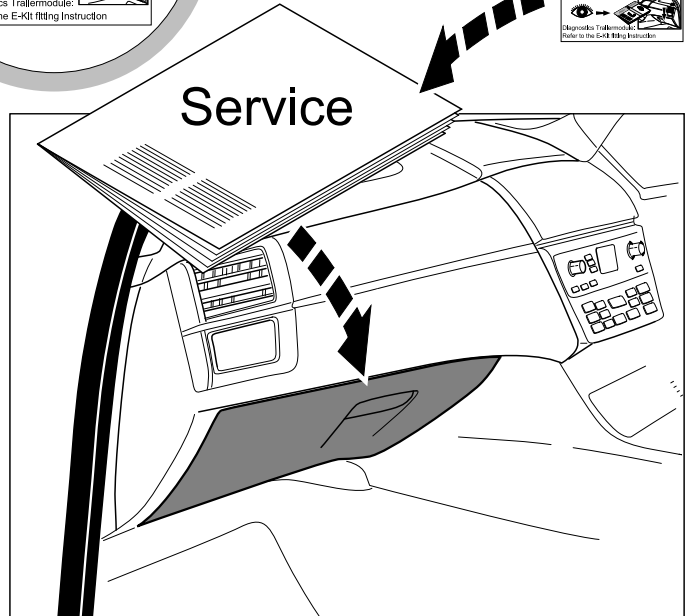
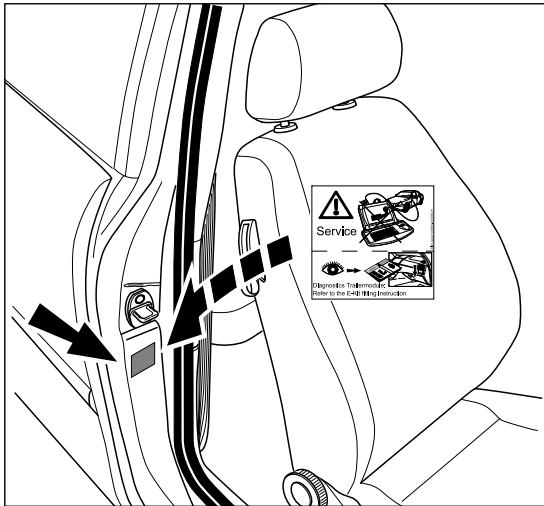
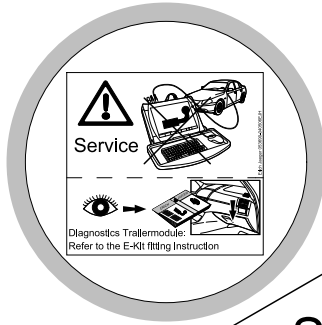


Optional:

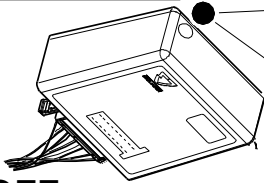
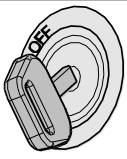
For Automatic Rear Parking Sensor deactivation the vehicle needs to be coded using the Ford OEM or aftermarket coding system.



2x 7



Operation Support



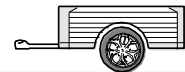
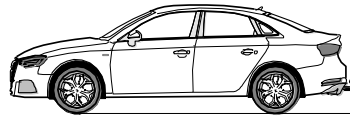
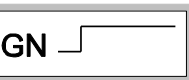
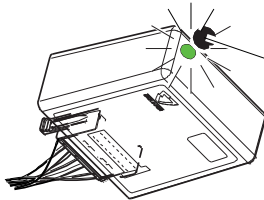
No CAN-Data =



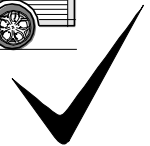
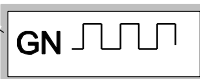
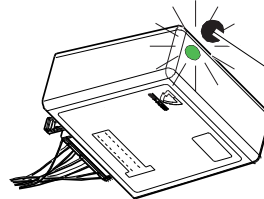
Standby / Sleepmode



Ignition OFF



Ignition ON



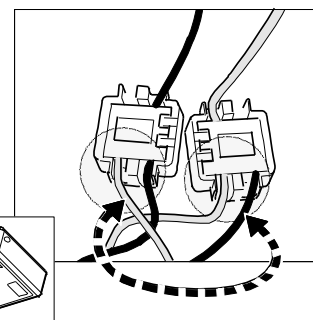
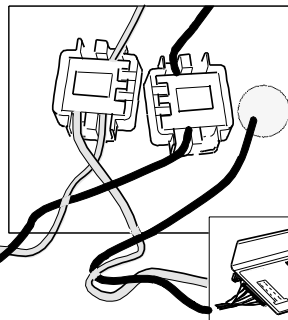
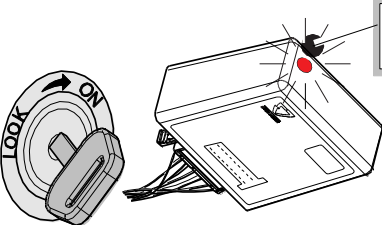
Ignition ON

Failure Support

CAN-Data Wire

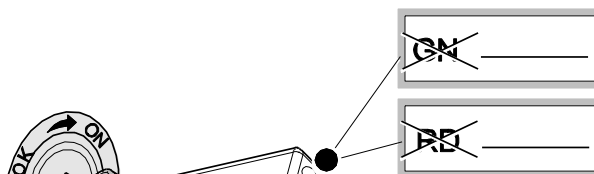
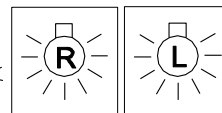


1x max. 5 min.

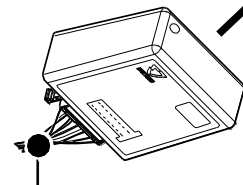
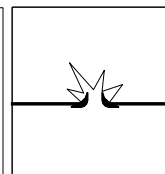
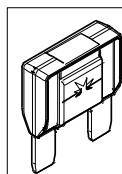
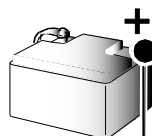
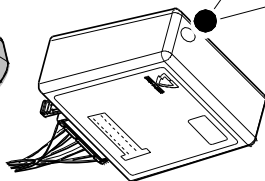
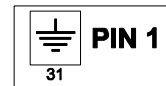


Ignition ON

Failure indicated by the module LED glowing red for a maximum of 5 minutes. If trailer connected the tail lights will also glow indicating failure of CAN signal.

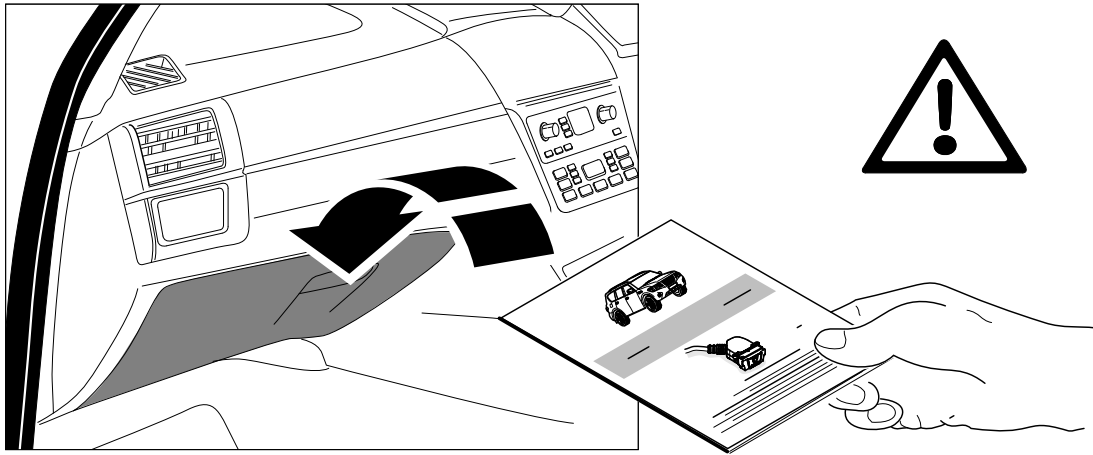


or



Ignition ON

LEFT BLANK



GB

Subject to change in terms of construction, equipment and colour, and may contain errors.
The information and illustrations are non-binding.

Scan this for our full E-Kit catalogue

