

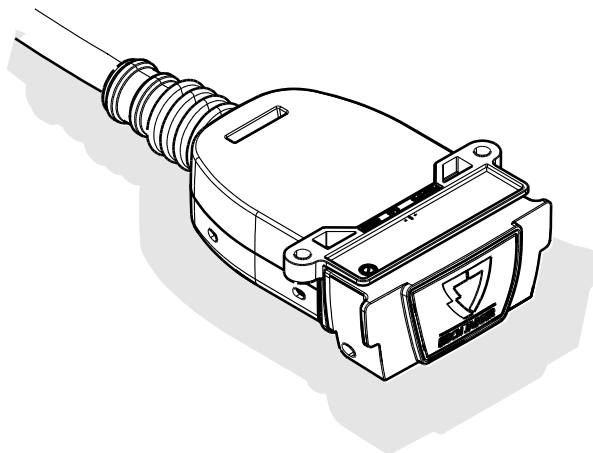
750043EJ

VW Amarok
With trailer preparation

10/10 >>



SCAN FOR
 LATEST
 INSTRUCTIONS



 <p>LED + BULB</p>	<p>BRAKE CONTROLLER PREPARED</p> 	<p>WATERPROOF SOCKET INCLUDED</p>  <p>WEATHERLOCK™</p>	<p>MADE TOUGH WITH FIBERCORE™ TECHNOLOGY</p> 	<p>SELF-DIAGNOSTIC CAN-BUS ECU</p>  <p>JaegerCANtrol™</p>
---	--	---	--	--

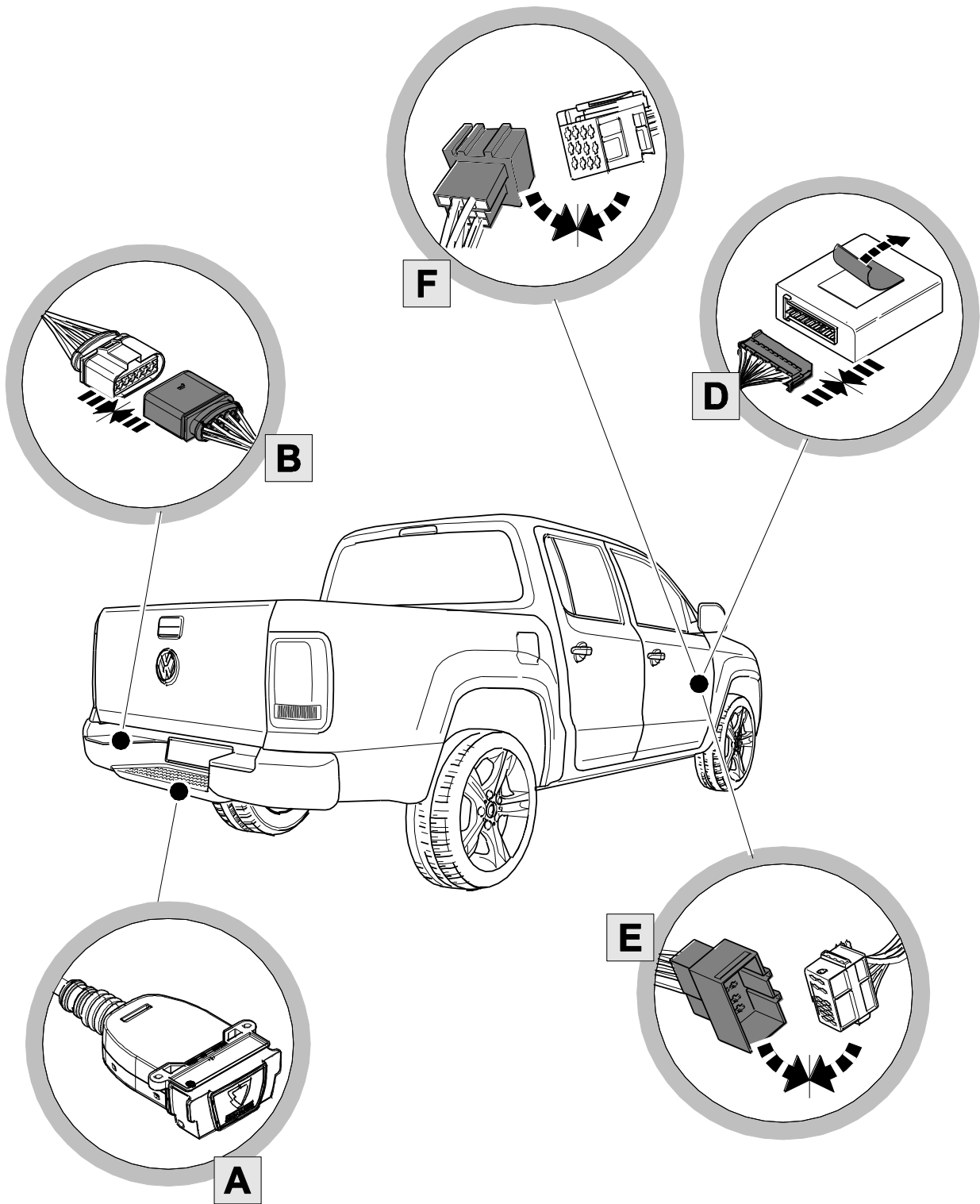
Reference:

The following information must be reviewed before beginning the assembly:

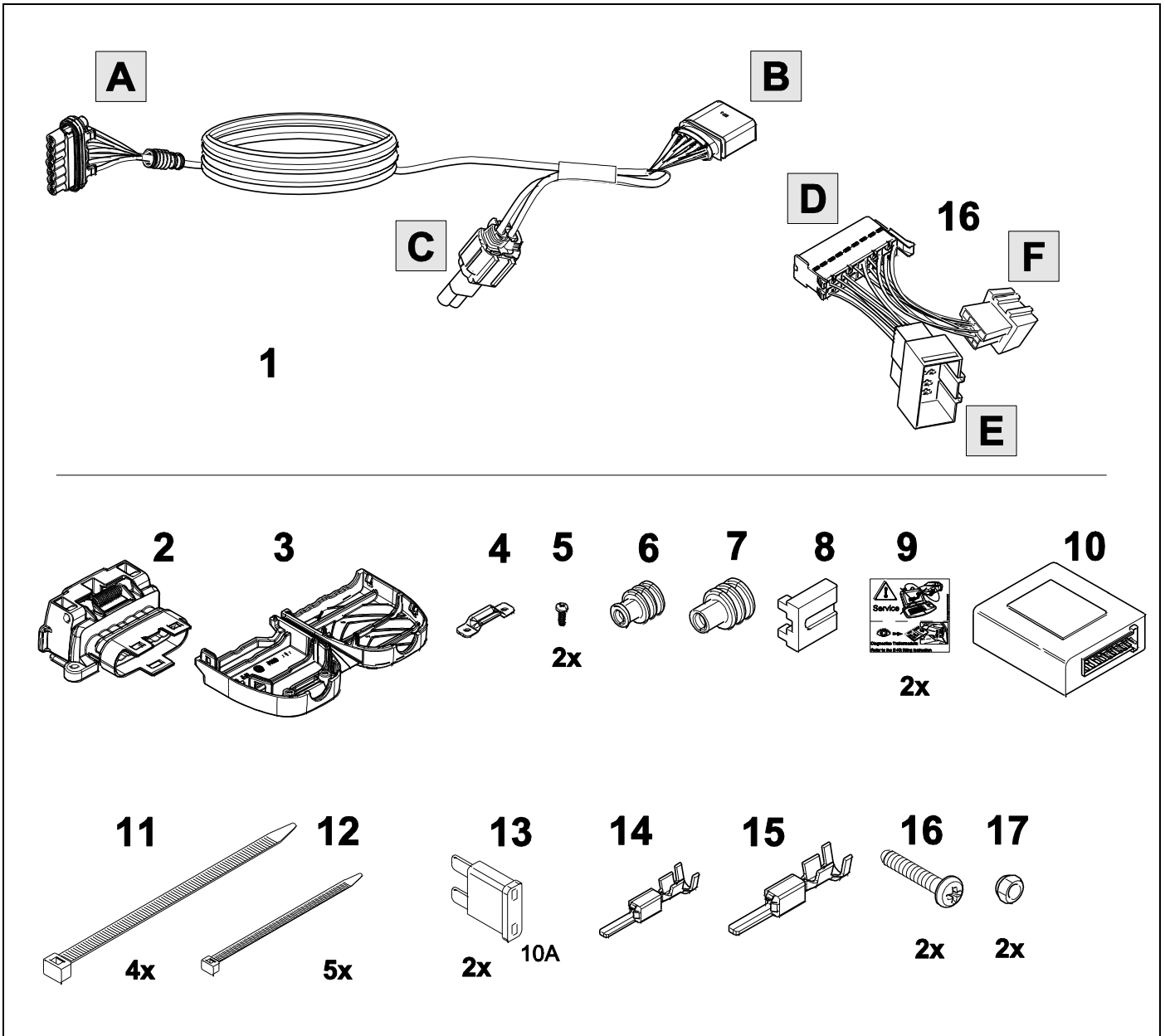
The installation instructions are to be thoroughly read.

The installation should be carried out by qualified personnel with the relevant technical knowledge. The vehicle manufacturers' current technical notices and information on retrofitting must be followed. The removal and replacement instructions found in the current repair manuals must be followed.

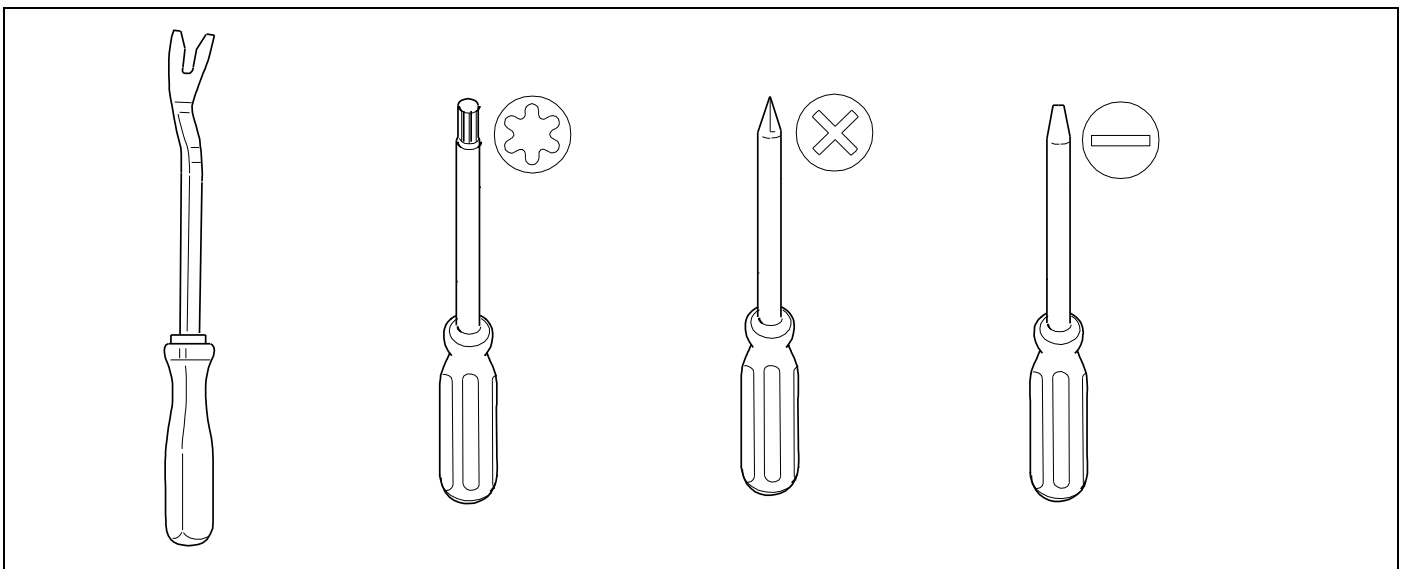
It must be ensured that the vehicle is technically suitable for the installation of a trailer hitch.



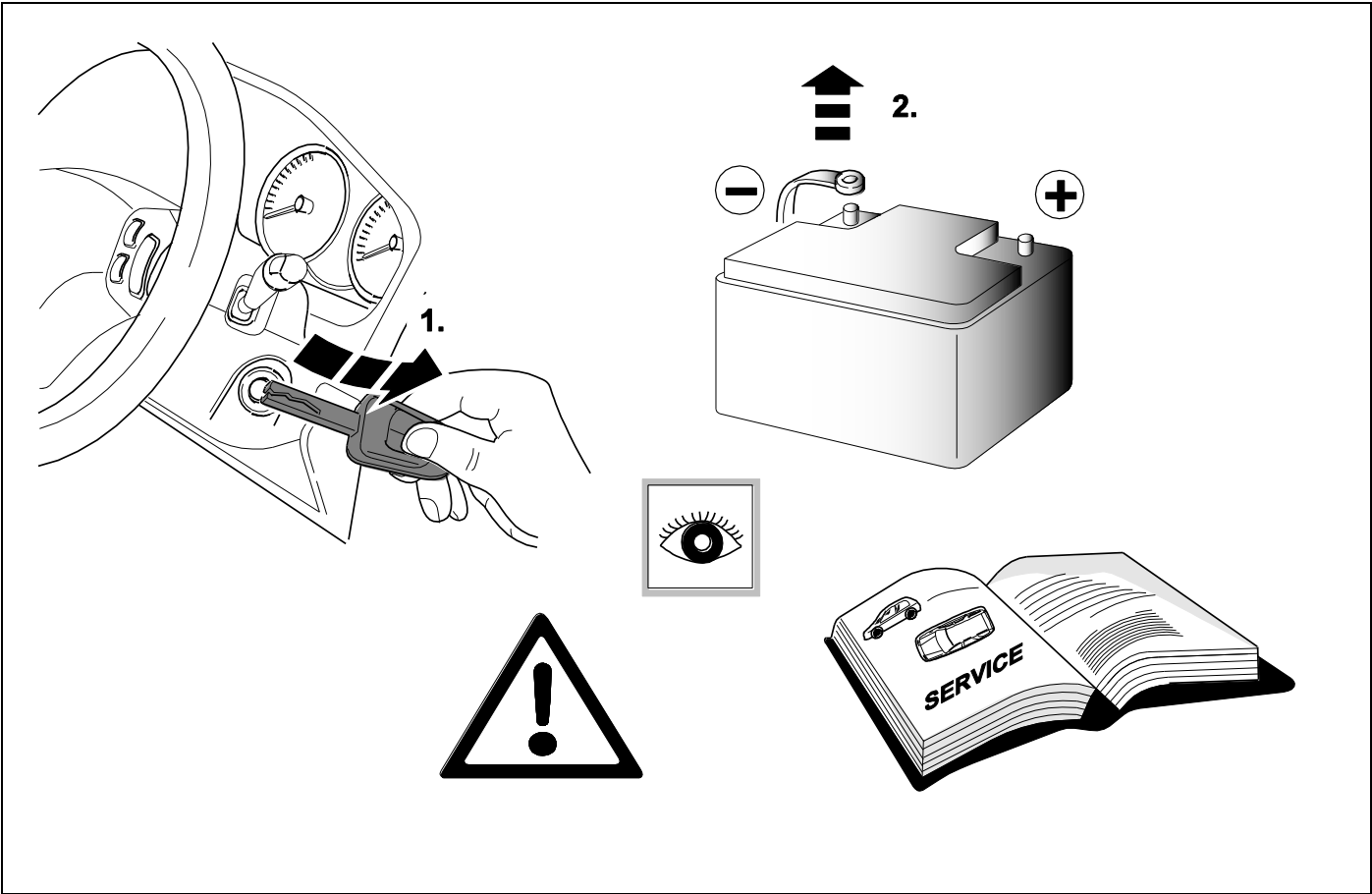
KIT



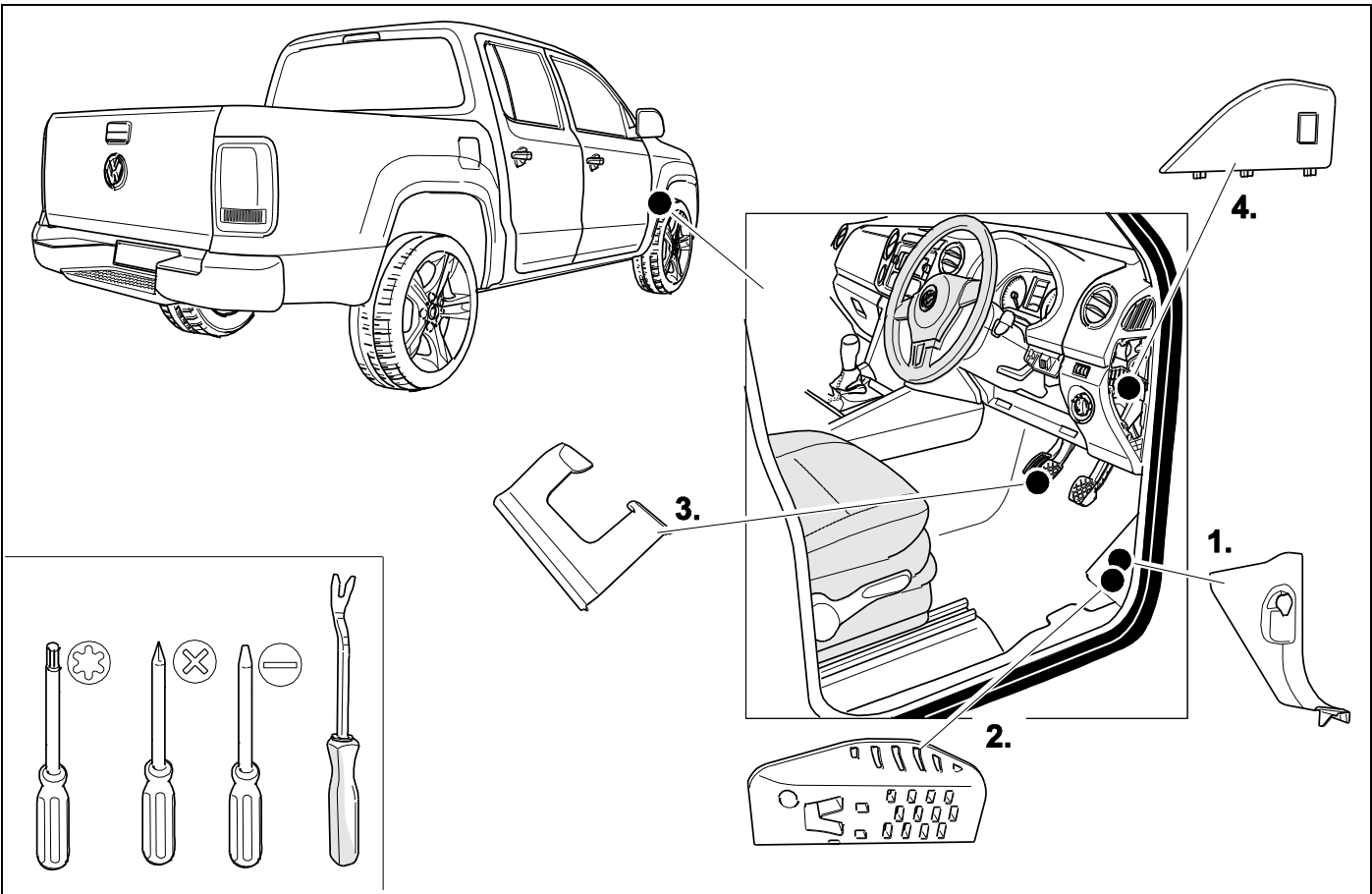
TOOLS



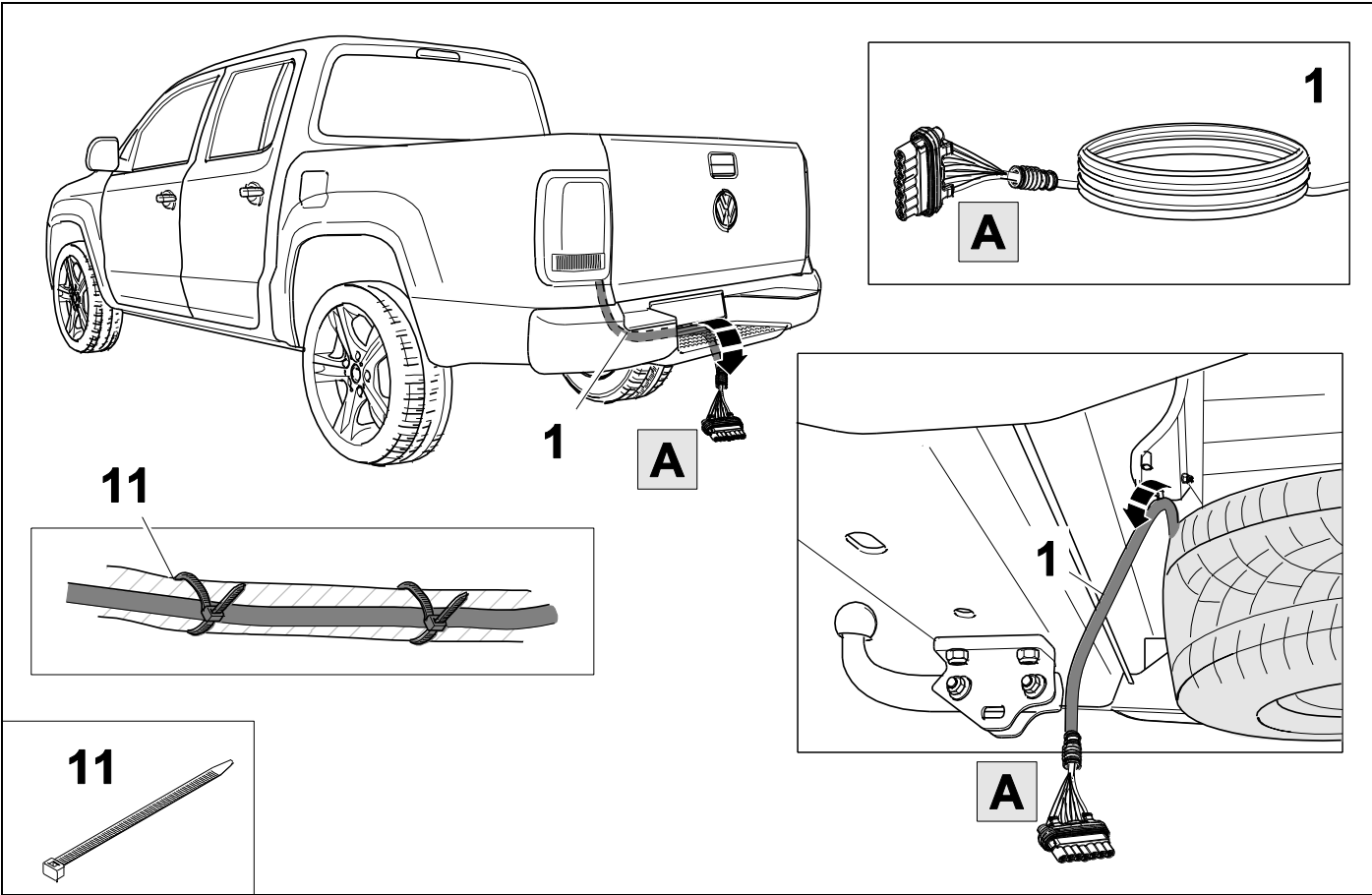
1



2



3

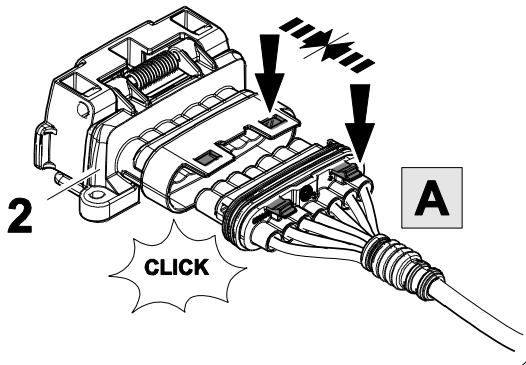


4

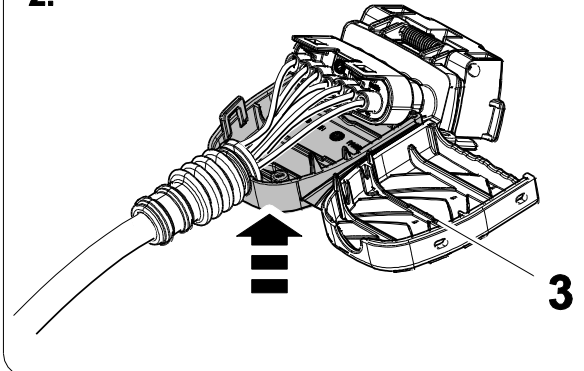


6

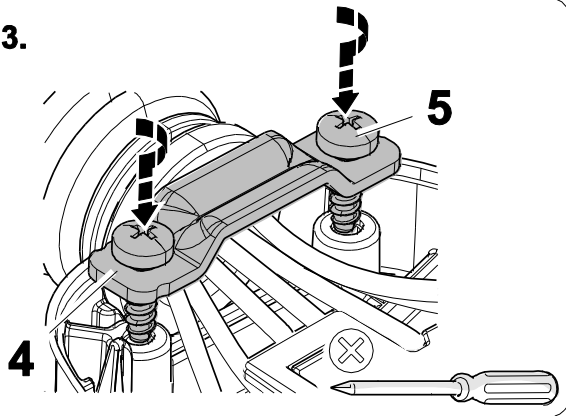
1.



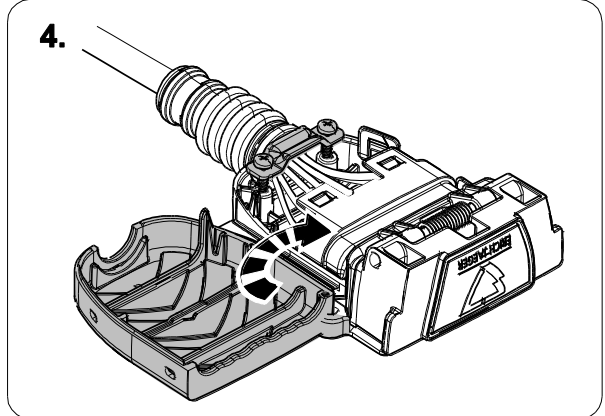
2.



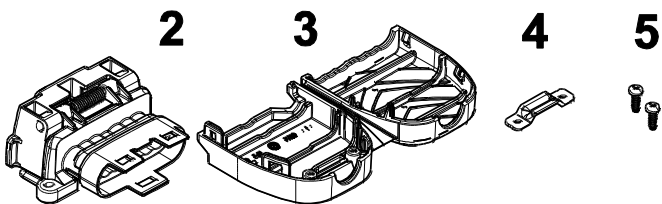
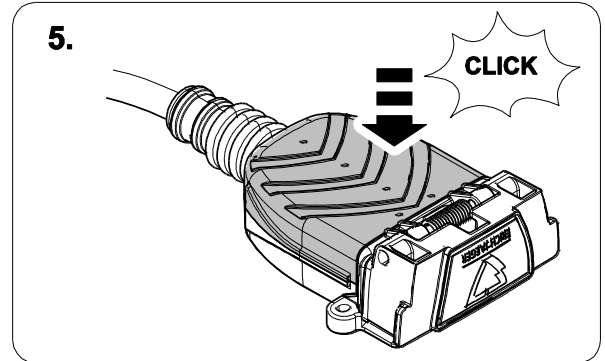
3.



4.



5.



5



SCAN to WATCH



17

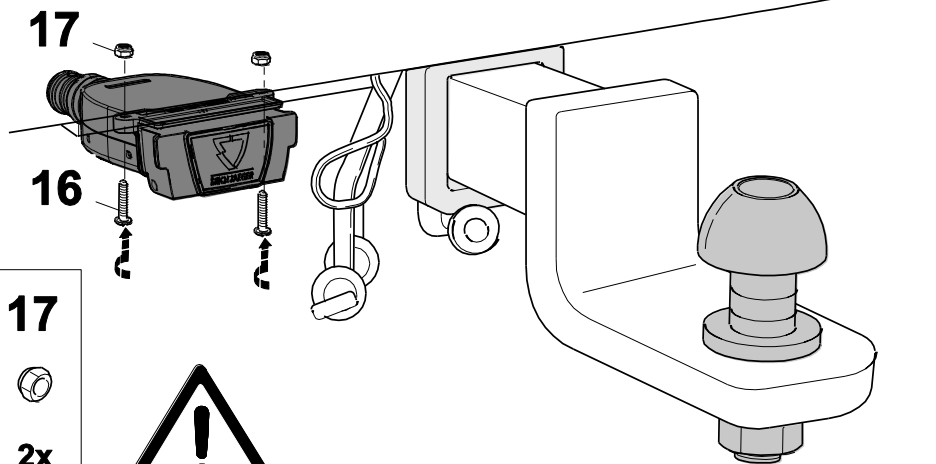
16

16

17

2x

2x




6

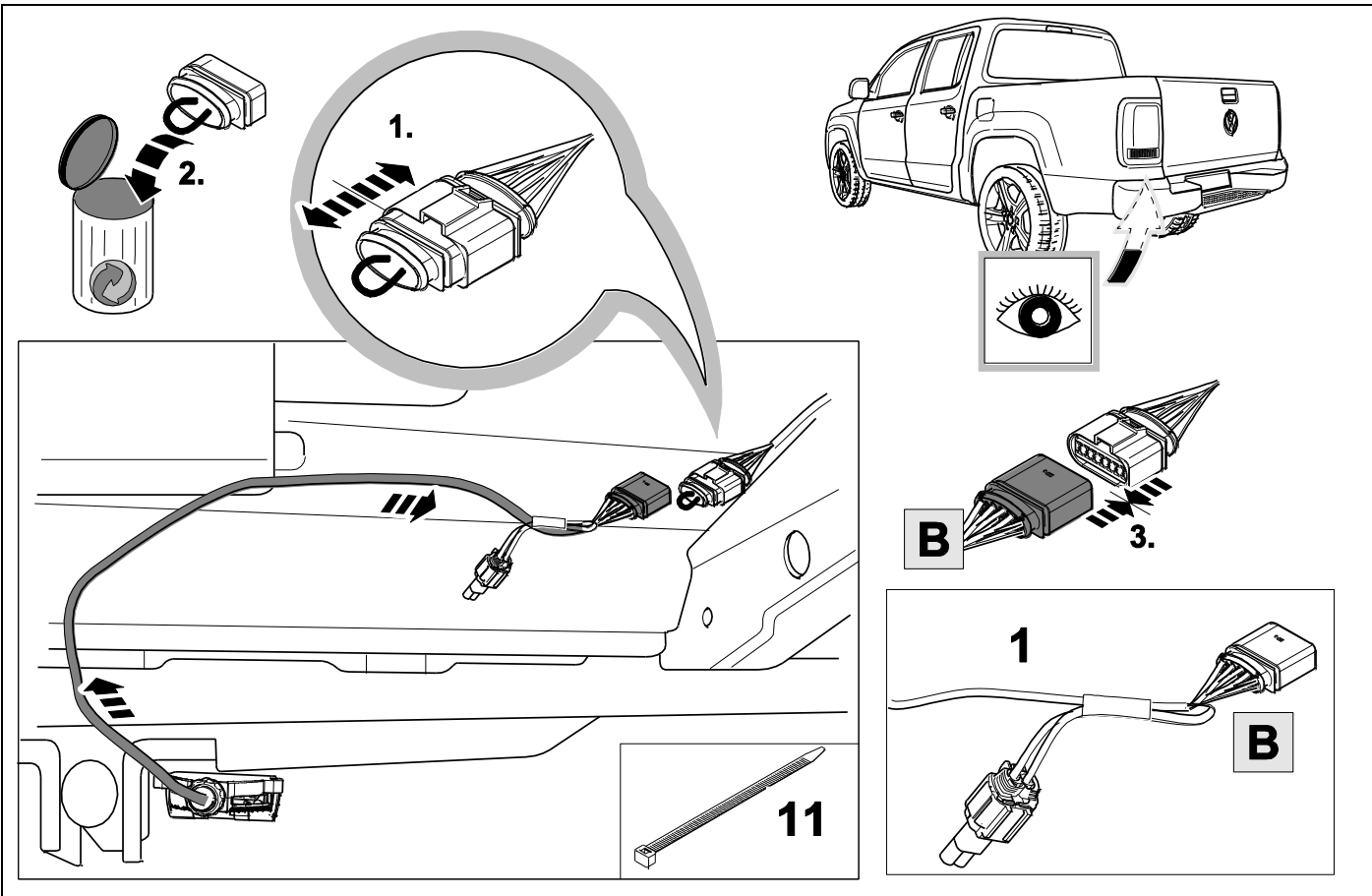
⇒ 7

1	ye	
2	bk	
3	wh	
4	gn	
5	bu	
6	rd	
7	bn	

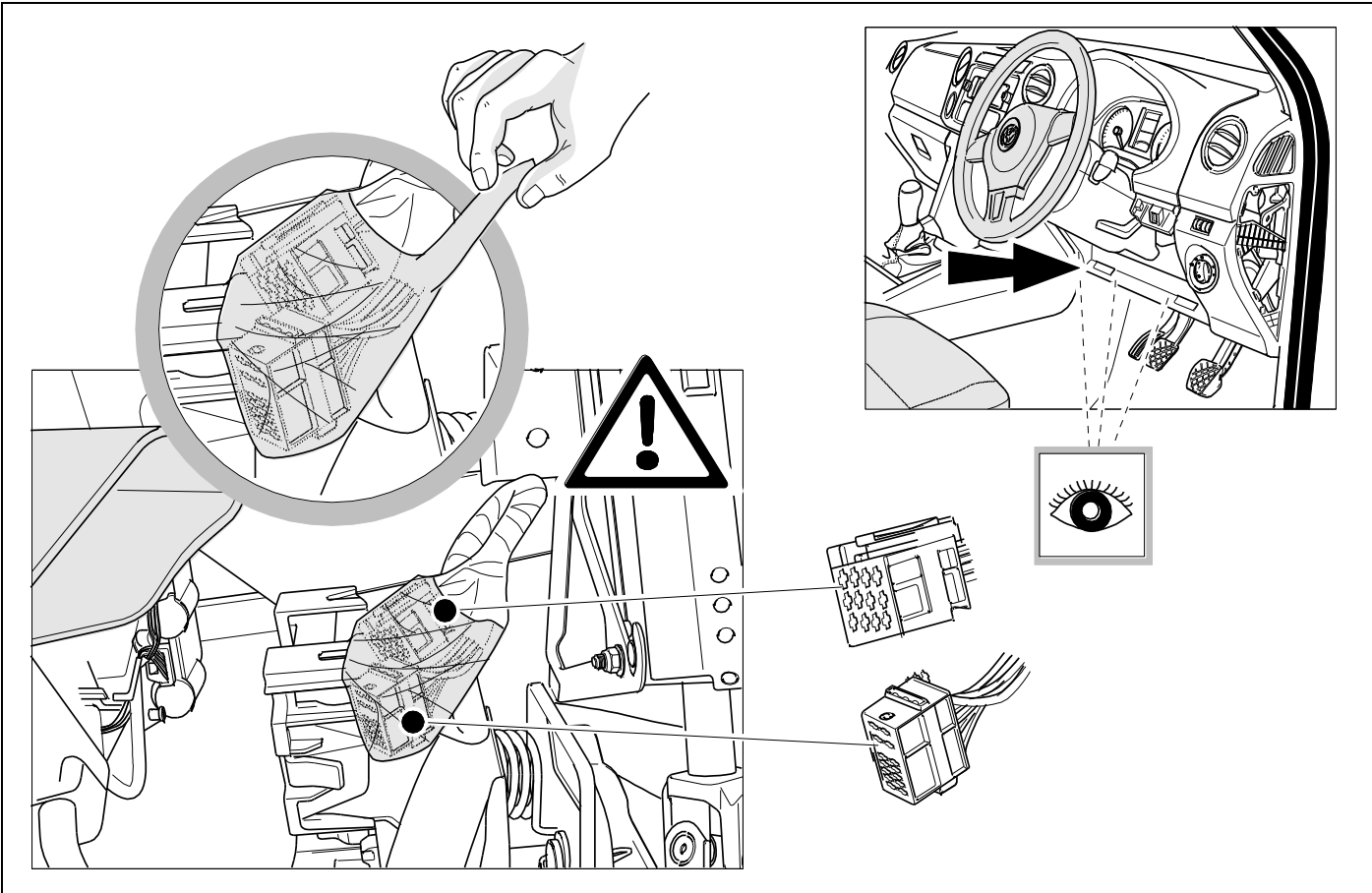
7	bk	wh	gy	gn	rd	bu	ye	bn	pu	or	no
---	----	----	----	----	----	----	----	----	----	----	----

	black	white	grey	green	red	blue	yellow	brown	purple	orange	not occupied
---	-------	-------	------	-------	-----	------	--------	-------	--------	--------	--------------

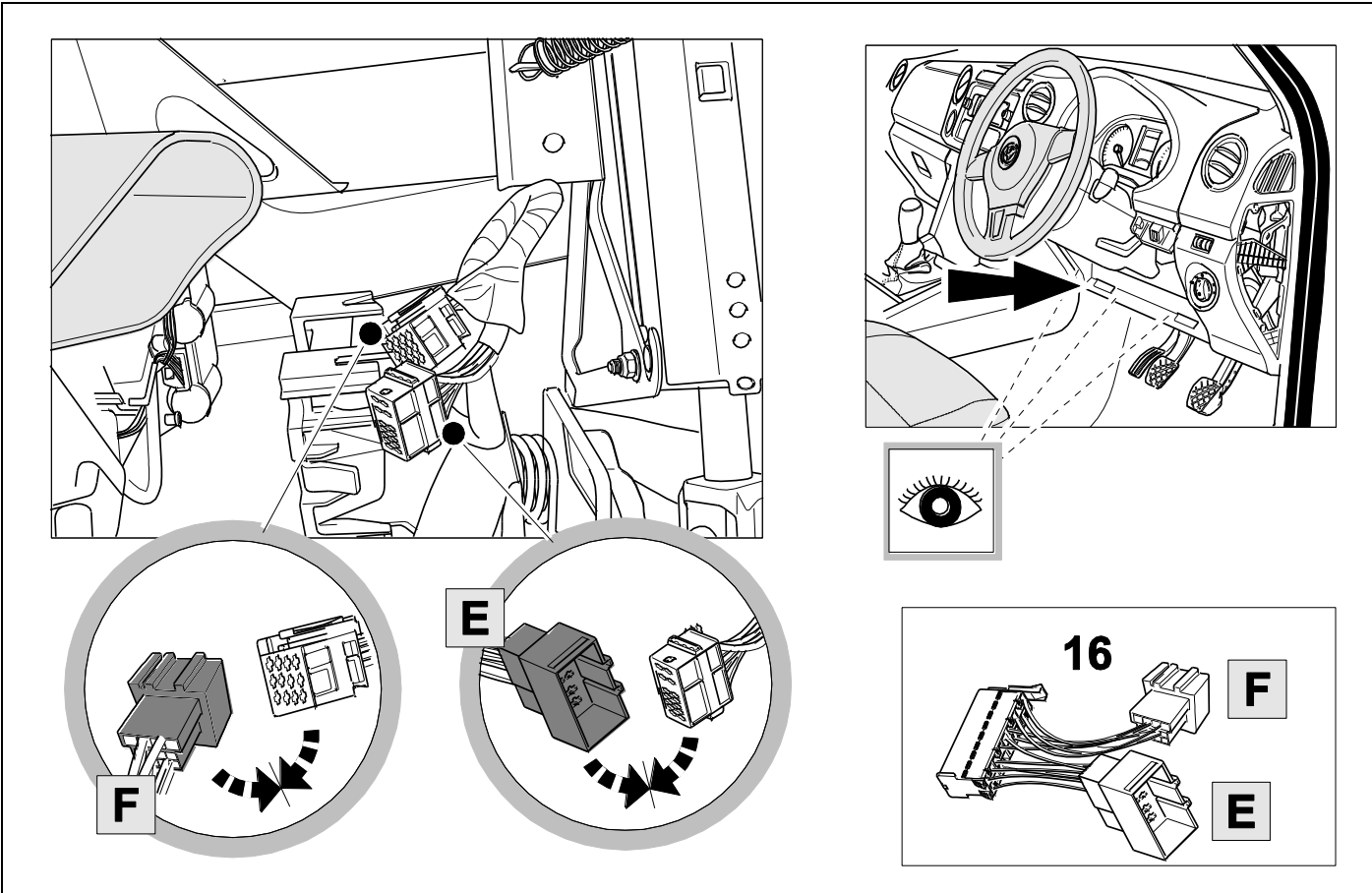
8



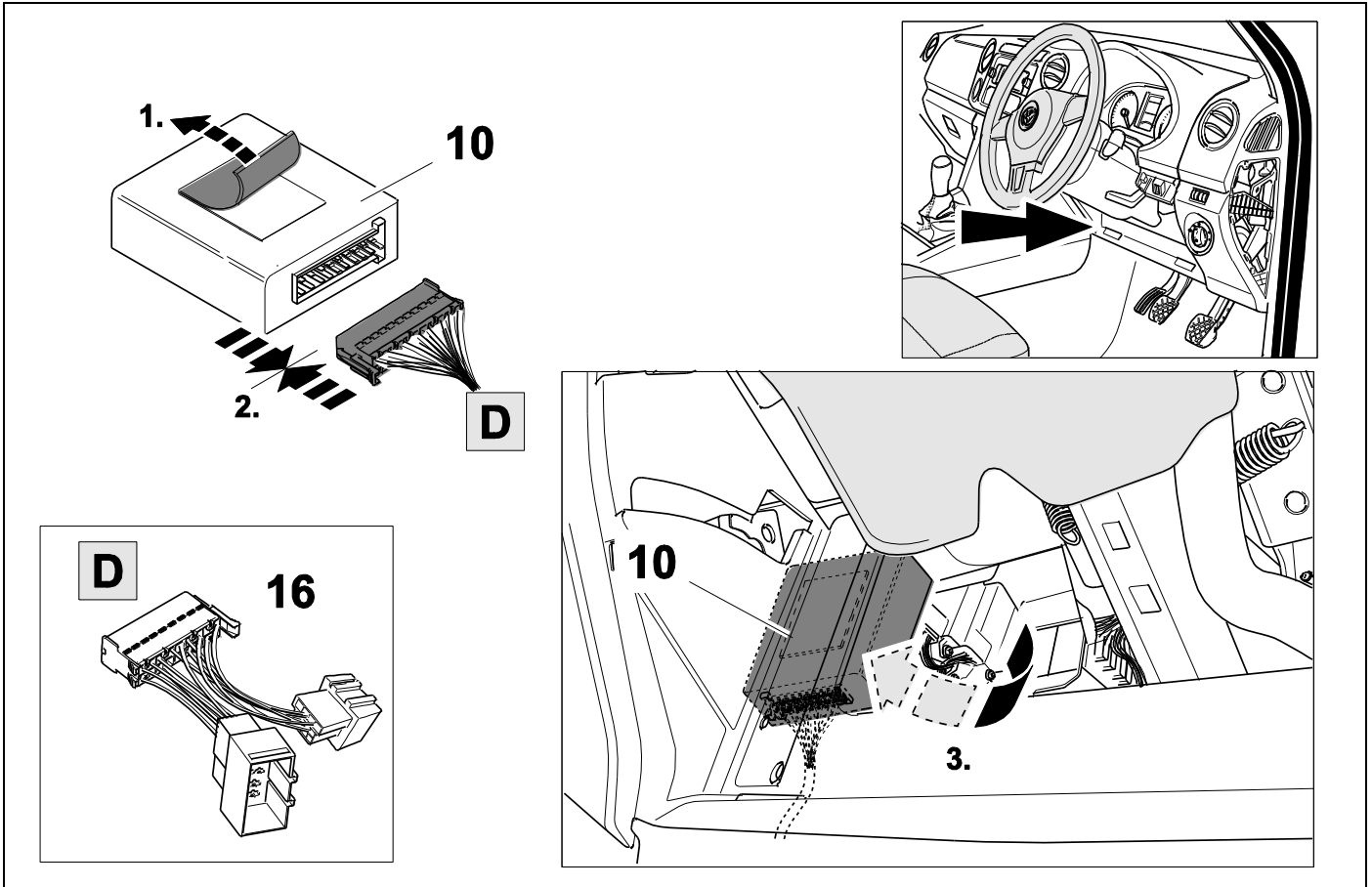
9



10



11



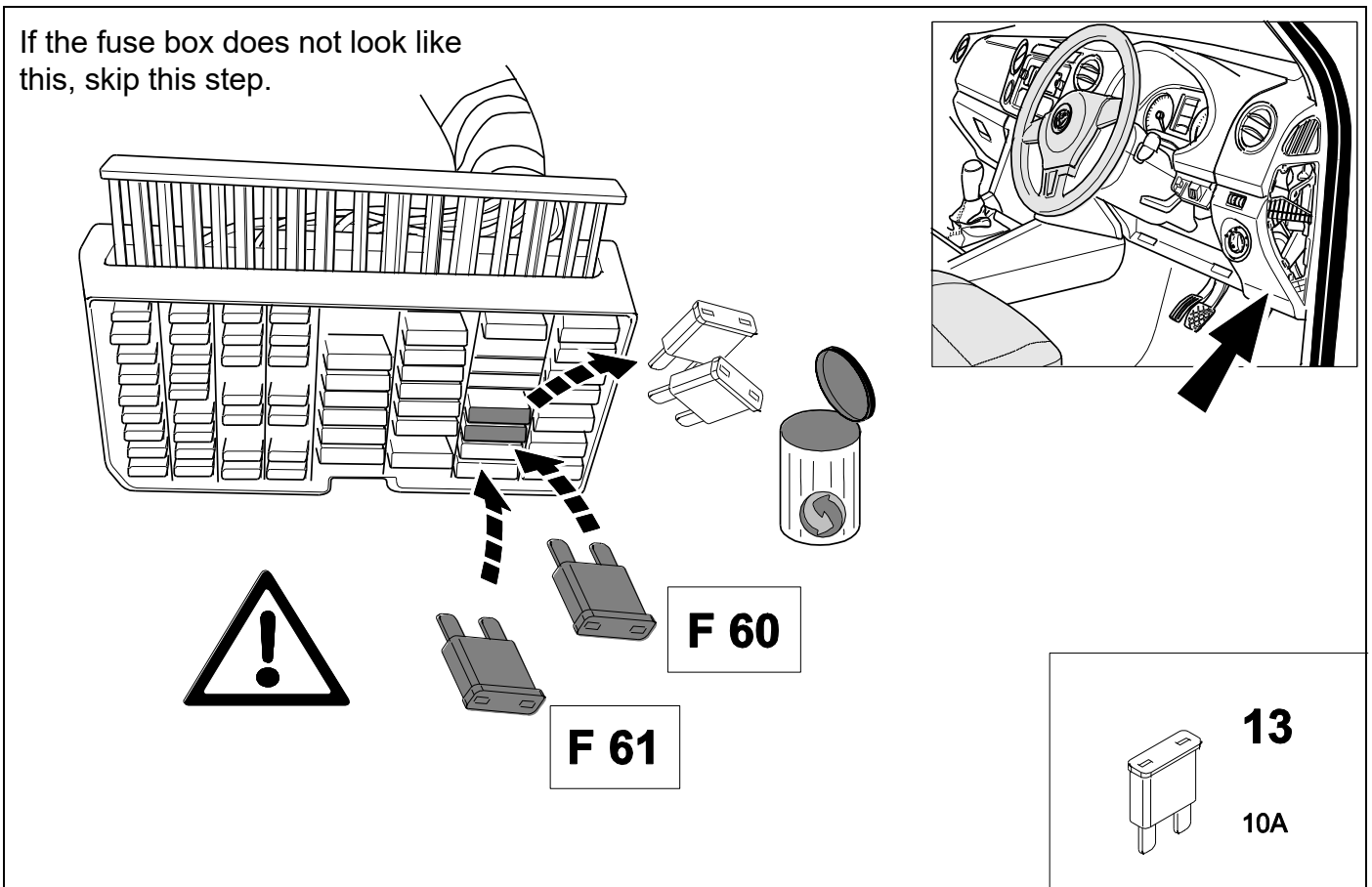
12

Skip this step for face lift models with the following VIN and all after
VW1ZZZ2HZ**D**0000000 OR VW1ZZZ2HZ**E**0000000



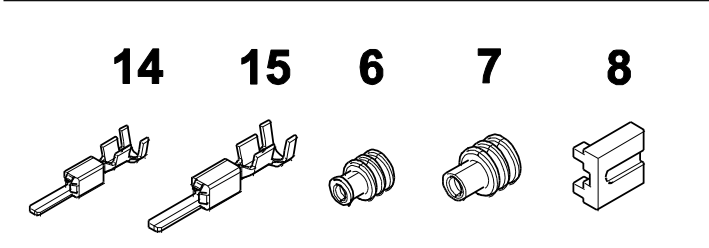
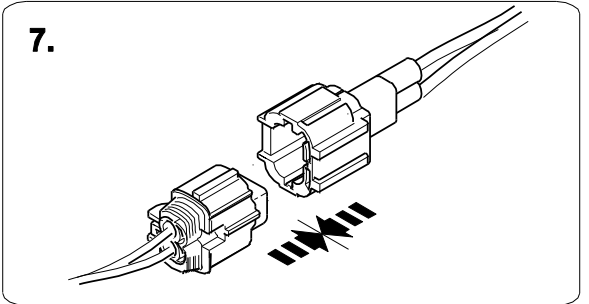
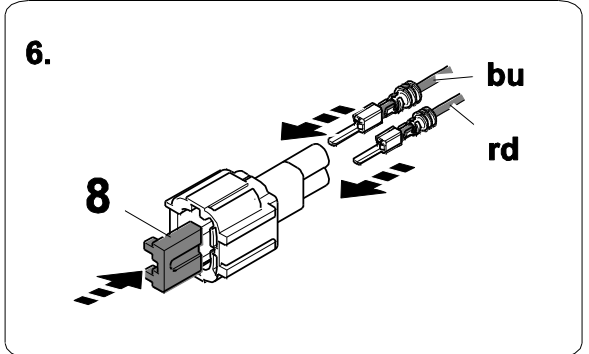
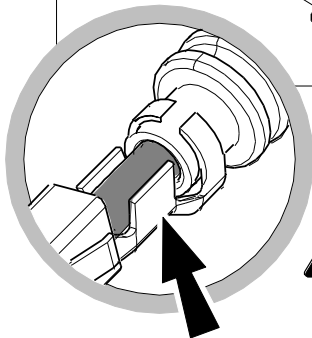
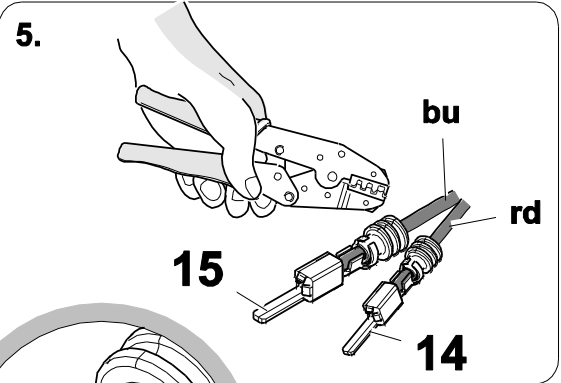
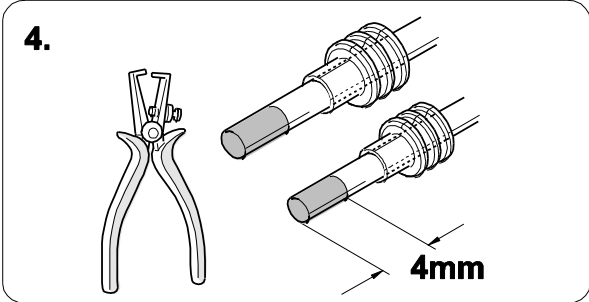
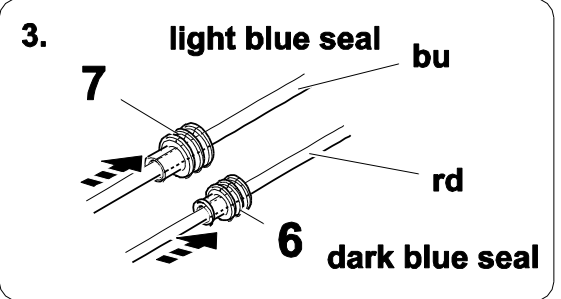
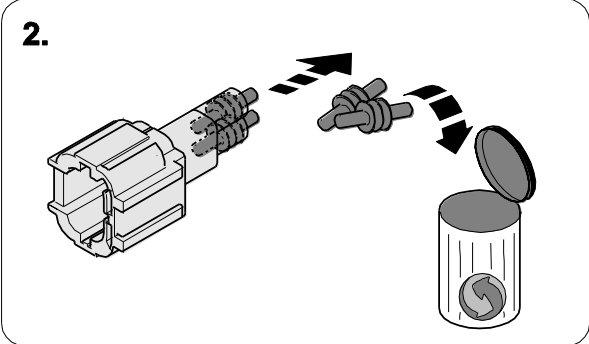
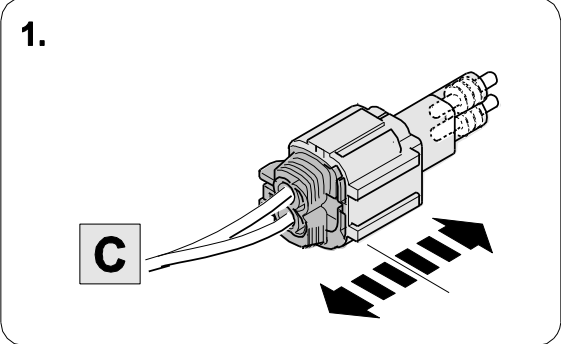
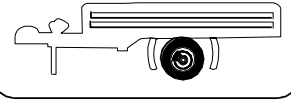
17

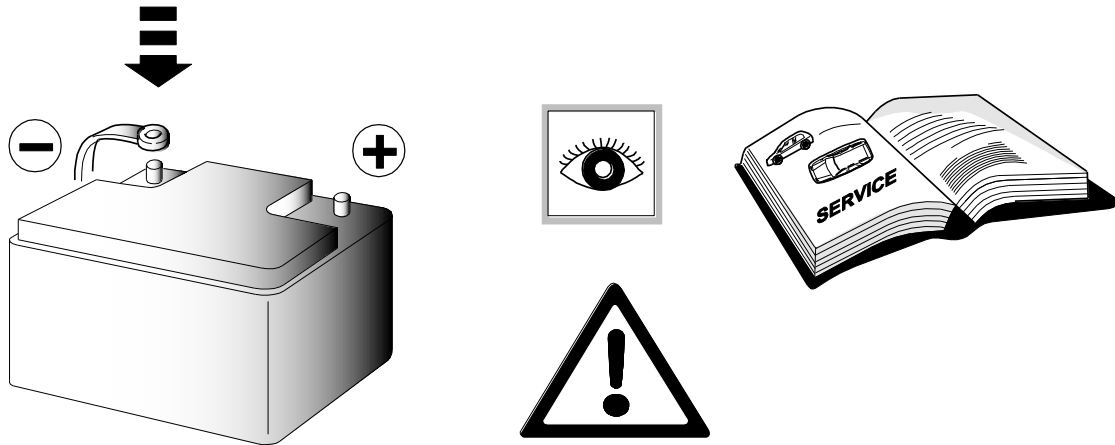
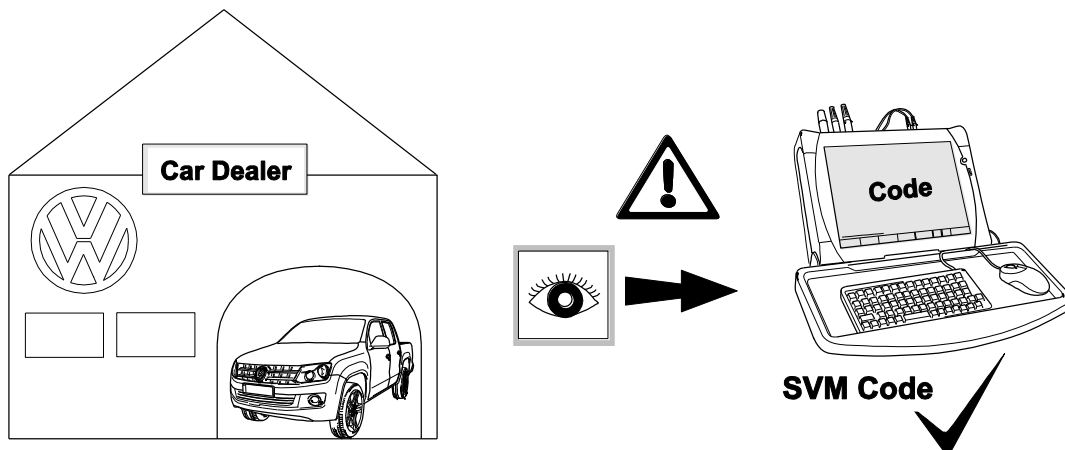
If the fuse box does not look like this, skip this step.



Trailer Brake Preparation

**BRAKE
CONTROLLER
PREPARED**



14**15**

The vehicle can have 2 types of PDC (Parking Sensors) fitted. Some cars therefore need a special code for automatic PDC deactivation depending on the PDC module fitted. After fitting the electrical installation kit, an online coding or a documentation update must be performed using ODIS as follows:

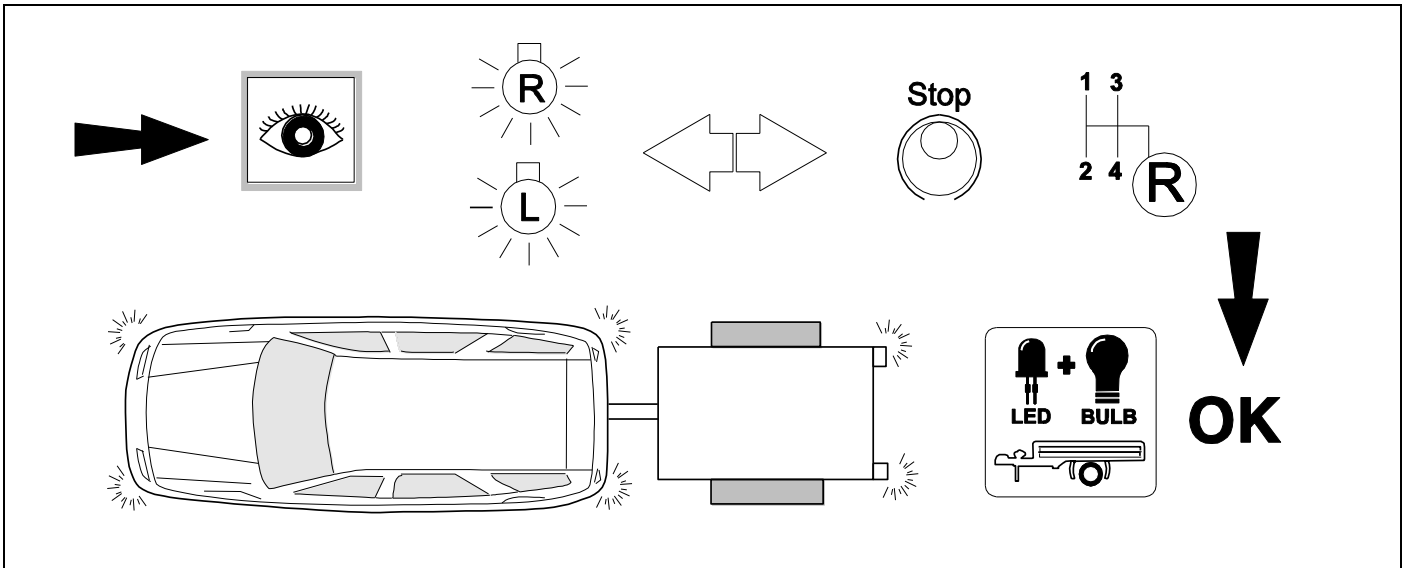
- **Start ODIS diagnostic System**
- **Start "Diagnostic" Function**
- **Select "Special Functions"**
- **Select "Adapt SW"**
- **Confirm with "Perform Test"**
- **Select "Perform upgrading and retrofitting solutions"**
- **Enter and confirm SVM-Code in the input window. Code 31495**
- **Follow the instructions of the diagnostic system.**

For other diagnosis systems follow their specific instructions (local / offline):

- VCDS
- Hella Gutmann
- SP Diagnostic
- Westfalia Auto Code

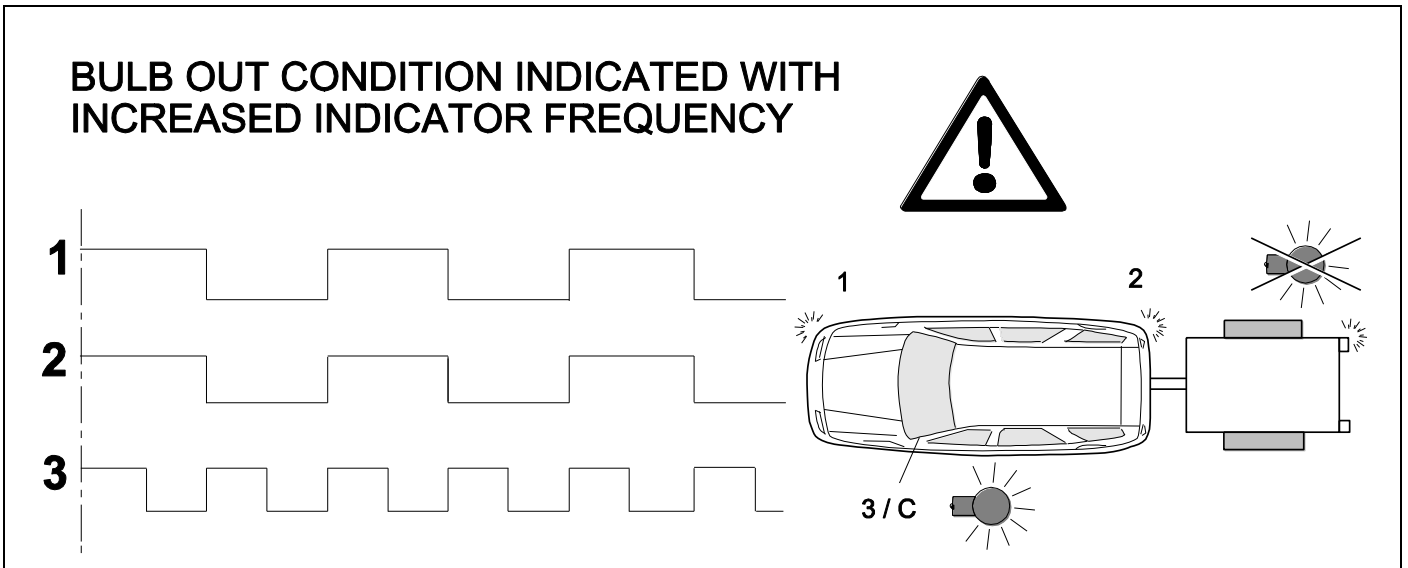
16

CHECK ALL LIGHTING FUNCTIONS



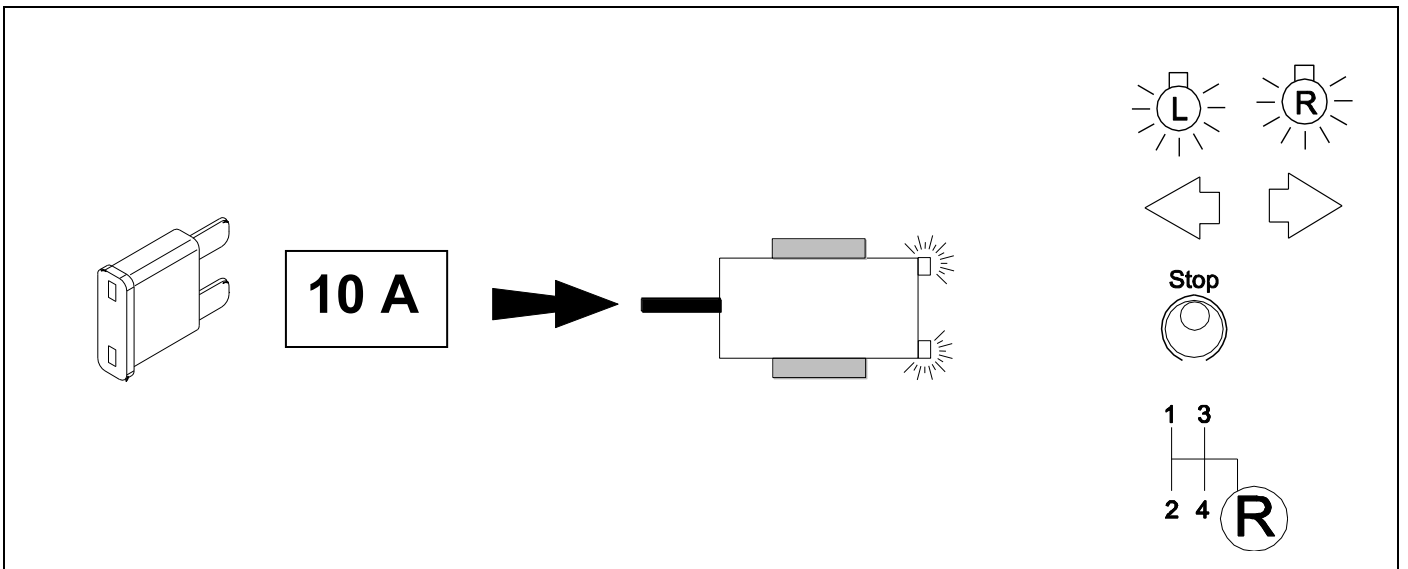
17

CHECK BULB OUT DETECTION



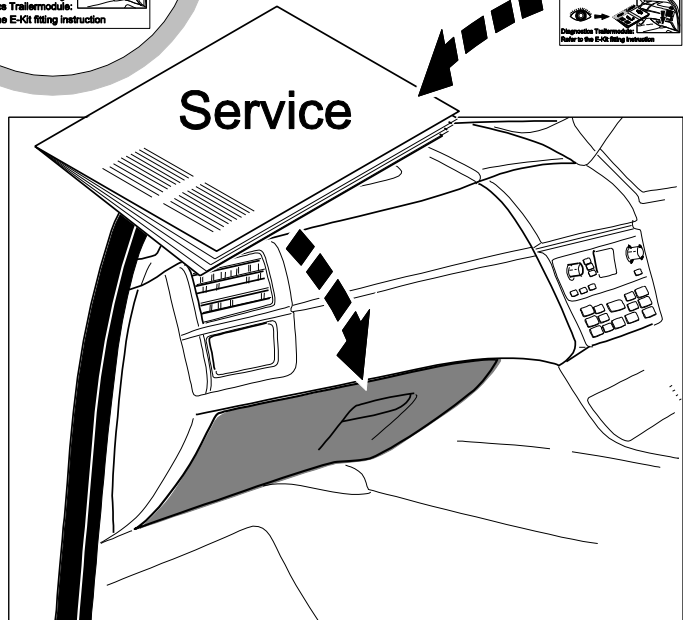
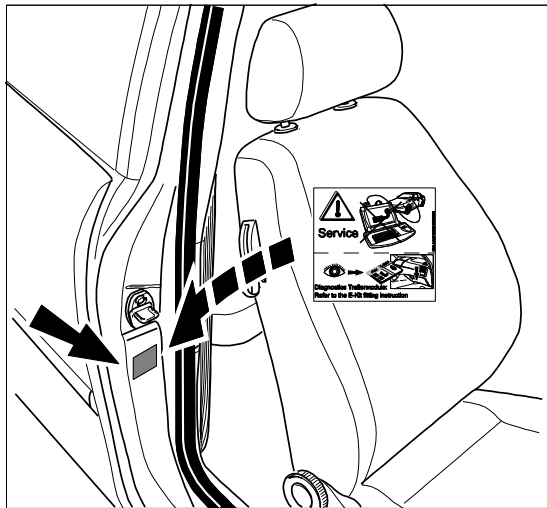
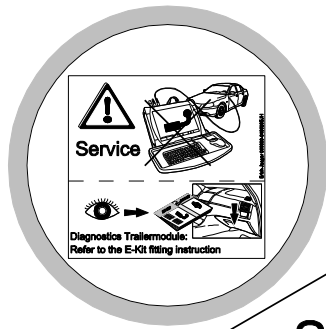
18

👁️ ⇒ 12



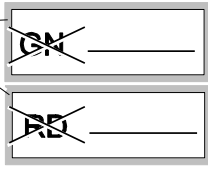
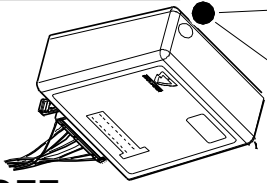
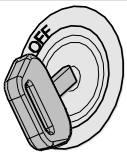


2x 9



Status LED for self-diagnosis

Operation Support



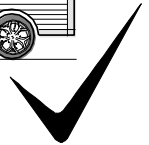
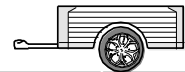
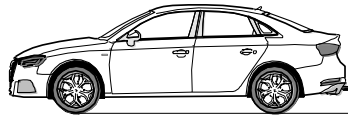
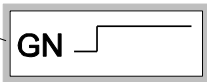
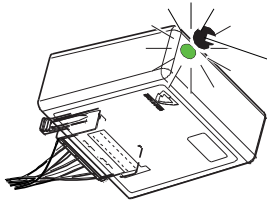
No CAN-Data =



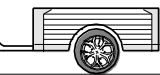
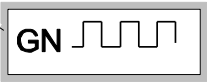
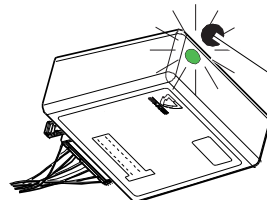
Standby / Sleepmode



Ignition OFF



Ignition ON



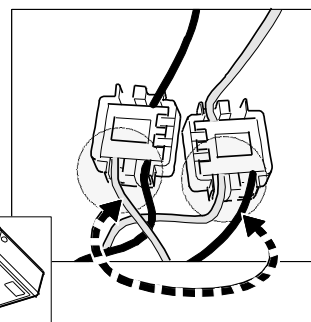
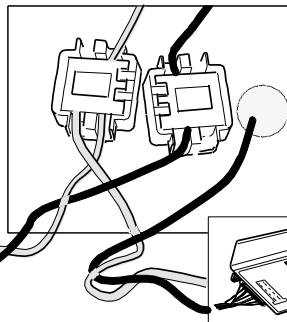
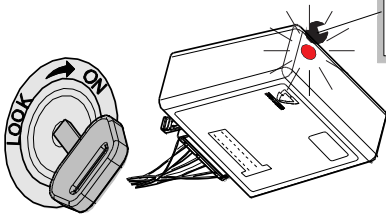
Ignition ON

Failure Support

CAN-Data Wire

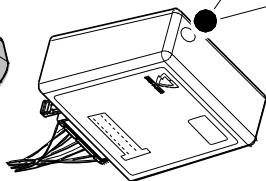
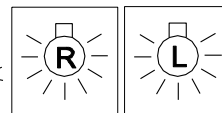


1x max. 5 min.

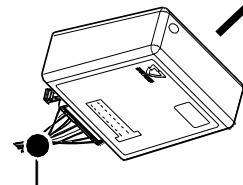
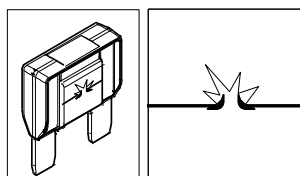
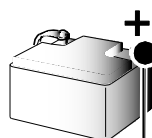
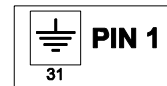


Ignition ON

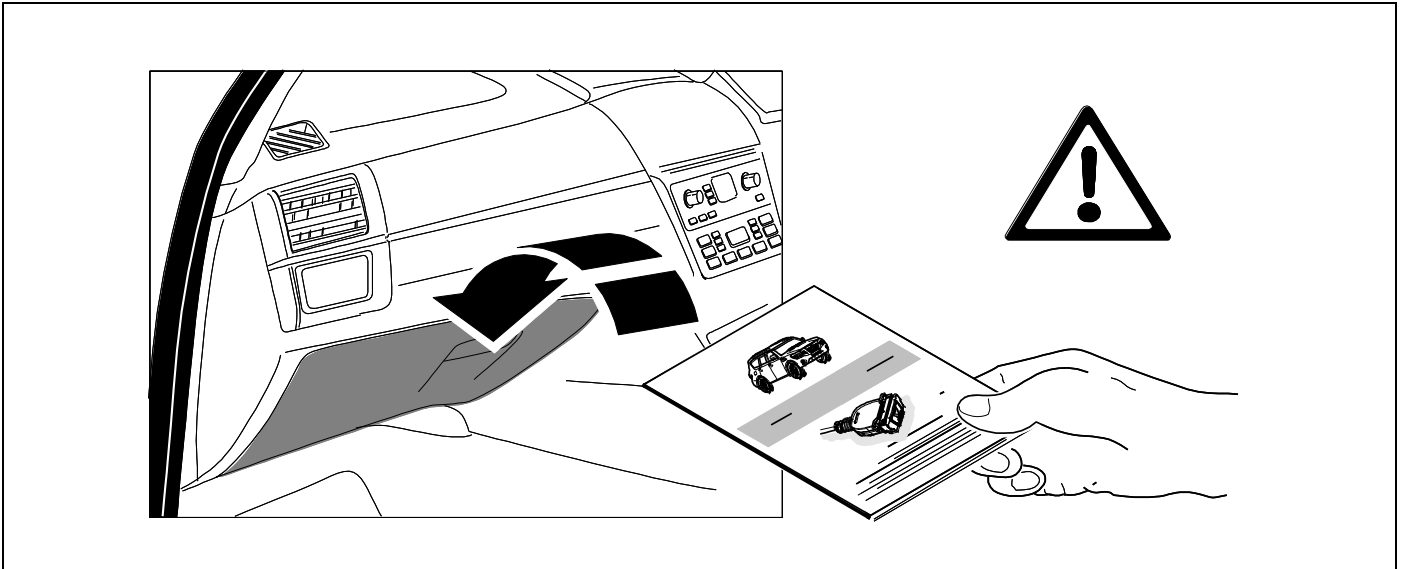
Failure indicated by the module LED glowing red for a maximum of 5 minutes. If trailer connected the tail lights will also glow indicating failure of CAN signal.



or



Ignition ON



Subject to change in terms of construction, equipment and colour, and may contain errors.
The information and illustrations are non-binding.