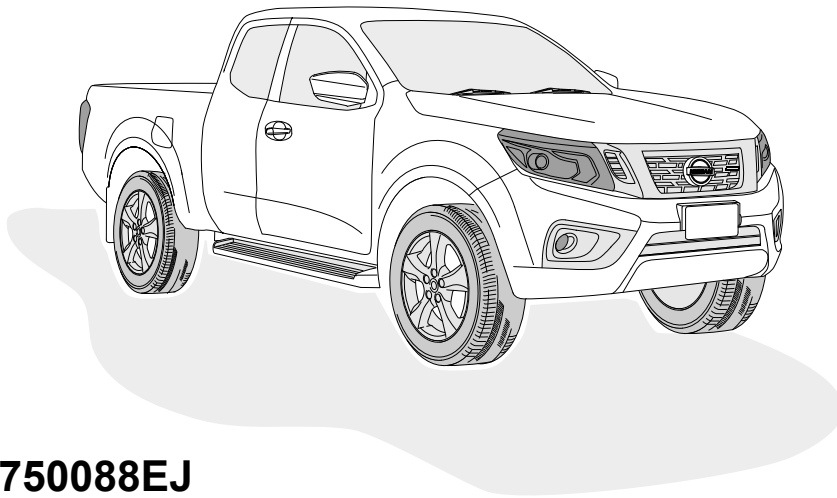


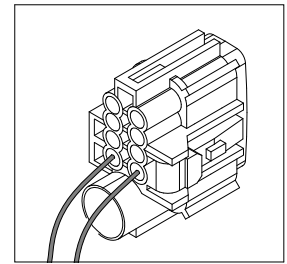


ERICH JAEGER

Installation instructions



750088EJ



**Vehicles without
Power Supply Preparation
Use optional extension kit.
To be ordered separately**

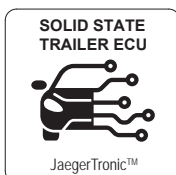
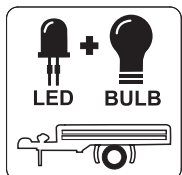
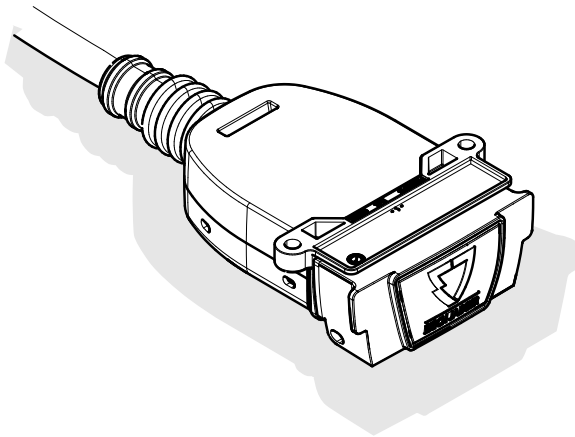
721149

NISSAN Navara

01/16 >>



SCAN FOR
LATEST
INSTRUCTIONS



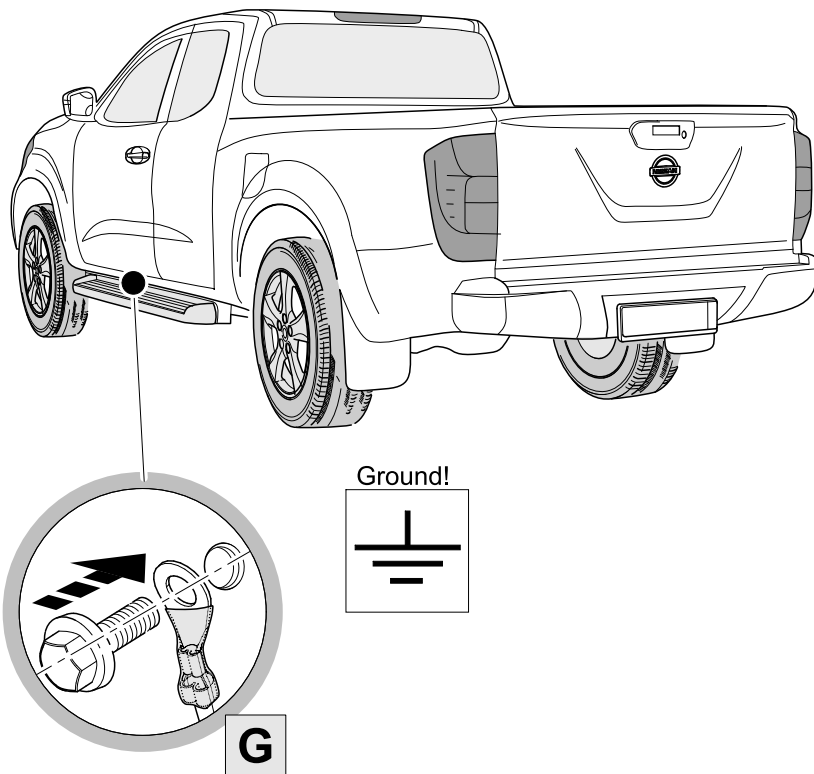
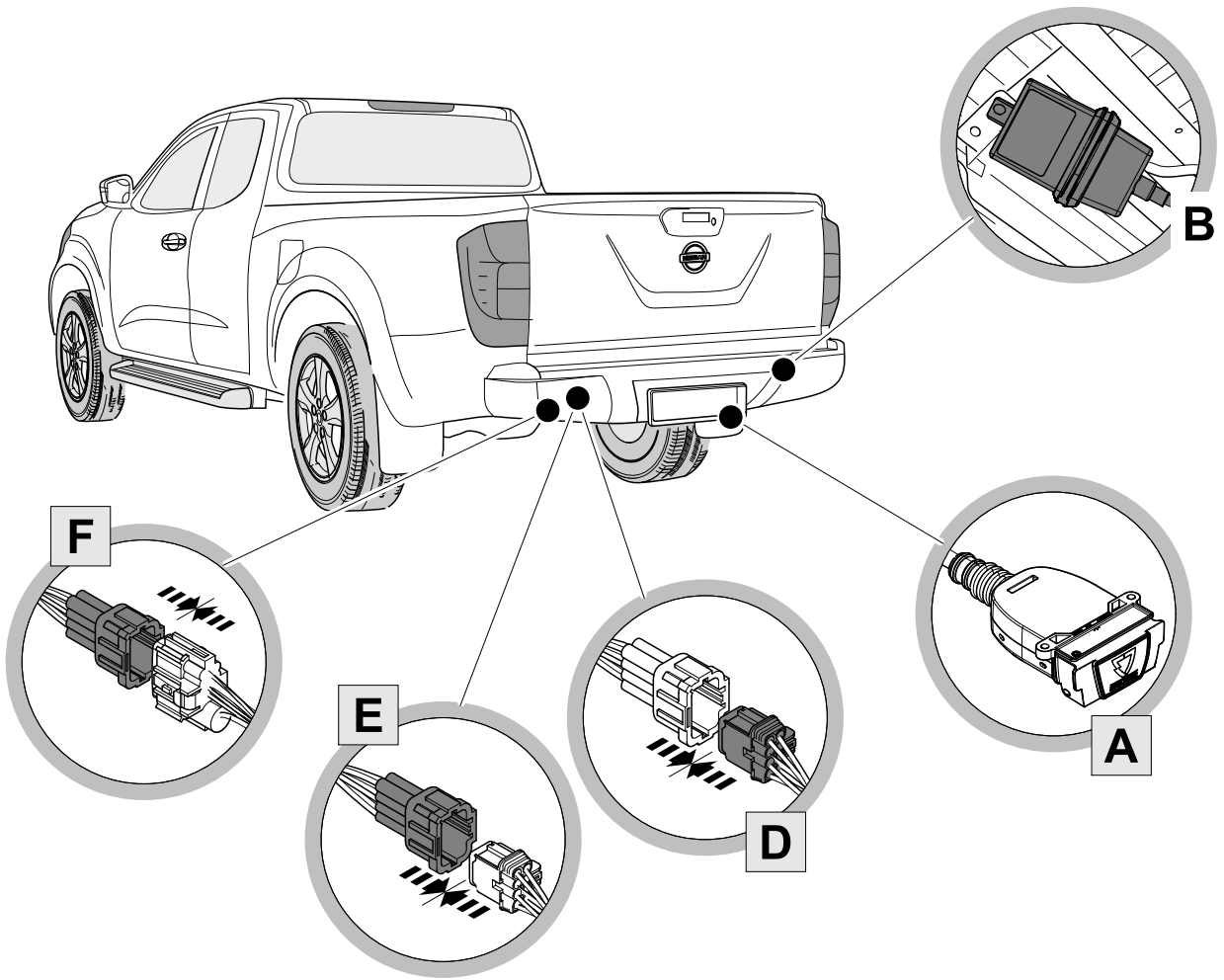
Reference:

The following information must be reviewed before beginning the assembly:

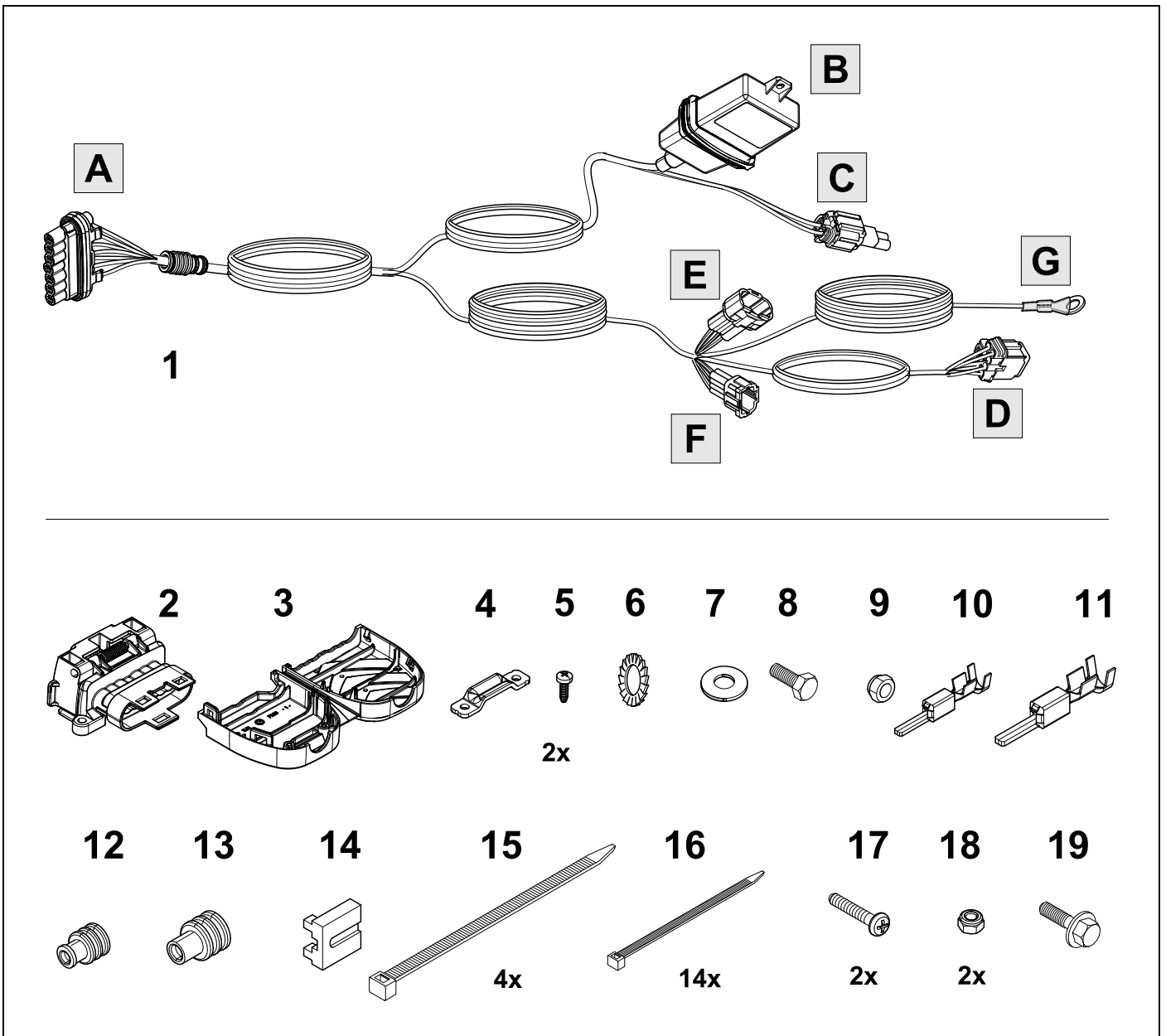
The installation instructions are to be thoroughly read.

The installation should be carried out by qualified personnel with the relevant technical knowledge. The vehicle manufacturers' current technical notices and information on retrofitting must be followed. The removal and replacement instructions found in the current repair manuals must be followed.

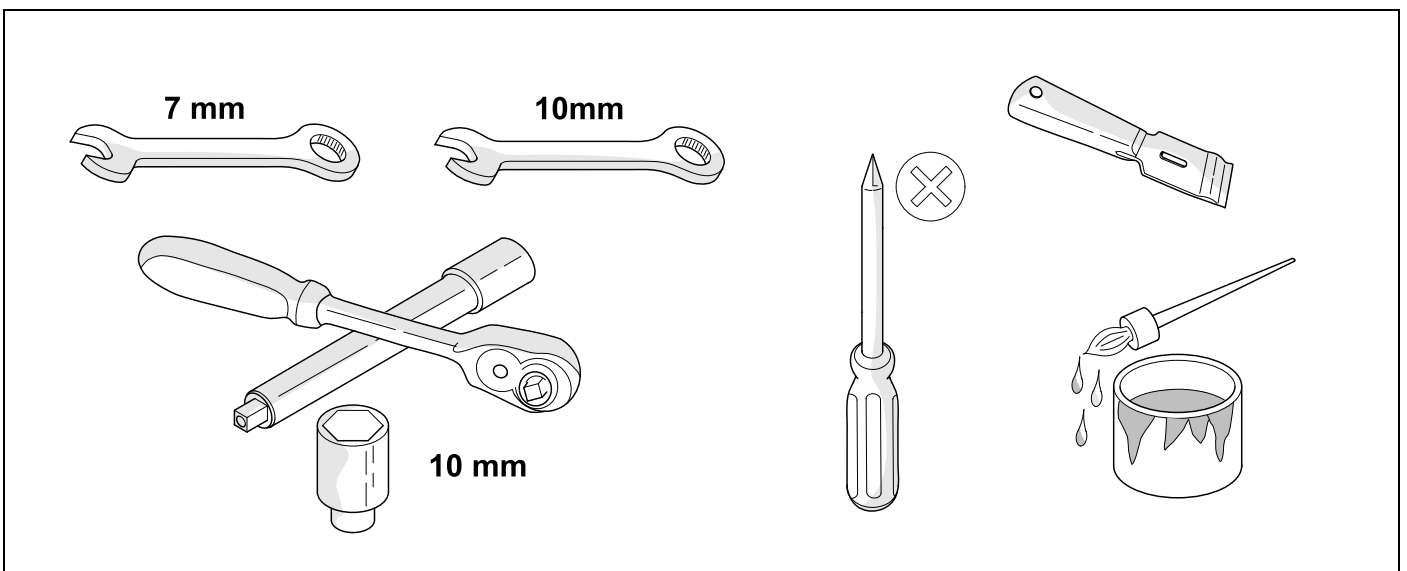
It must be ensured that the vehicle is technically suitable for the installation of a trailer hitch.



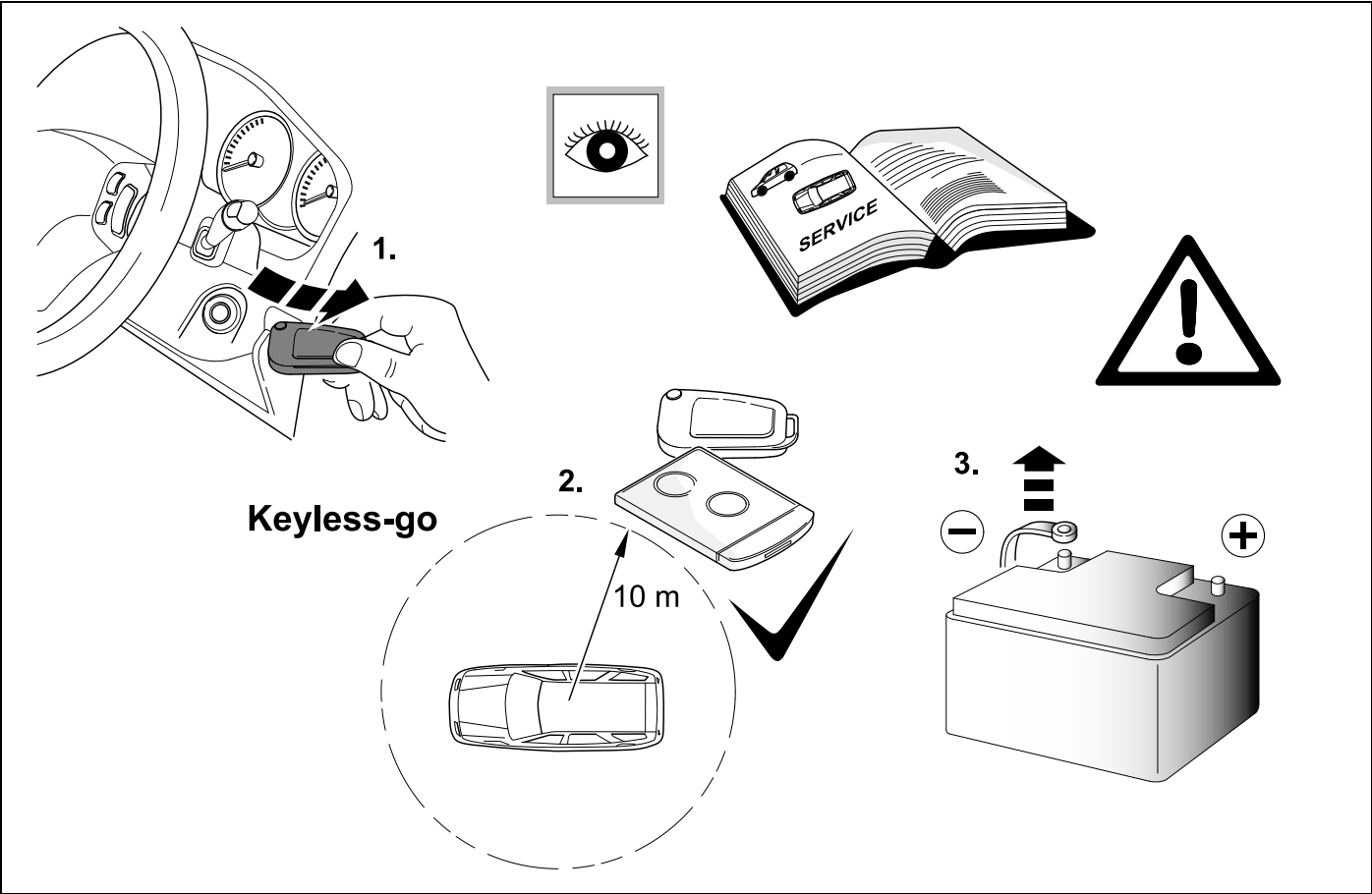
KIT



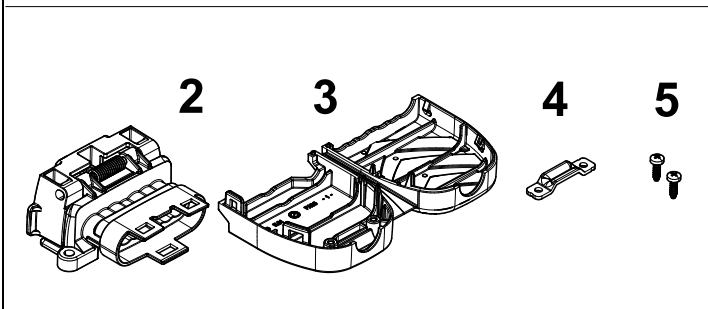
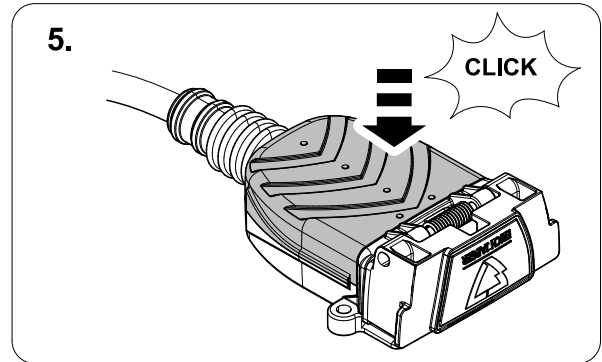
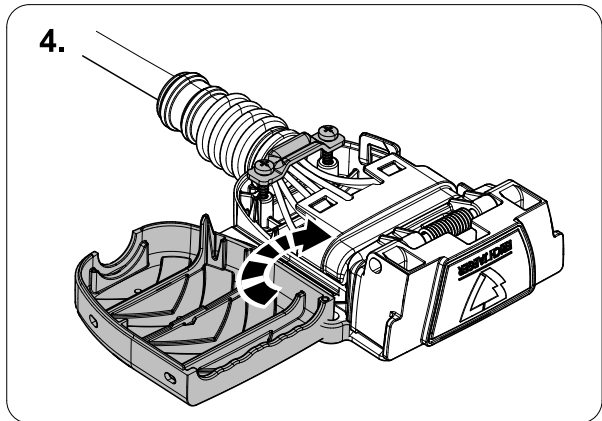
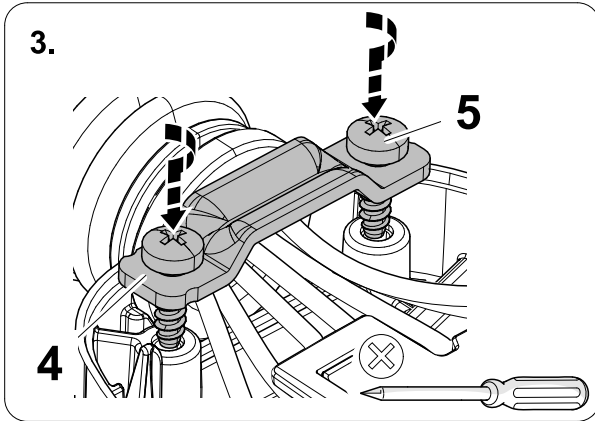
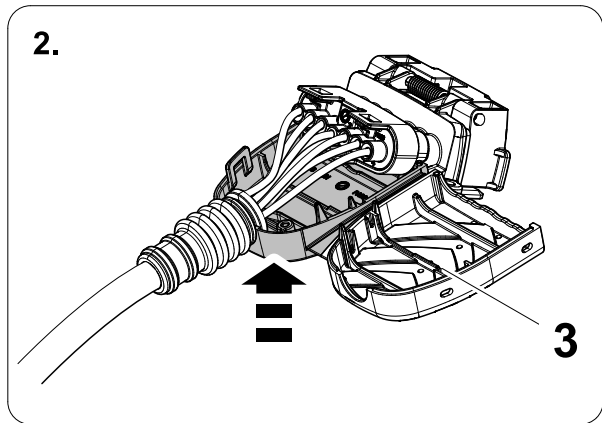
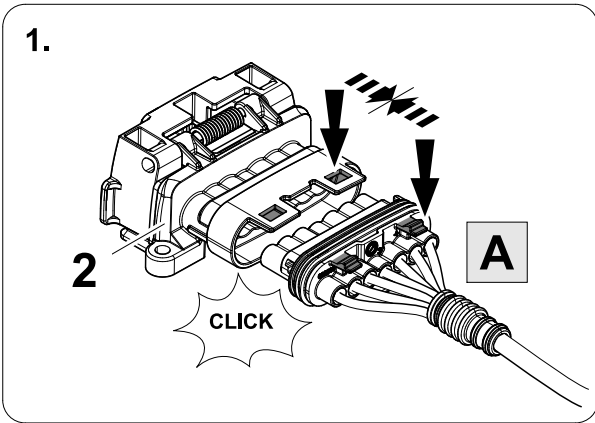
TOOLS



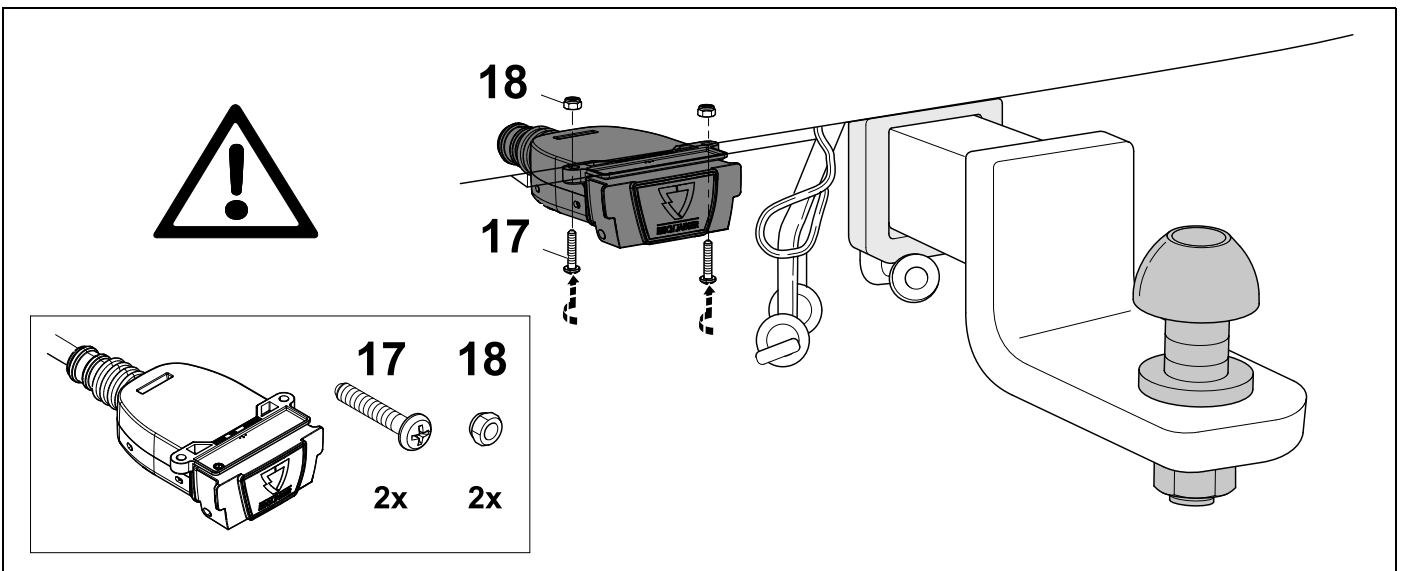
1



2



3



4



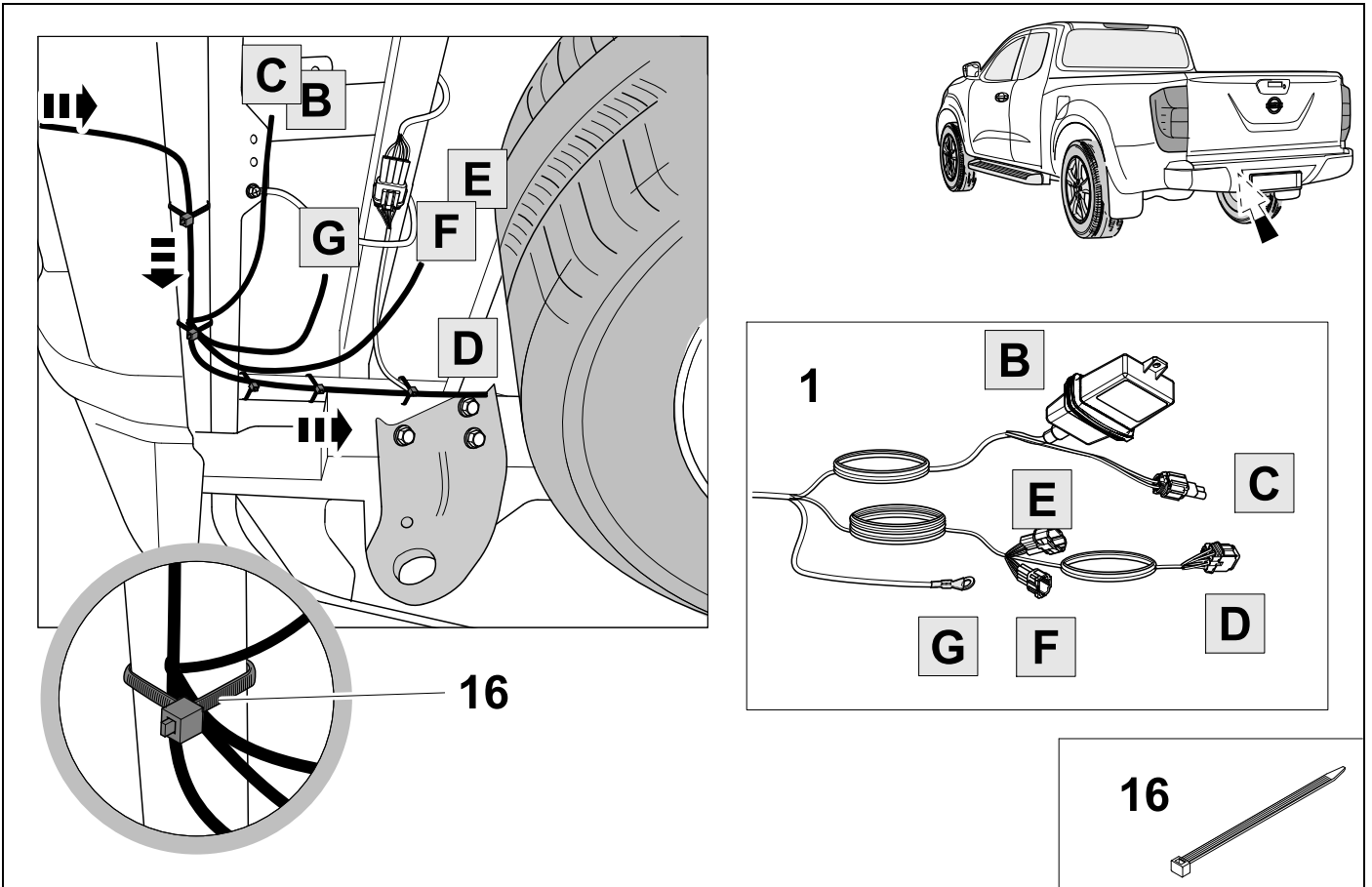
5

1	ye	
2	bk	
3	wh	
4	gn	
5	bu	
6	rd	
7	bn	

5	bk	wh	gy	gn	rd	bu	ye	bn	pu	or	no
---	----	----	----	----	----	----	----	----	----	----	----

	black	white	grey	green	red	blue	yellow	brown	purple	orange	not occupied
--	-------	-------	------	-------	-----	------	--------	-------	--------	--------	--------------

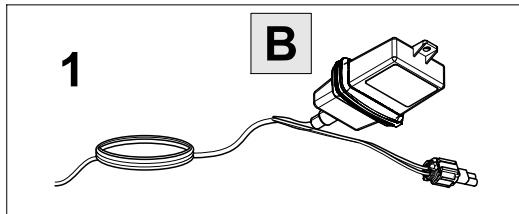
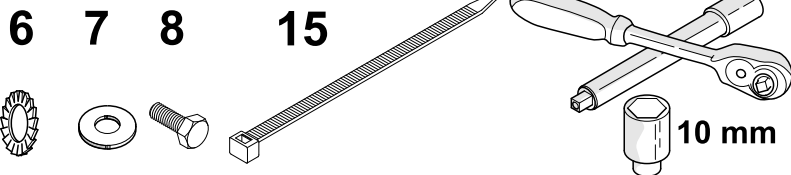
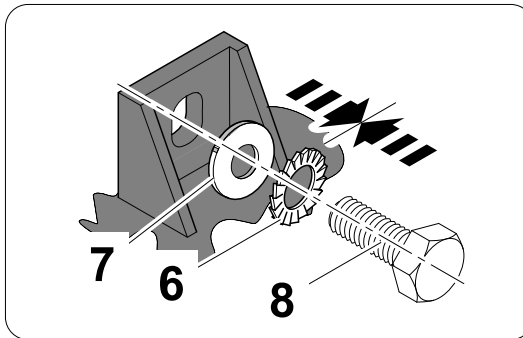
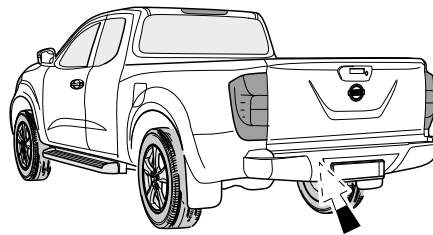
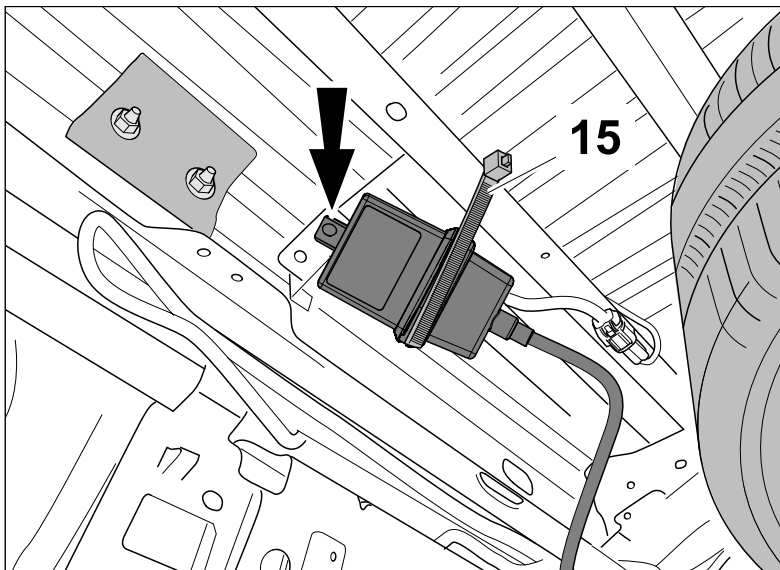
6



7



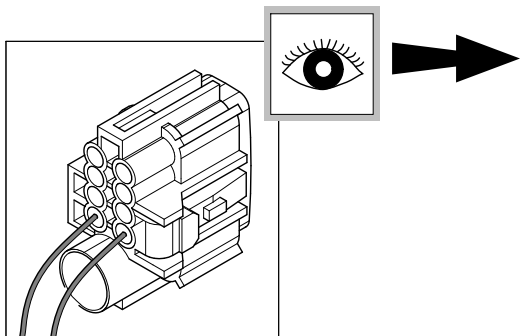
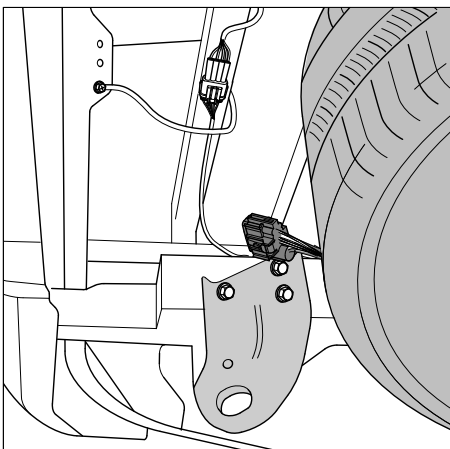
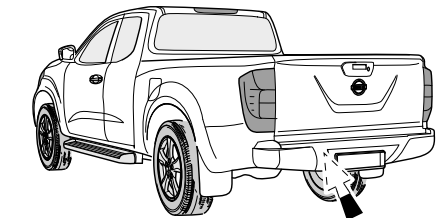
Module to be fitted out of the way on the chassis rail so that it is not submersed in water or exposed to direct dirt blast. Also ensure you use sufficient tie straps to secure the harness close to the module to minimize pulling on the module.



8

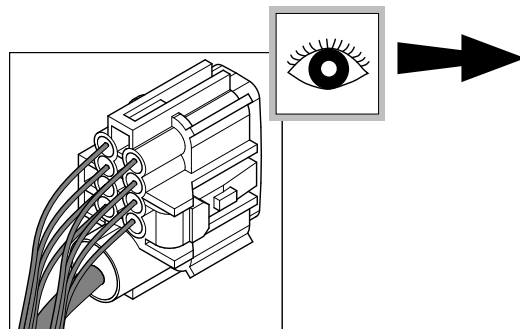
For vehicles without power preparation
Order ext. harness 721149

OPTION A



9
+
11 ⇒ 21

OPTION B



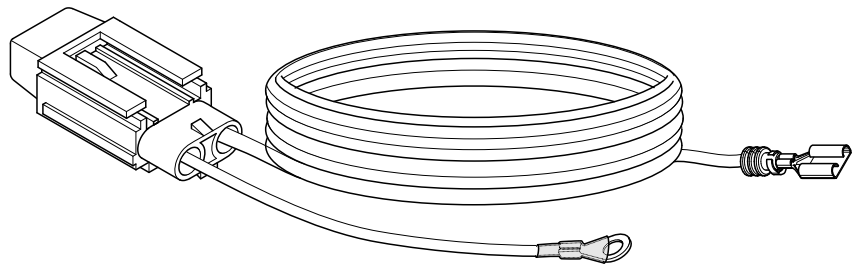
10 ⇒ 21

9

For vehicles without power preparation
Order ext. harness 721149

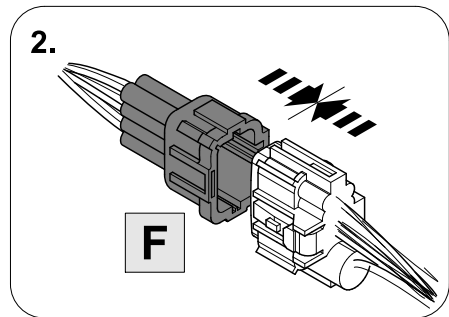
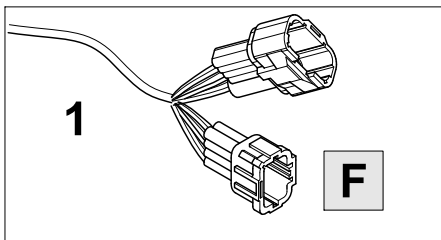
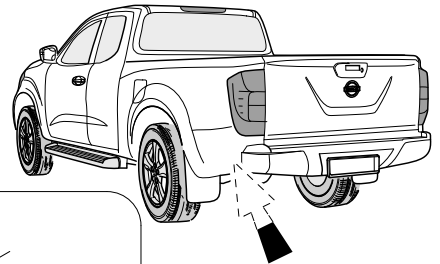
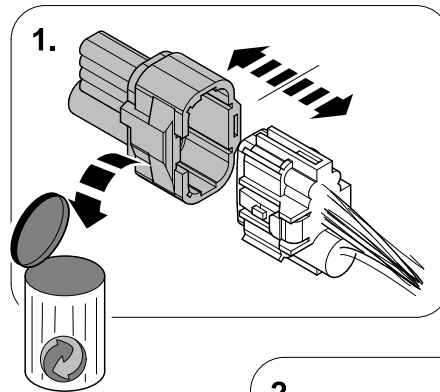
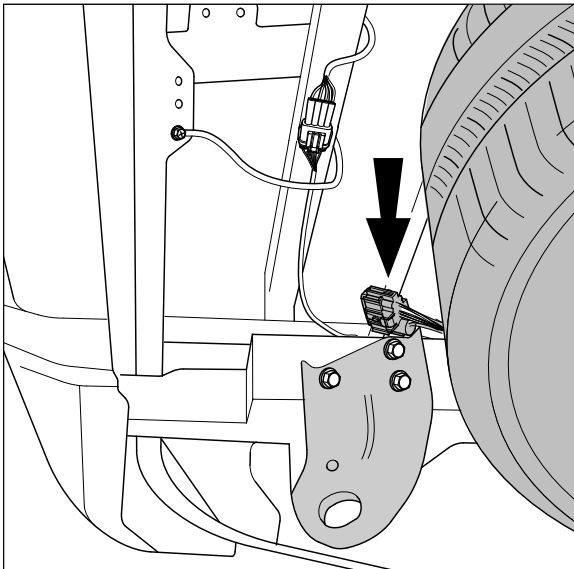
OPTION A

use
Extensions Kit
721149

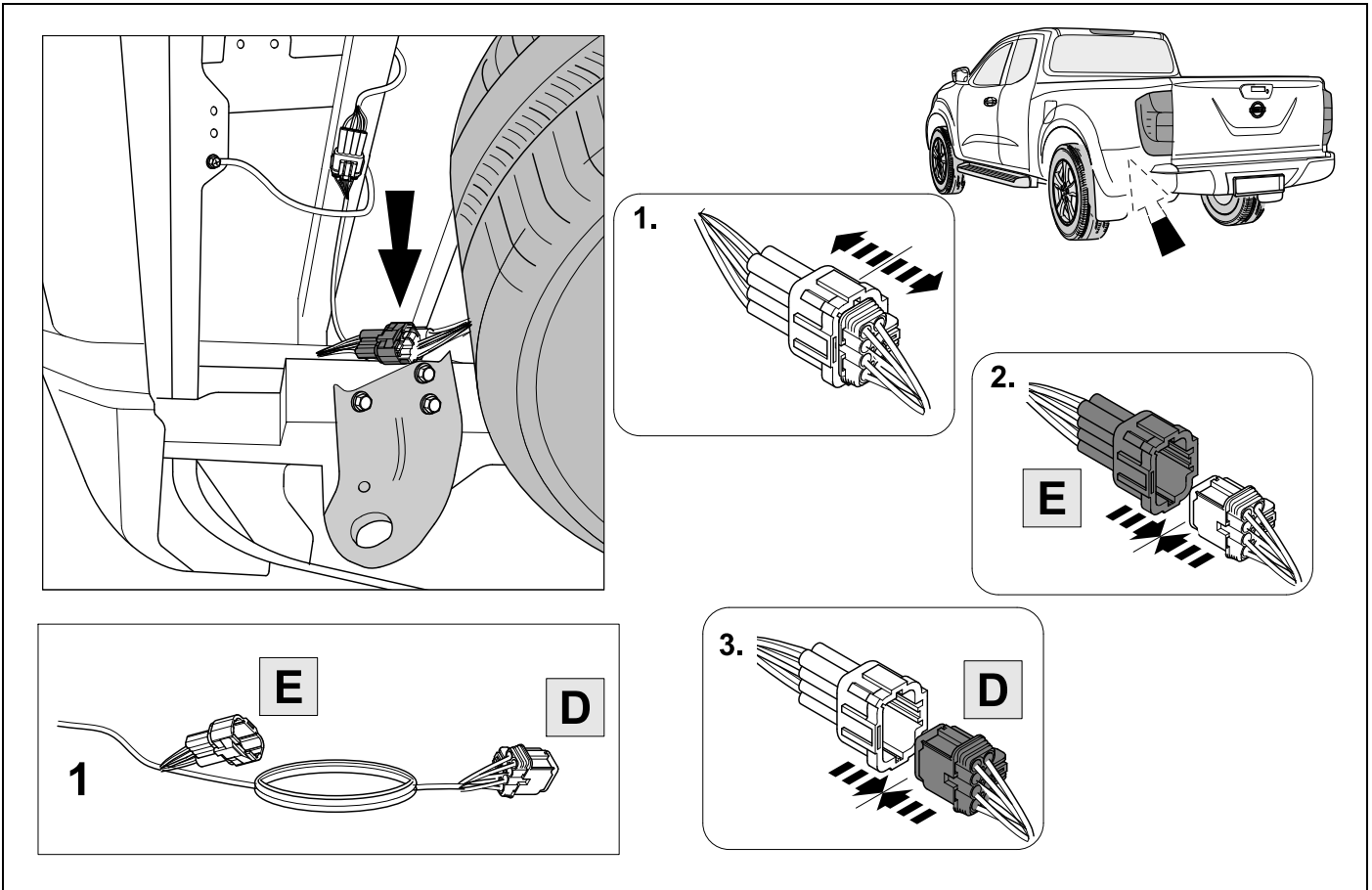


10

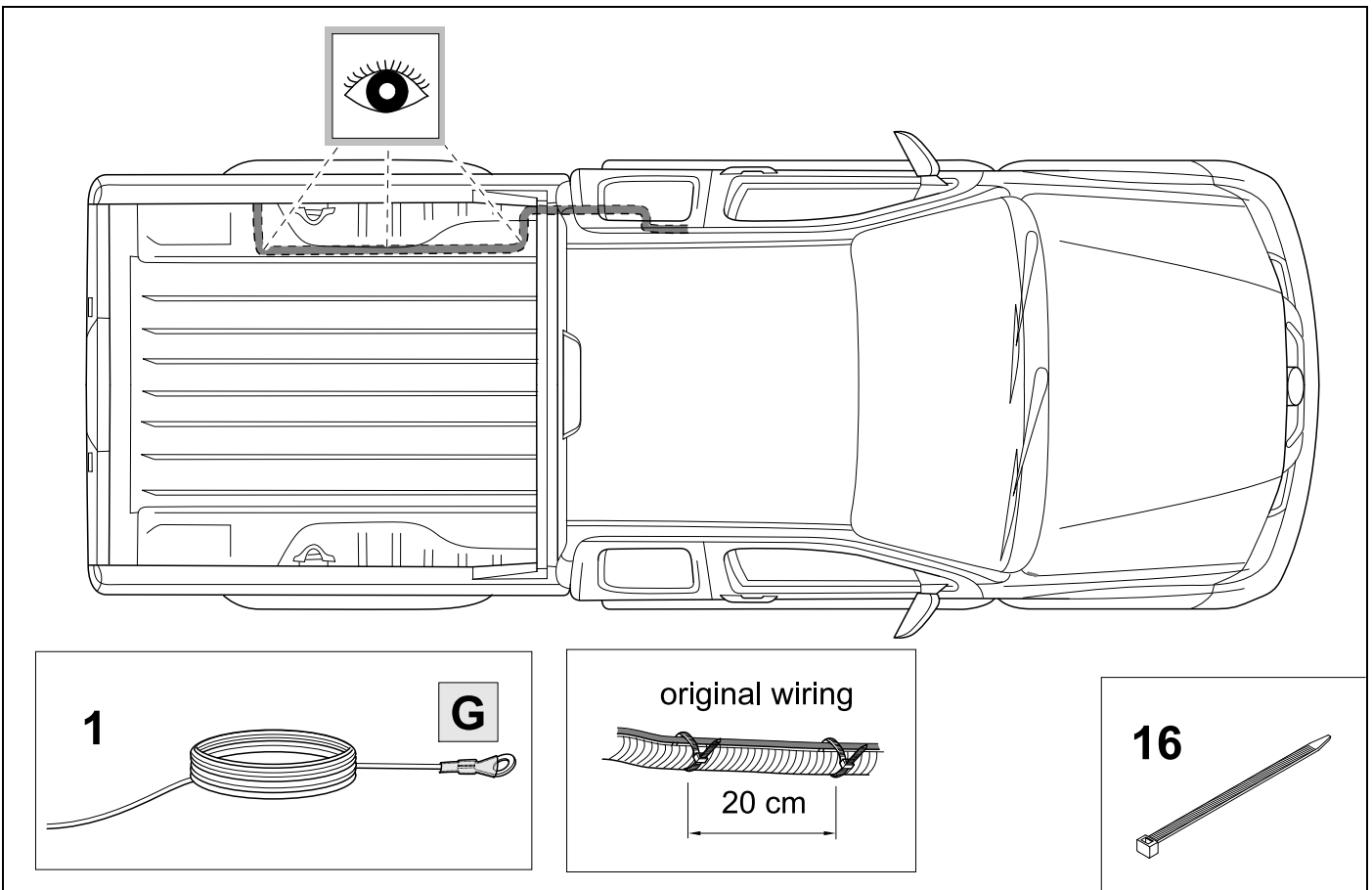
OPTION B



11

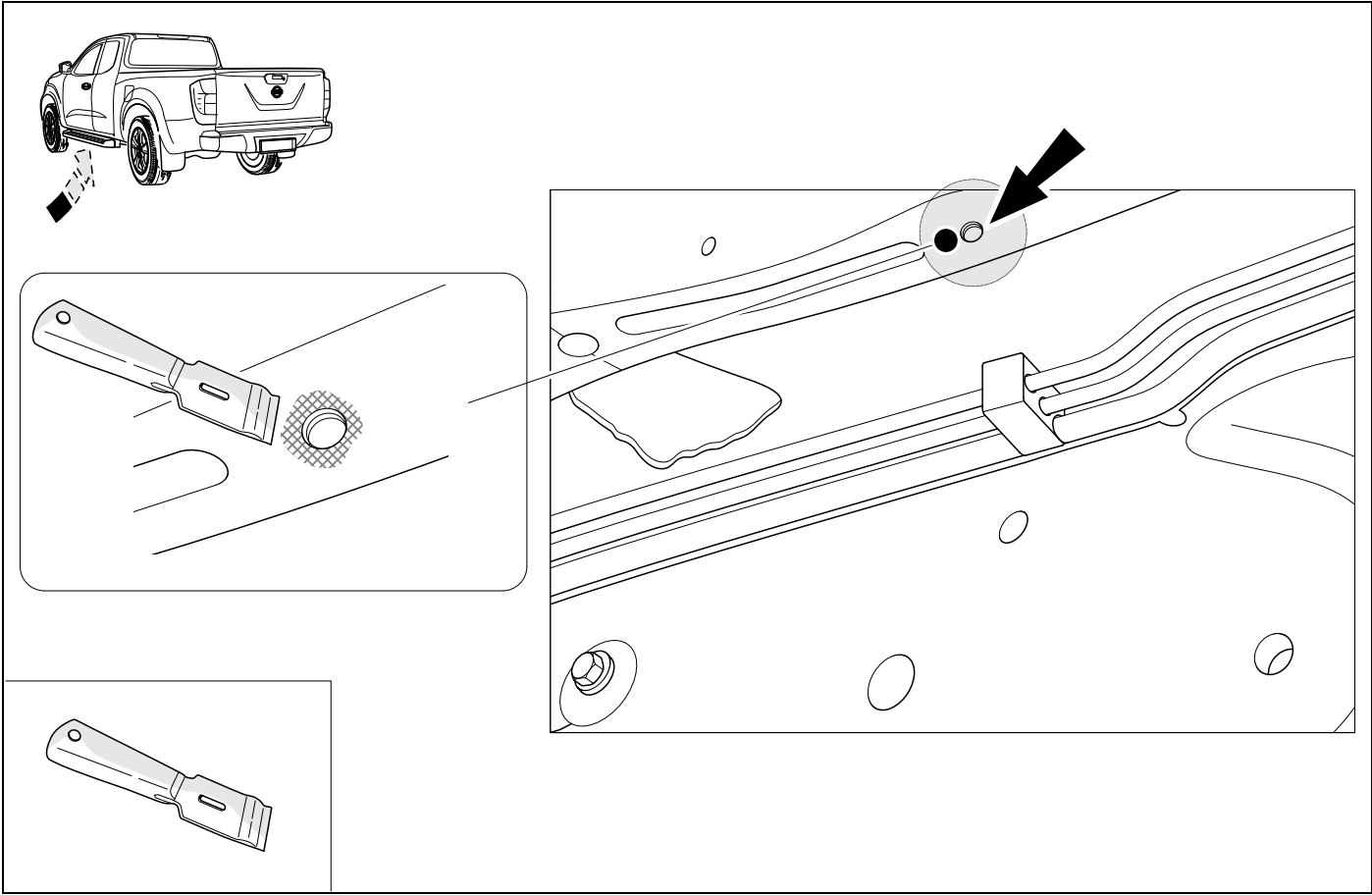


12



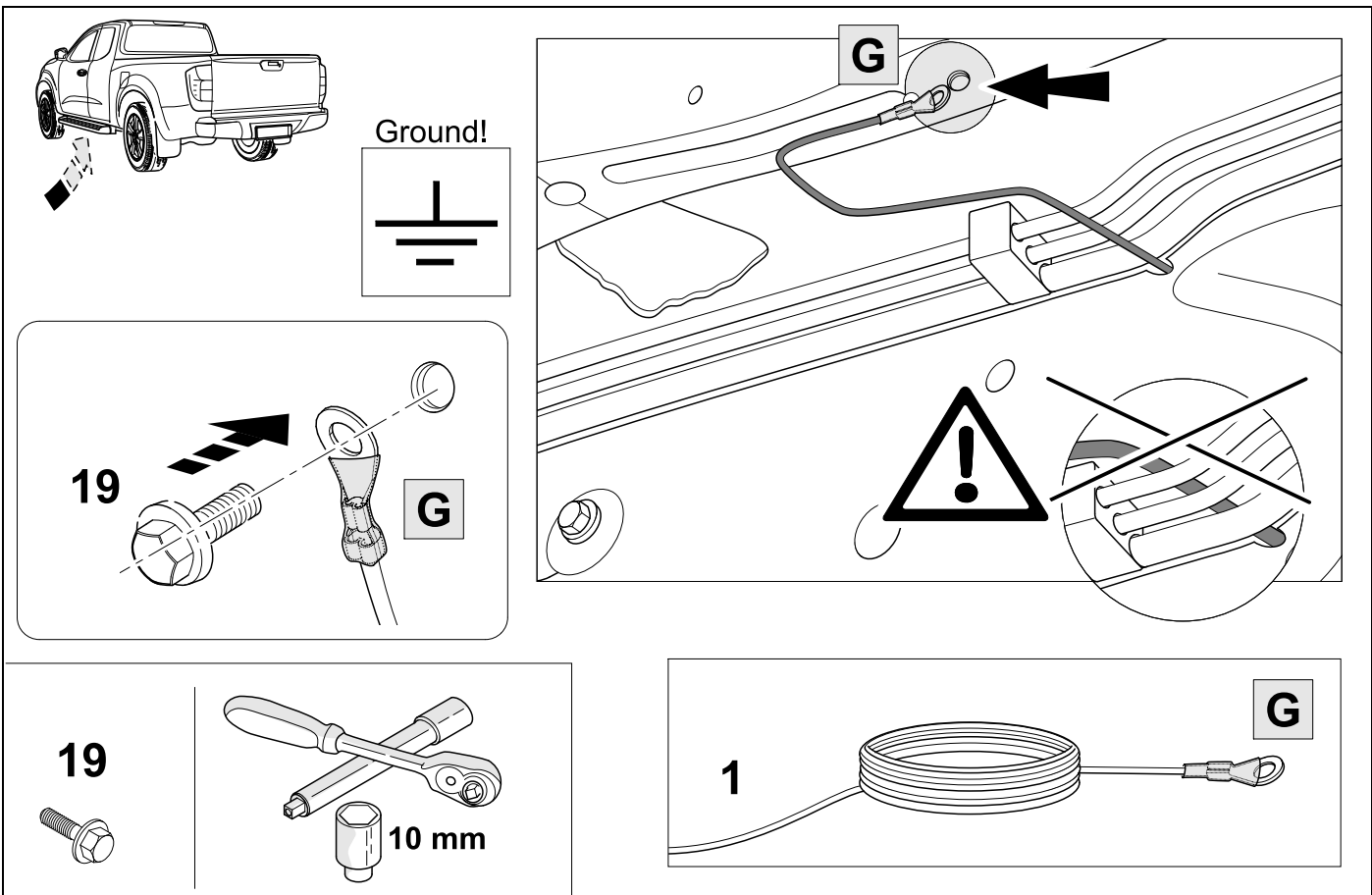
13

OPTION 1



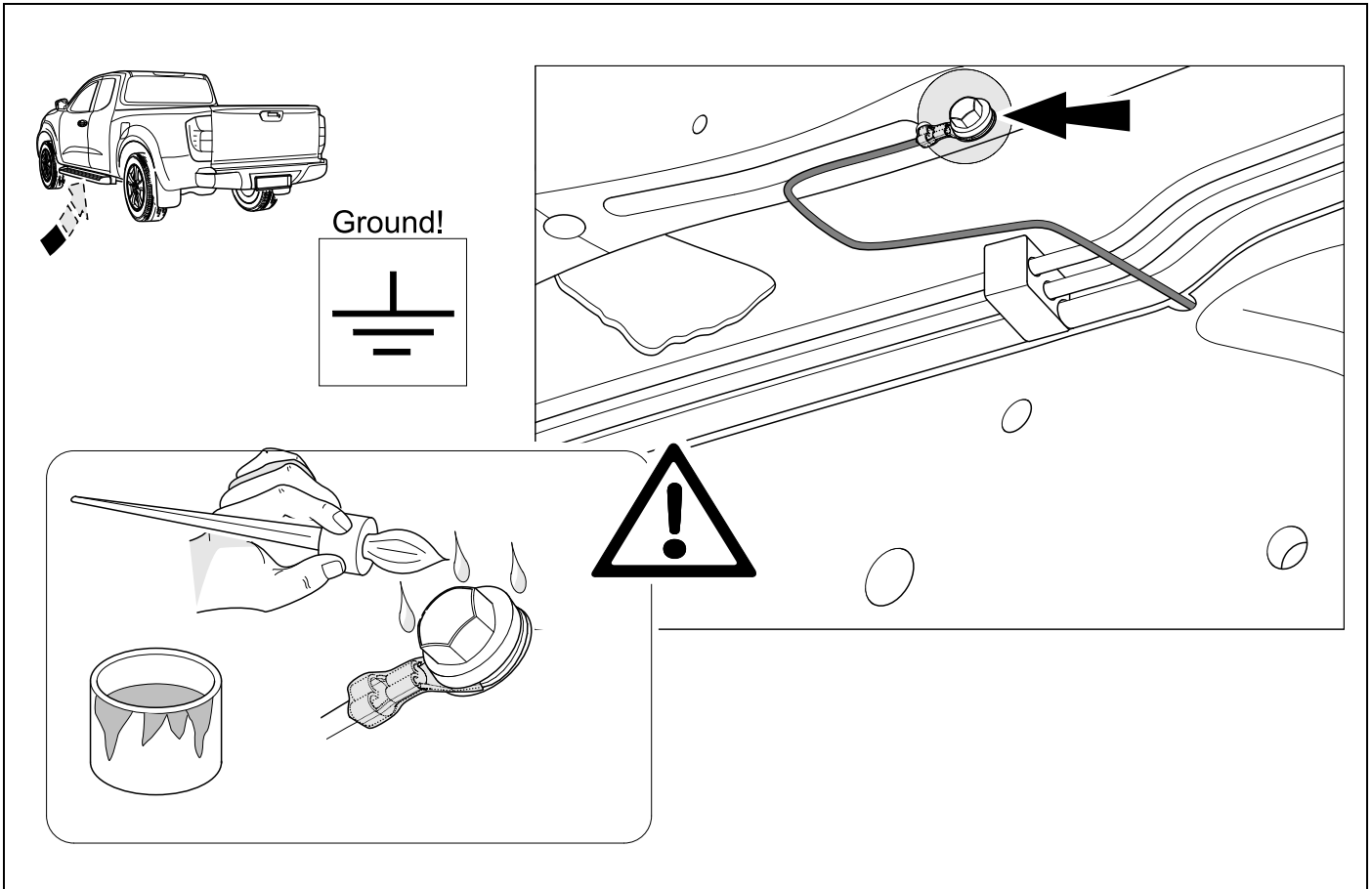
14

OPTION 1



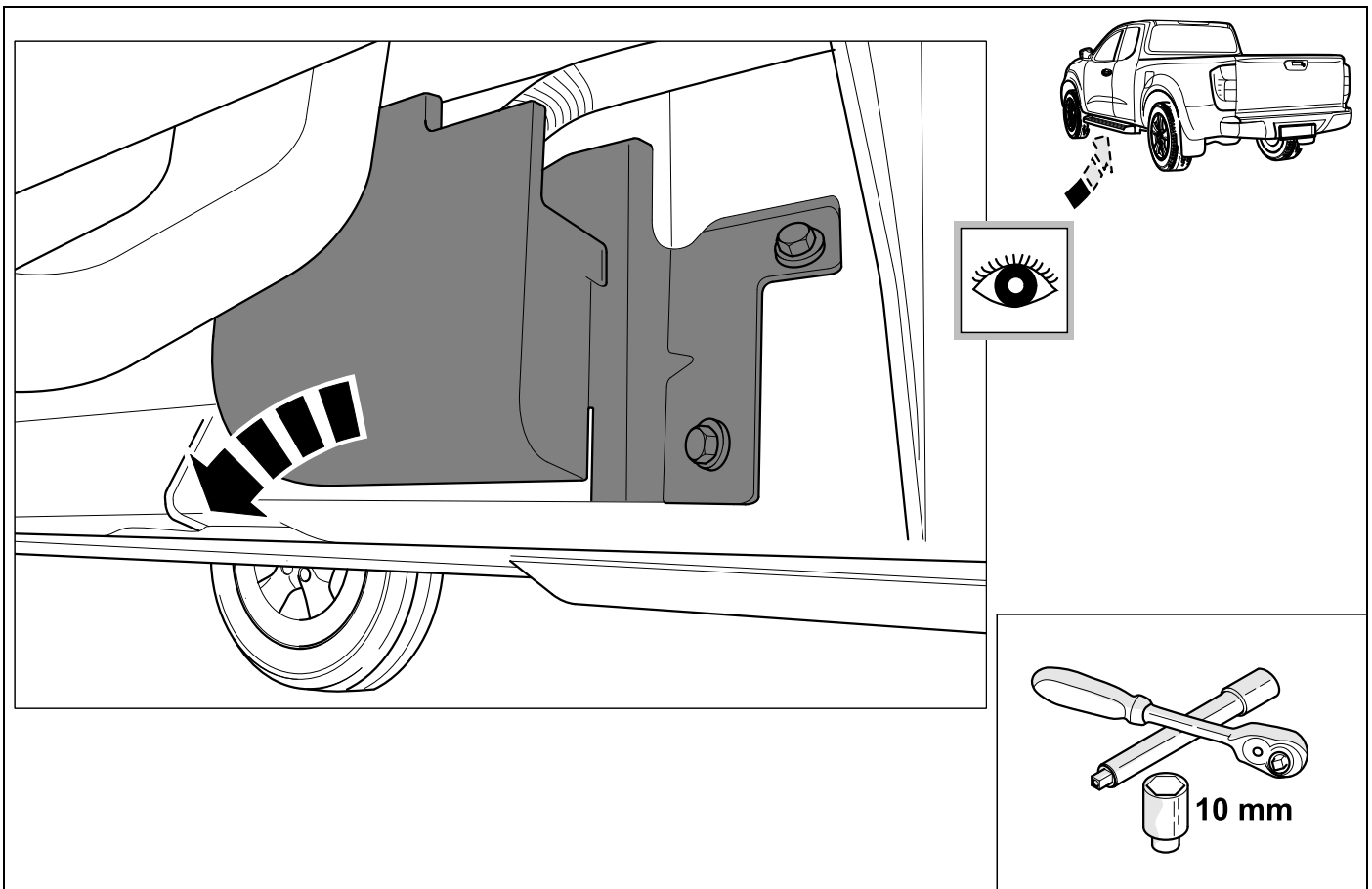
15

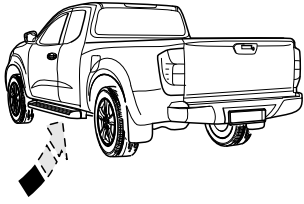
OPTION 1



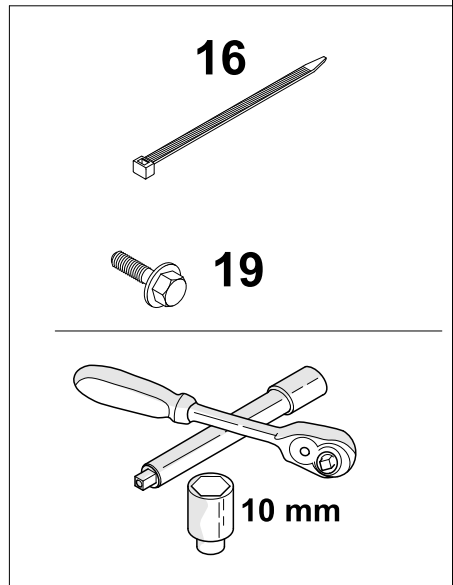
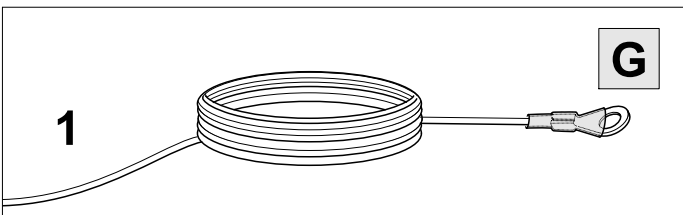
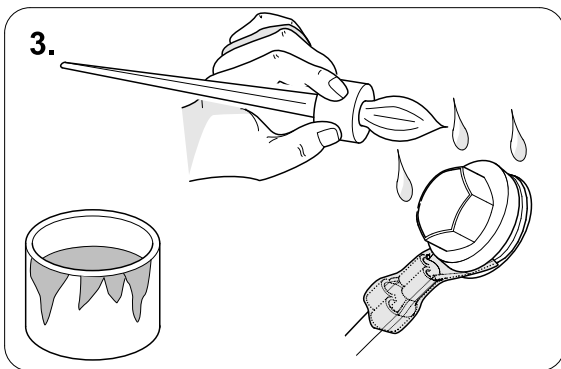
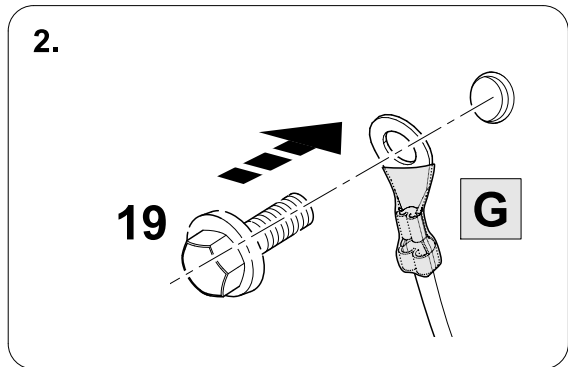
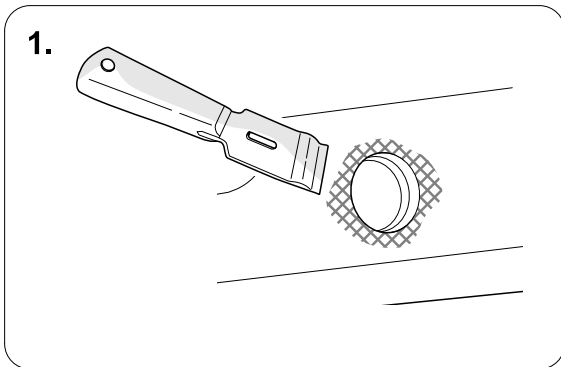
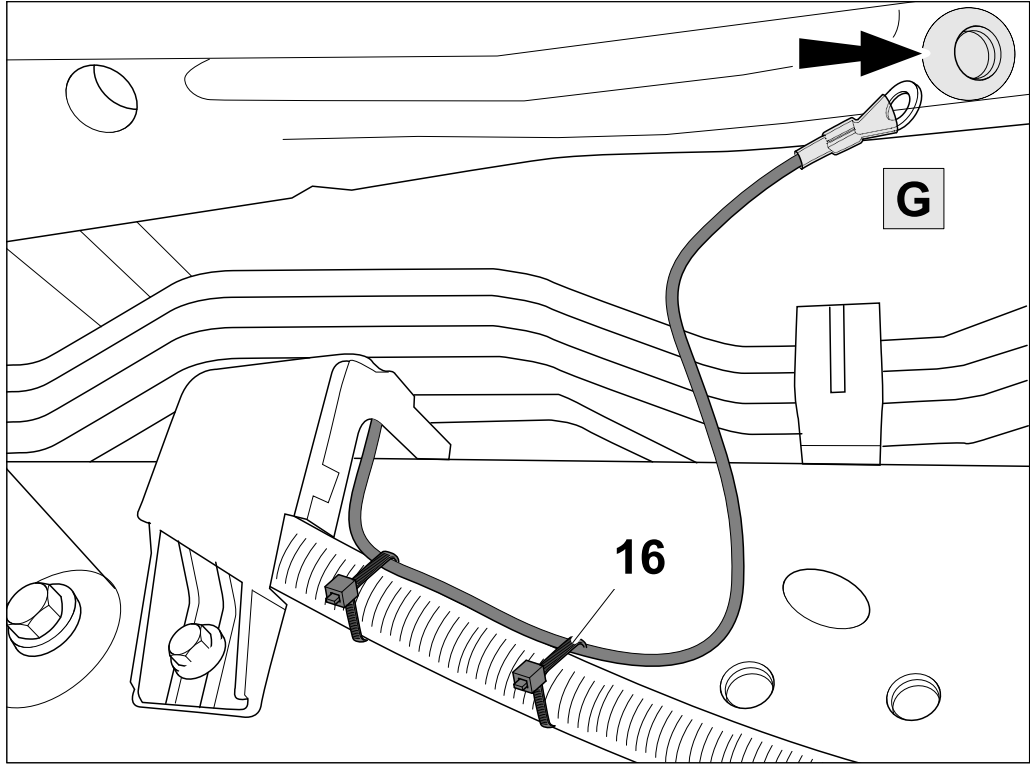
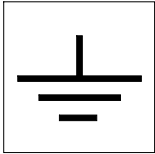
16

OPTION 2

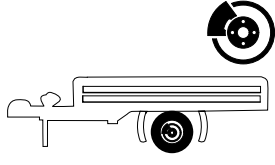




Ground!



**BRAKE
CONTROLLER
PREPARED**

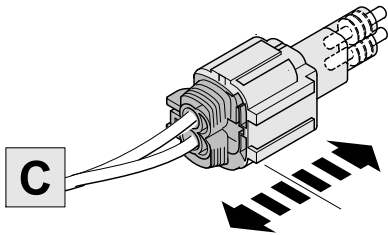


OPTIONAL

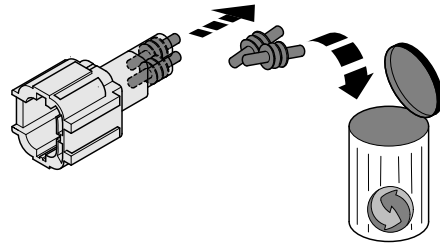


Trailer Brake Preparation

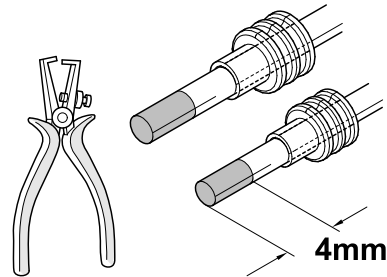
1.



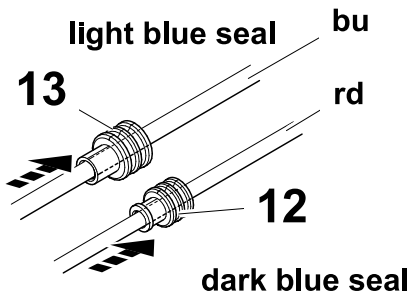
2.



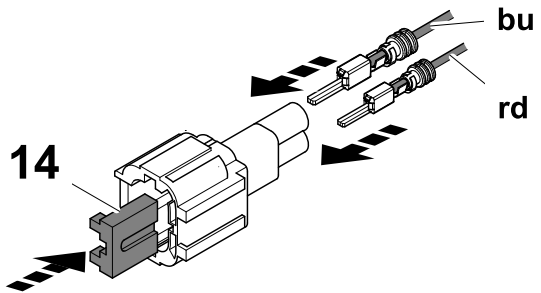
4.



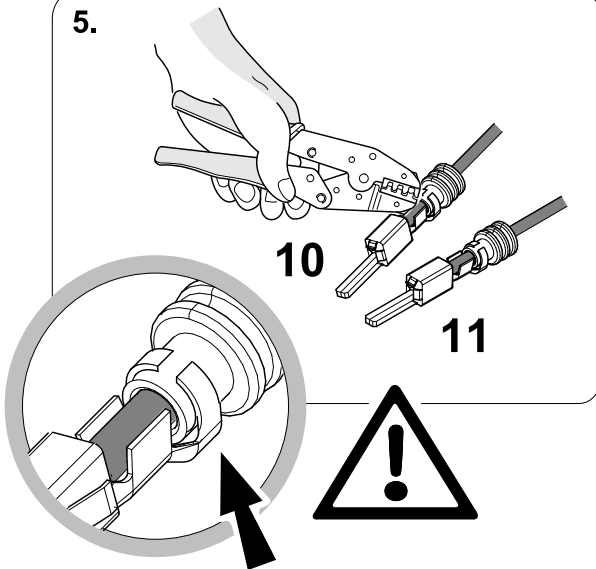
3.



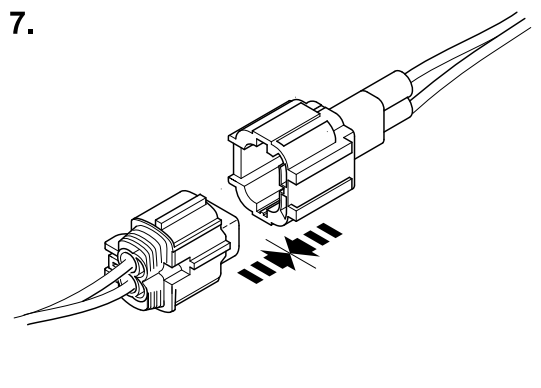
6.



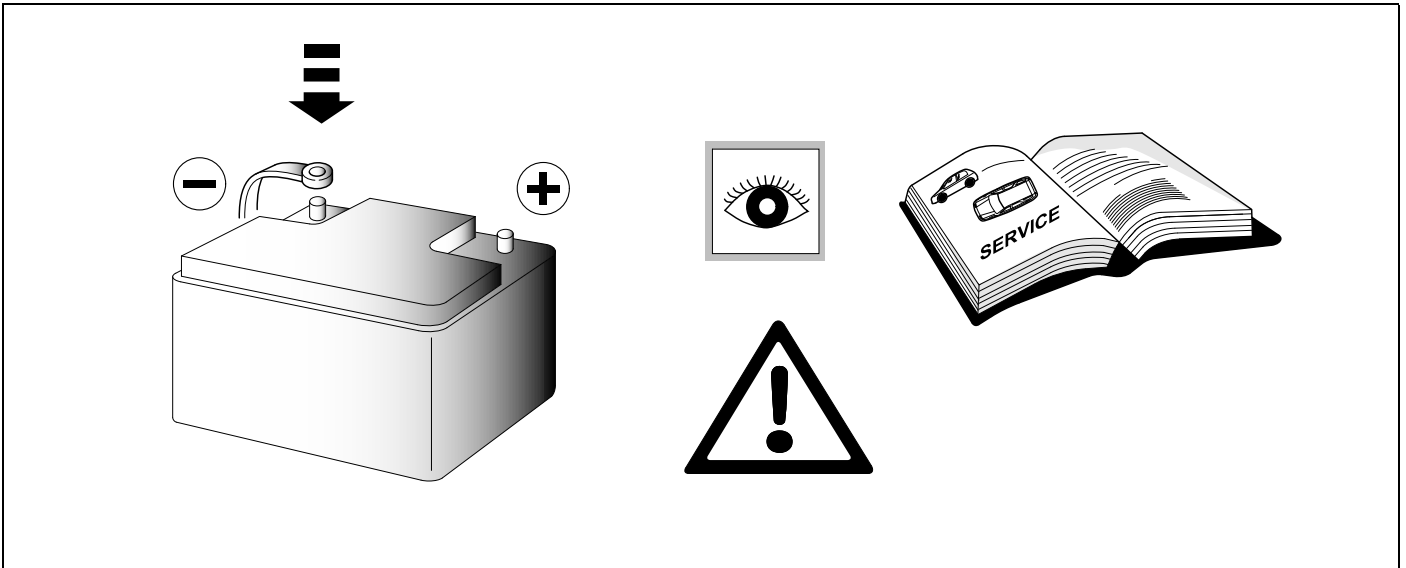
5.



7.

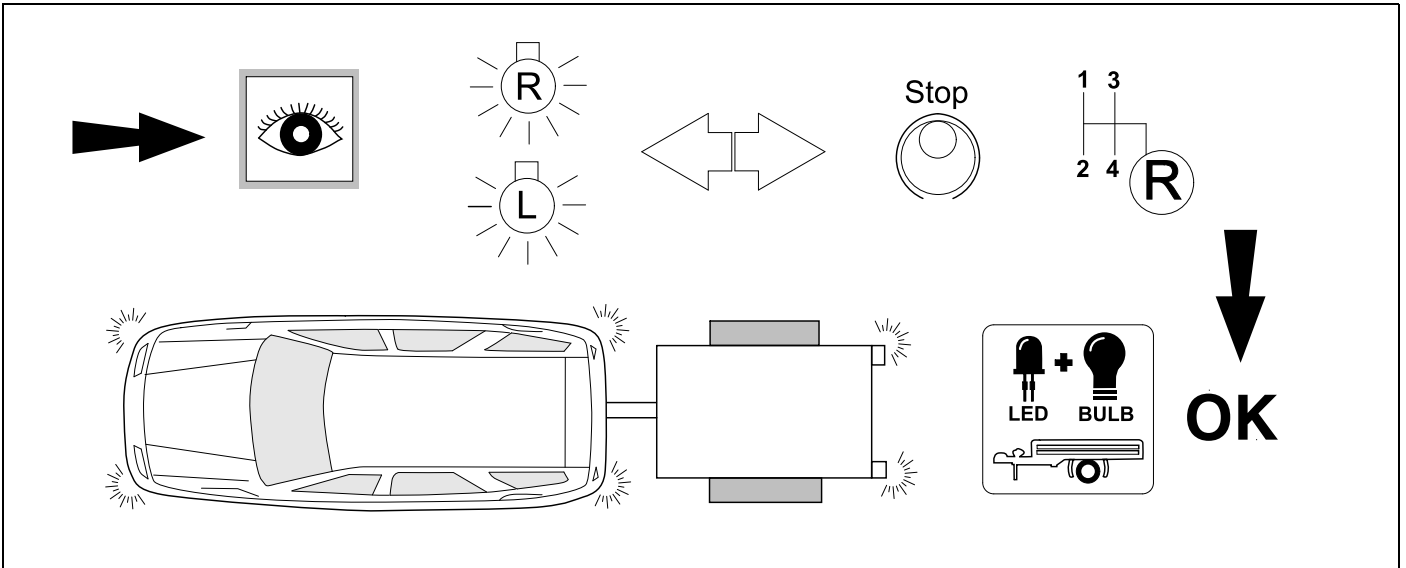


19



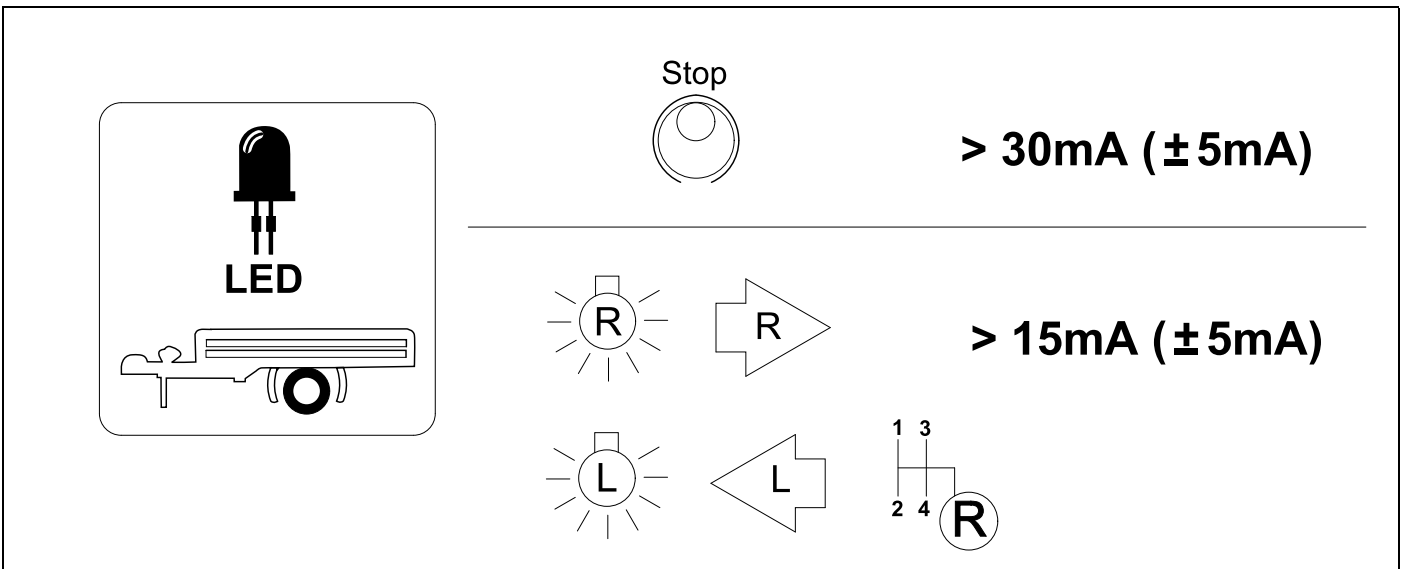
20

CHECK ALL LIGHTING FUNCTIONS



21

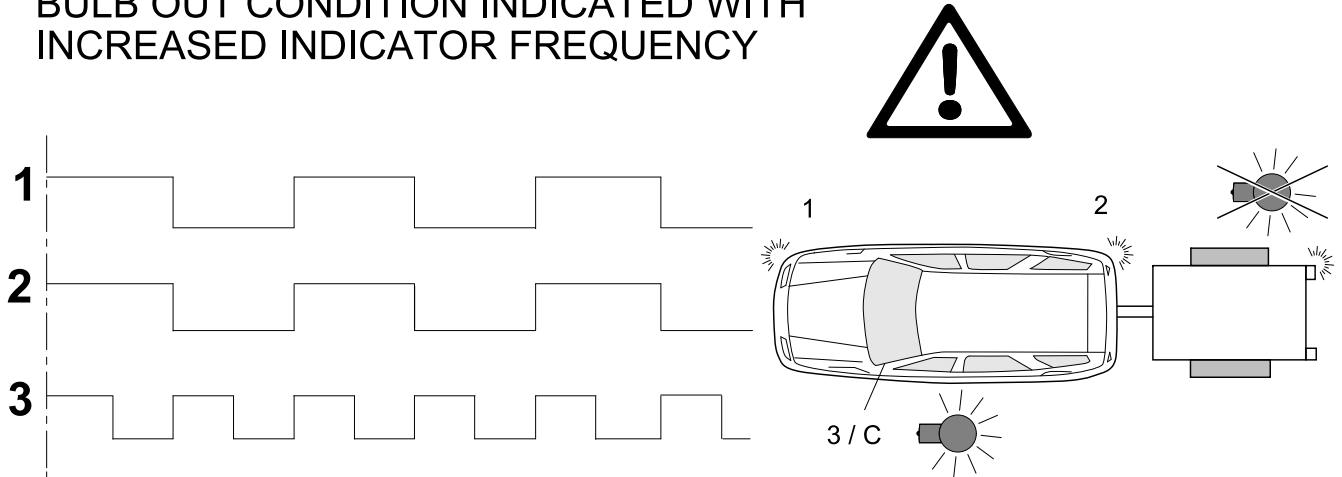
CHECK ALL LIGHTING FUNCTIONS



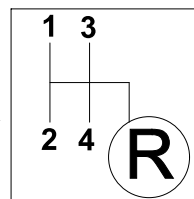
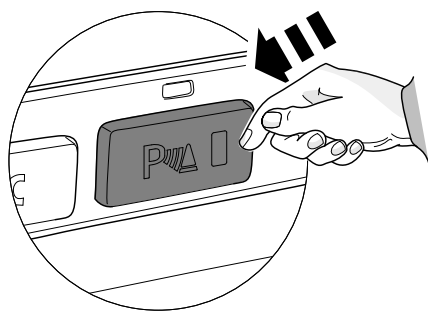
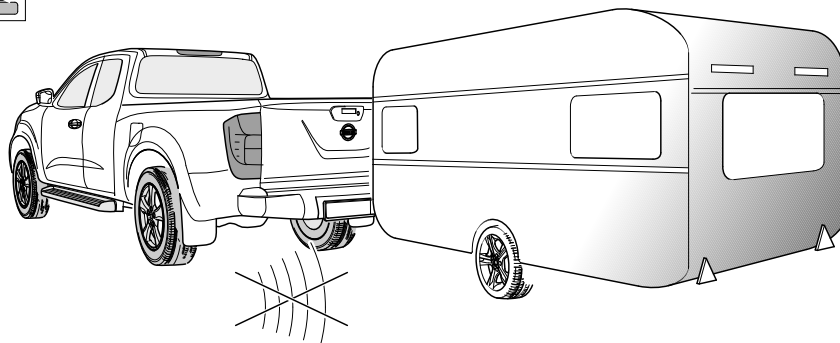
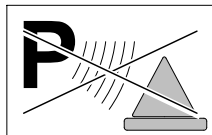
22

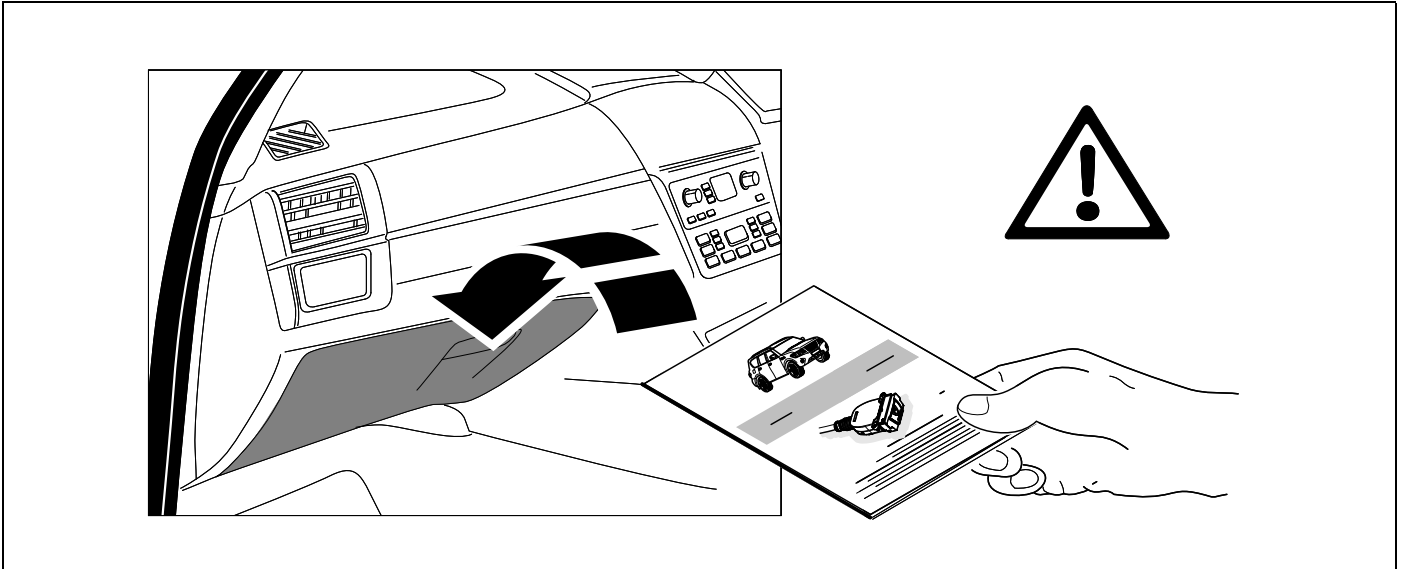
CHECK BULB OUT DETECTION

BULB OUT CONDITION INDICATED WITH INCREASED INDICATOR FREQUENCY



23





Subject to change in terms of construction, equipment and colour, and may contain errors.
The information and illustrations are non-binding.