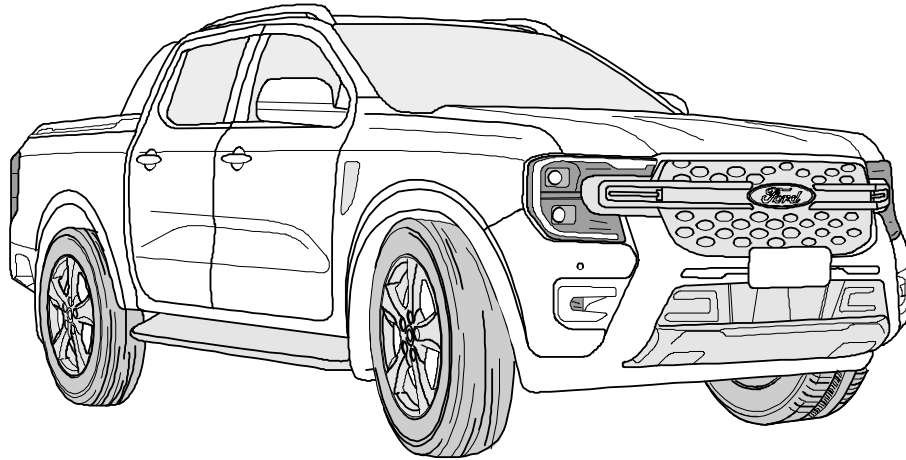




ERICH JAEGER

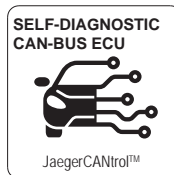
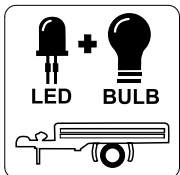
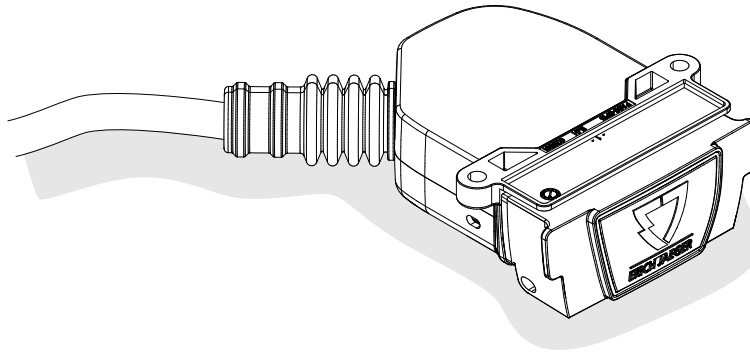
Installation instructions



750150

FORD Ranger

06/22 >>



Reference:

The following information must be reviewed before beginning the assembly:

The installation instructions are to be thoroughly read.

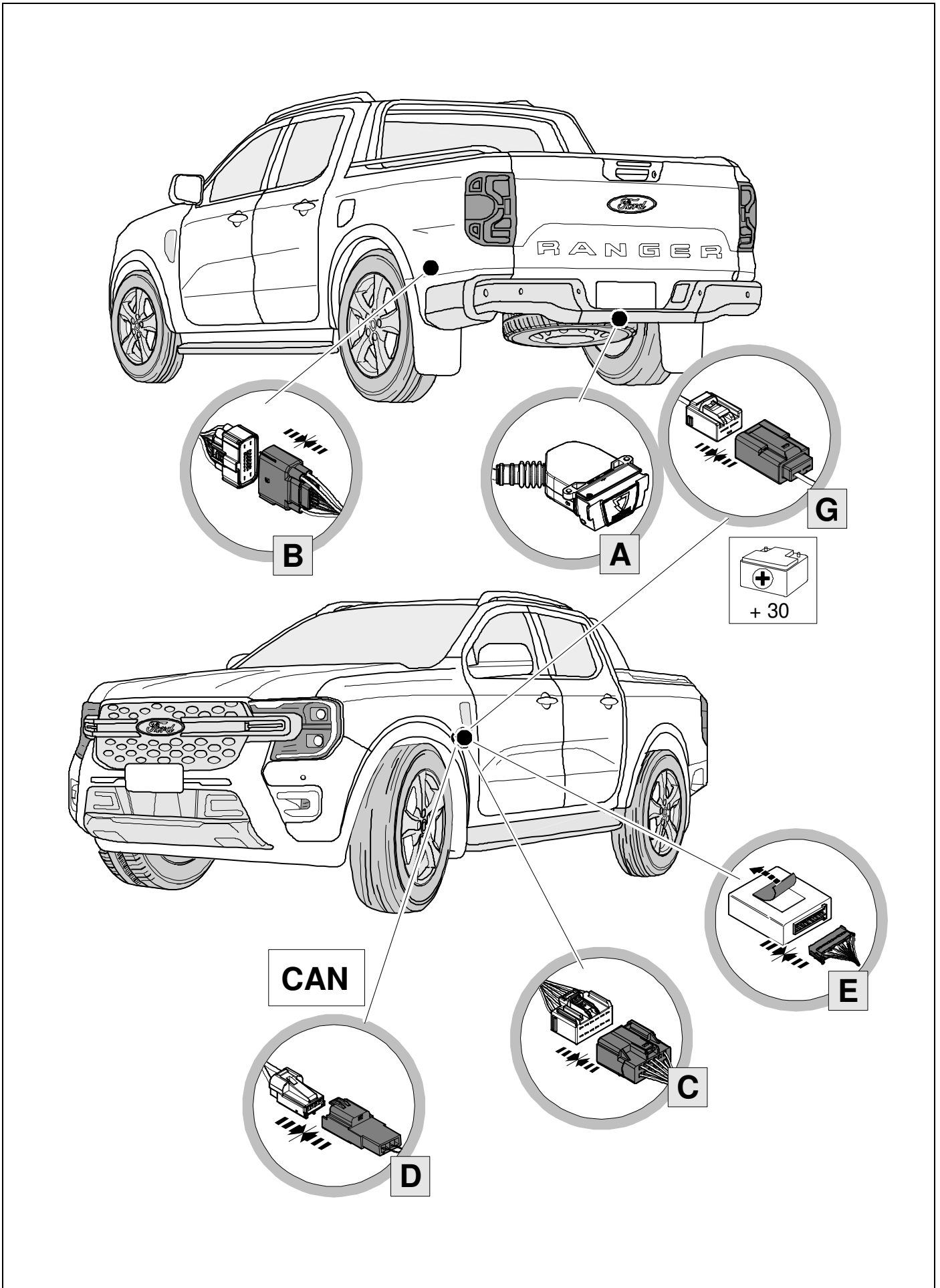
The installation should be carried out by qualified personnel with the relevant technical knowledge.

The vehicle manufacturers' current technical notices and information on retrofitting must be followed.

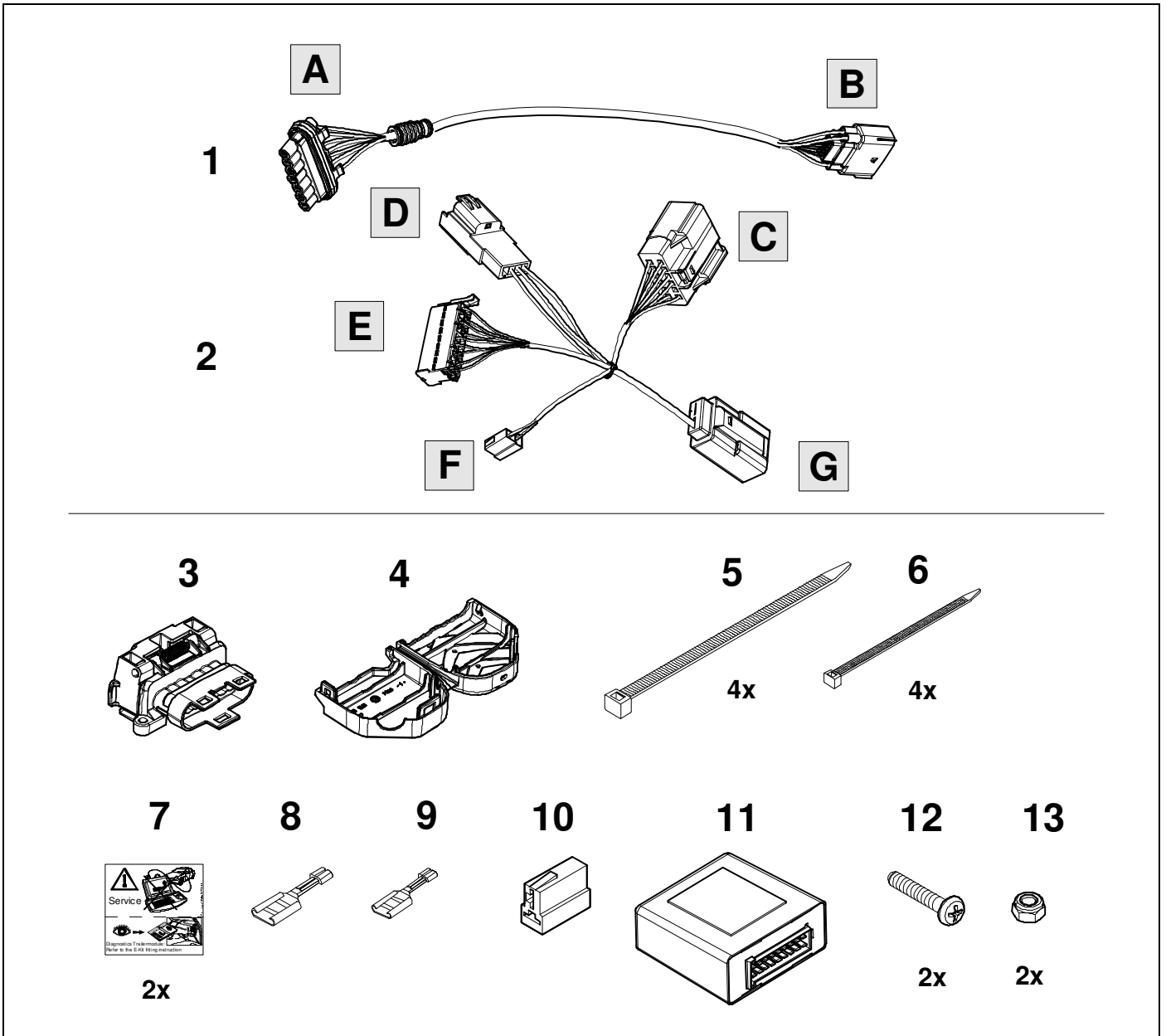
The removal and replacement instructions found in the current repair manuals must be followed.

It must be ensured that the vehicle is technically suitable for the installation of a trailer hitch.

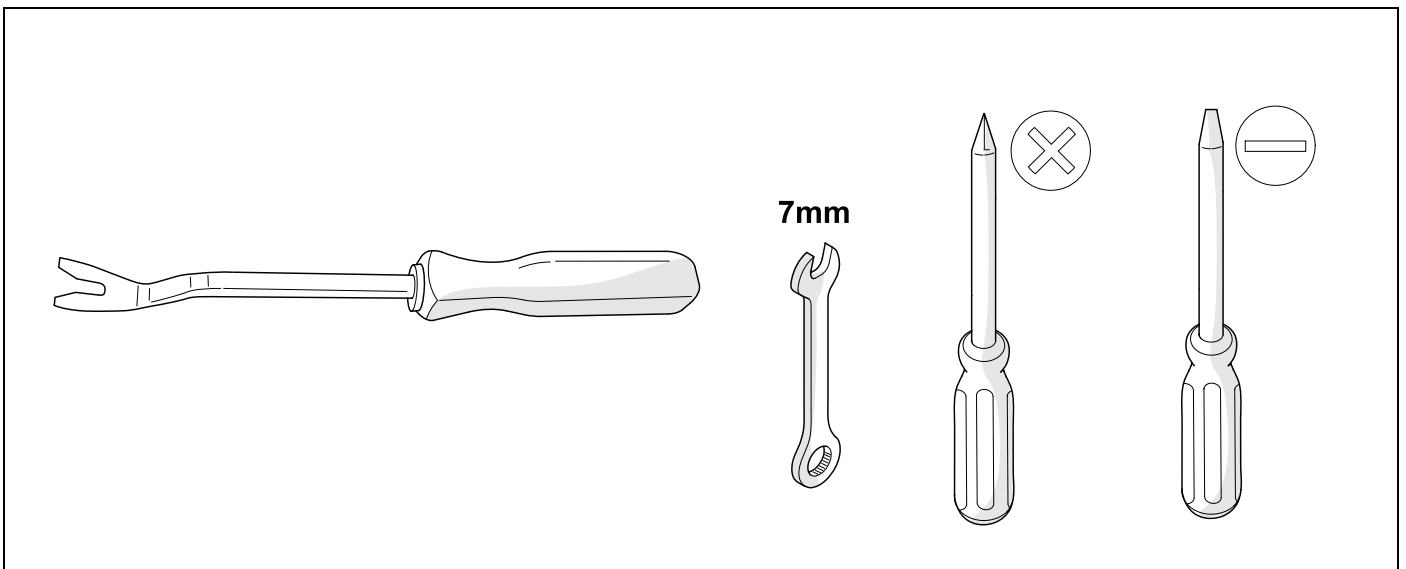
OVERVIEW



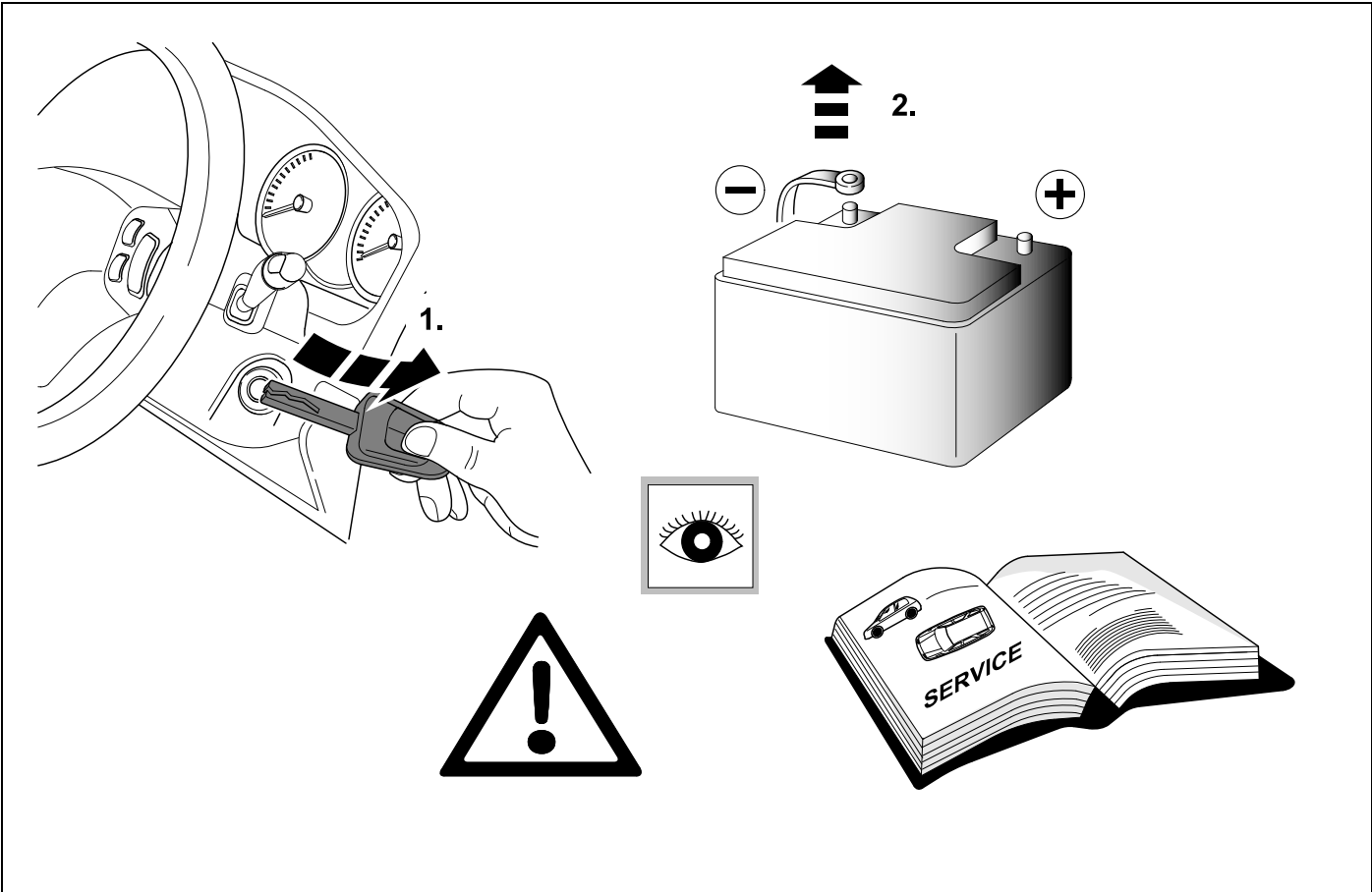
KIT



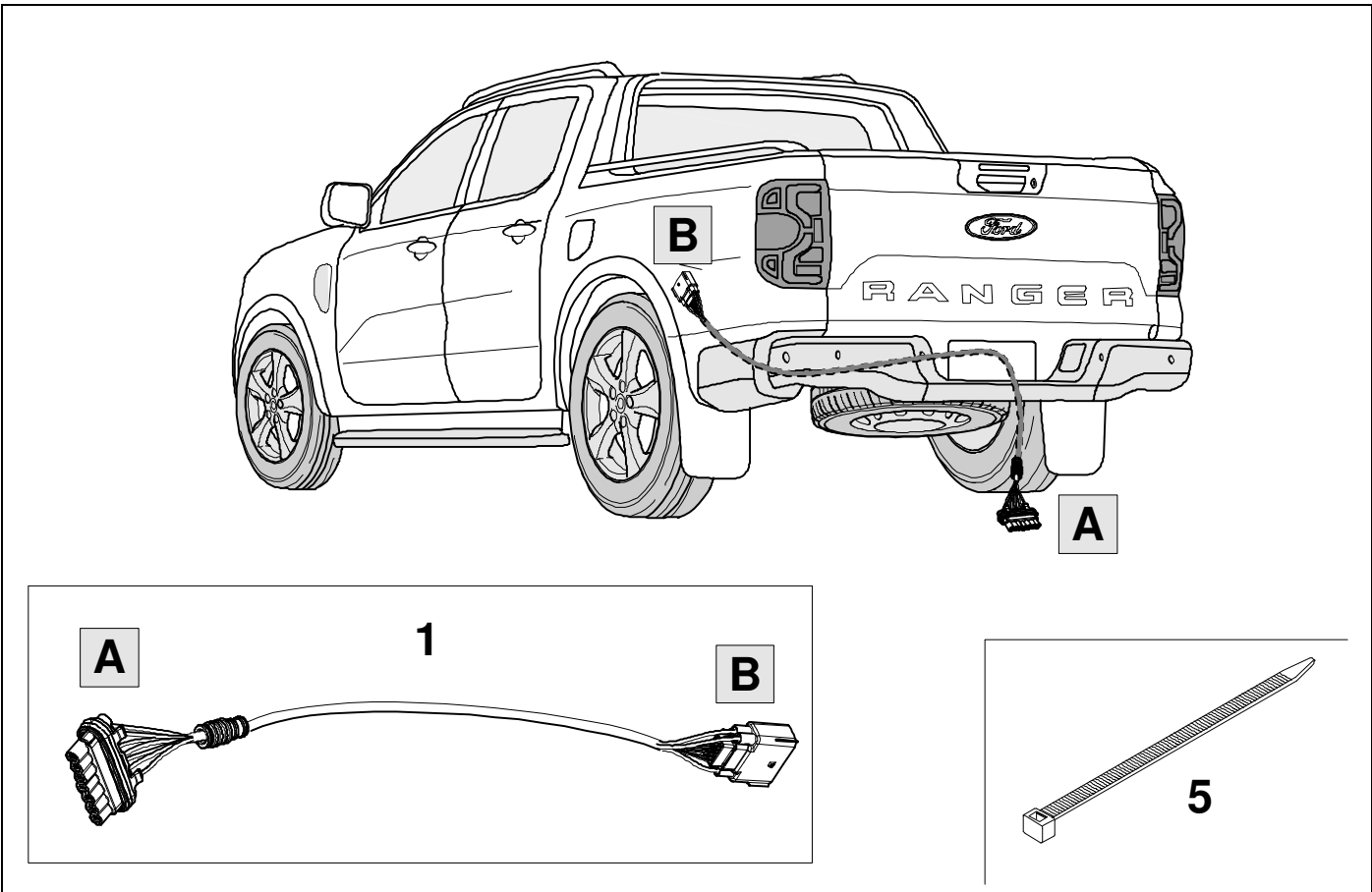
TOOLS



1



2

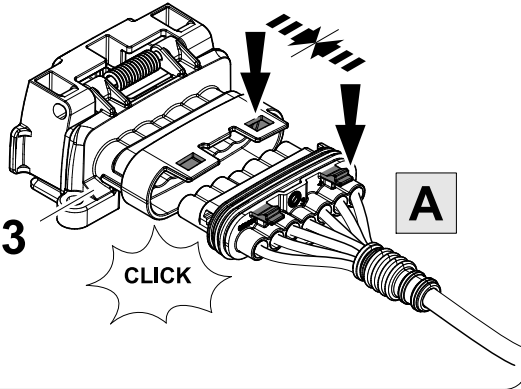


3

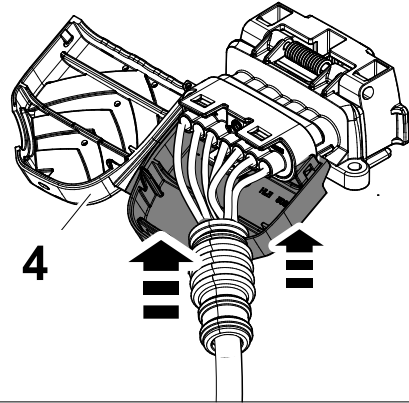


5

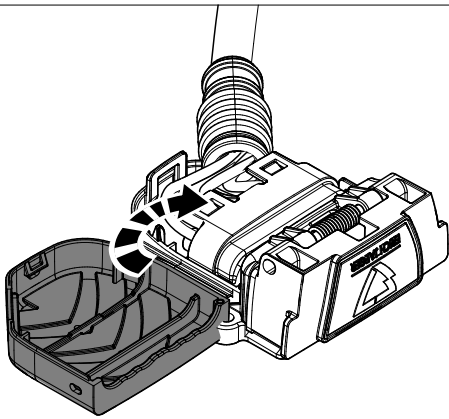
1.



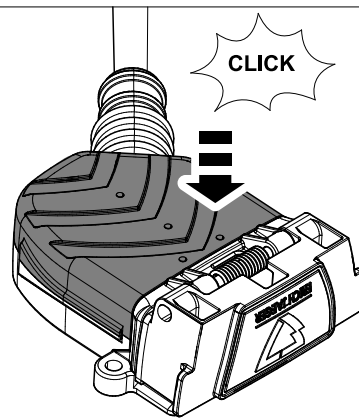
2.



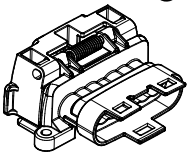
3.



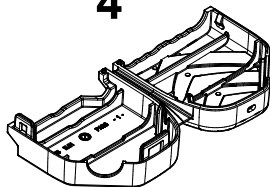
4.



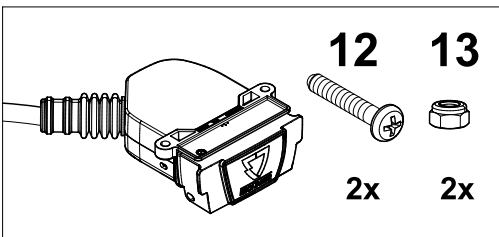
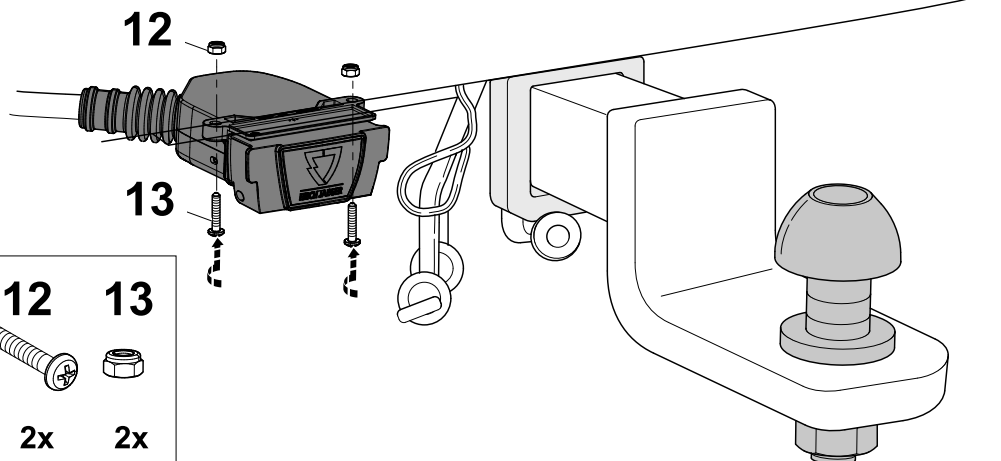
3



4



4



5



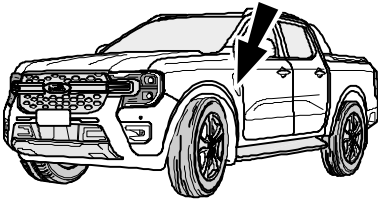
6

1	ye	
2	bk	
3	wh	
4	gn	
5	bu	
6	rd	
7	bn	

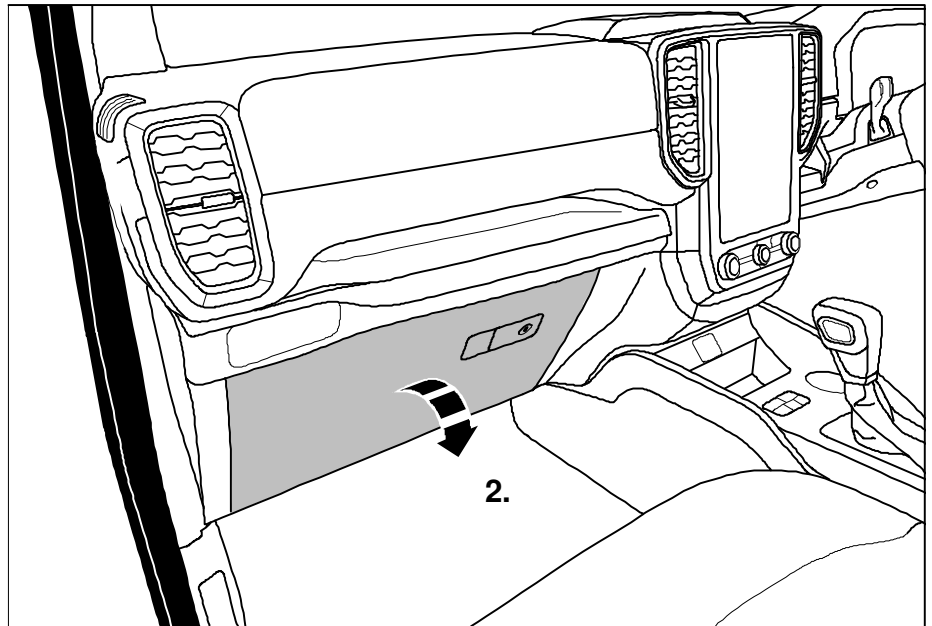
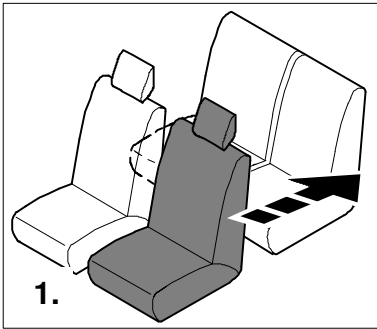
6	bk	wh	gy	gn	rd	bu	ye	bn	pu	or	no
---	----	----	----	----	----	----	----	----	----	----	----

	black	white	grey	green	red	blue	yellow	brown	purple	orange	not occupied
--	-------	-------	------	-------	-----	------	--------	-------	--------	--------	--------------

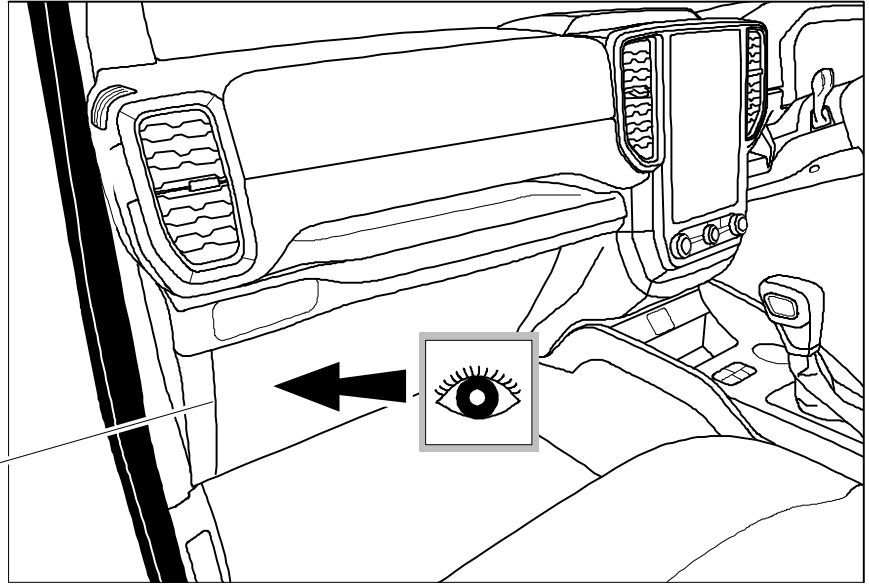
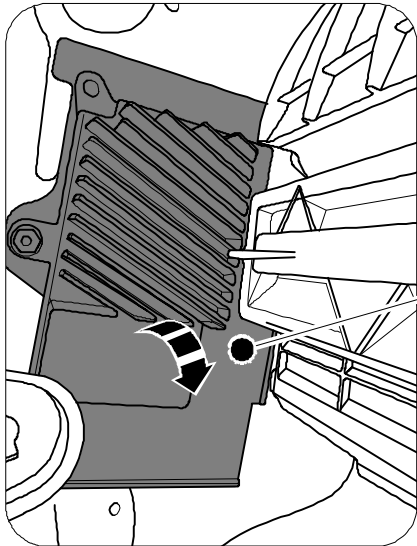
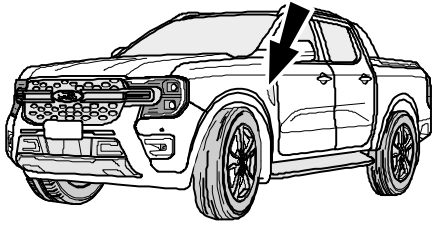
7



Remove the glove box.



8

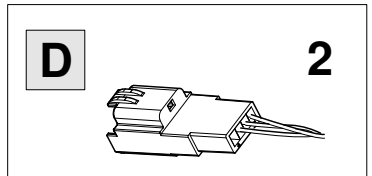
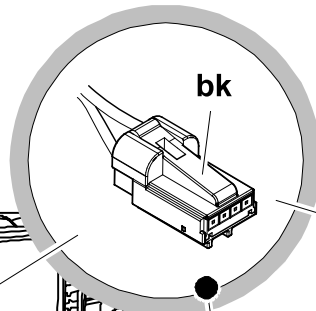
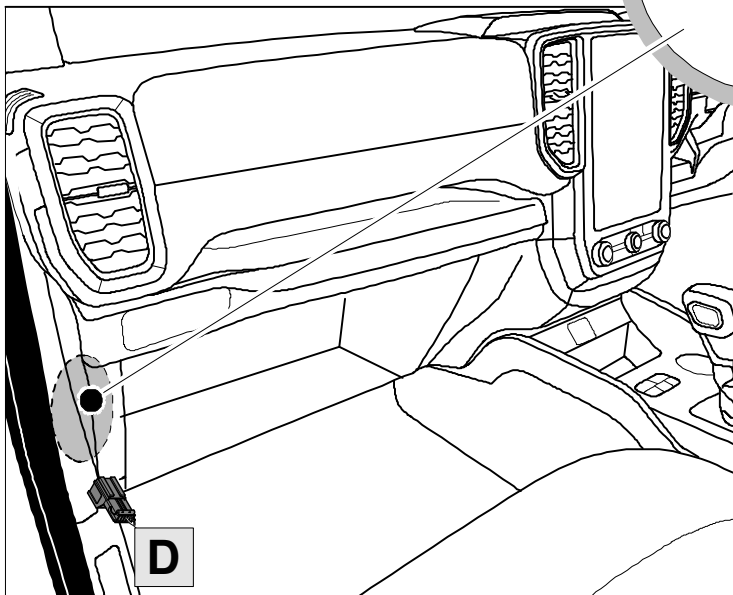
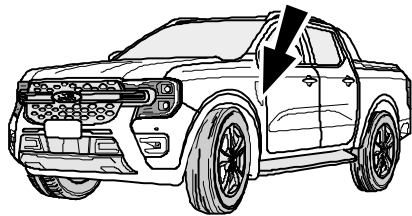


It is easier to access the three connectors by removing the silver control module first. If an OEM tow module is already fitted, you will need to unplug the three connectors from that module first and then continue with the next steps of the install.

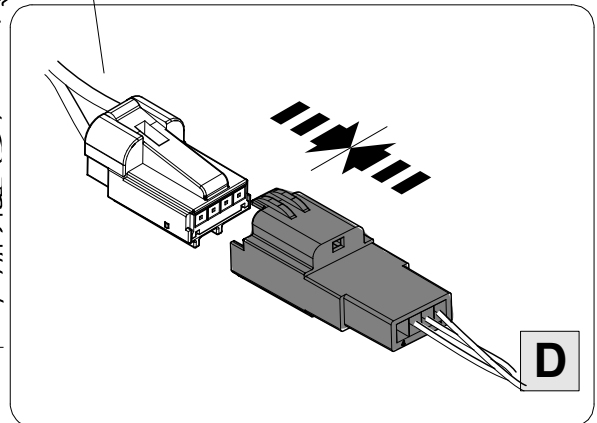
9



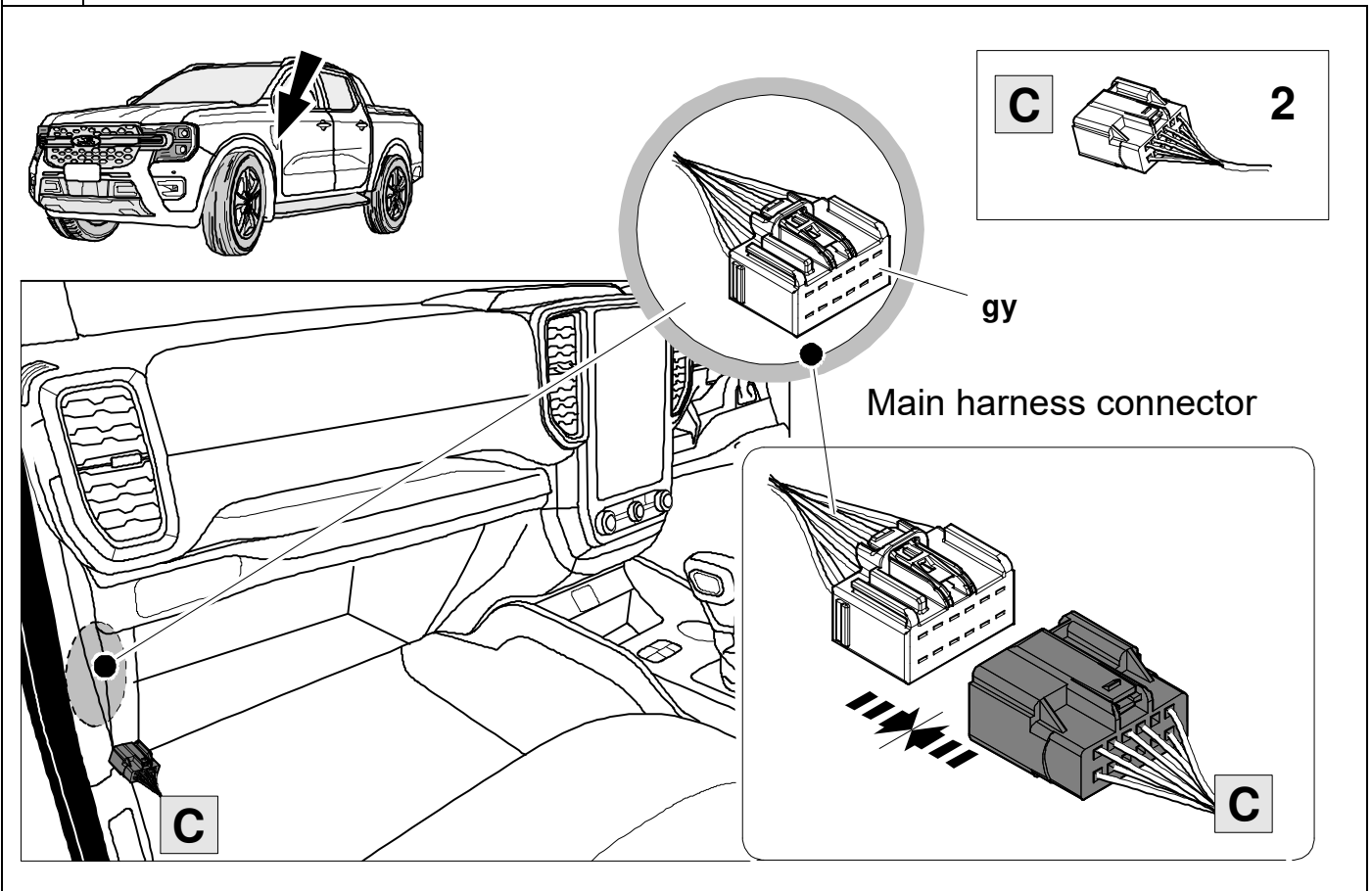
6



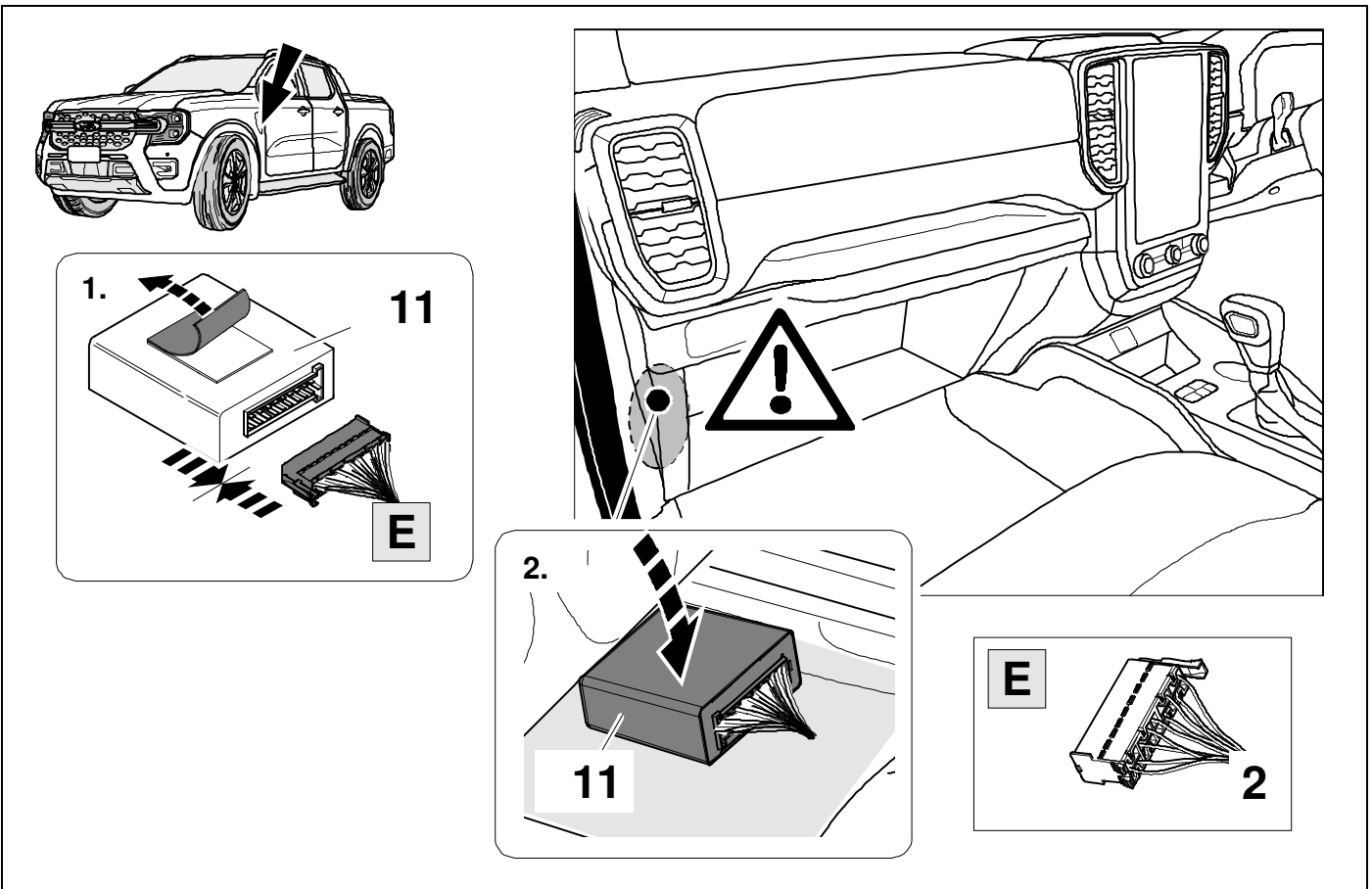
CAN

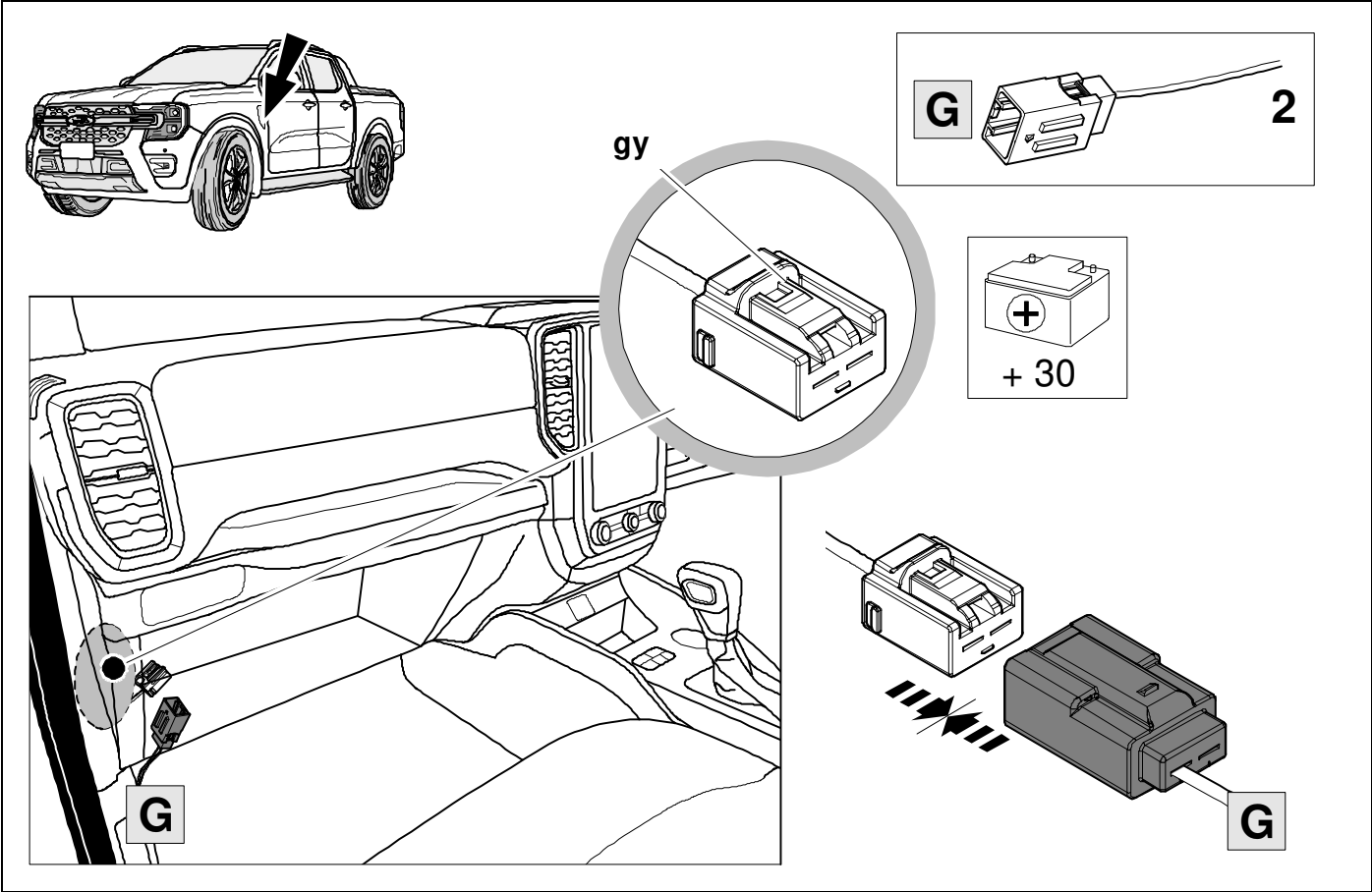


10



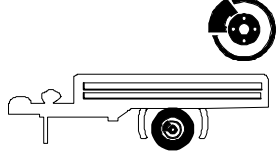
11



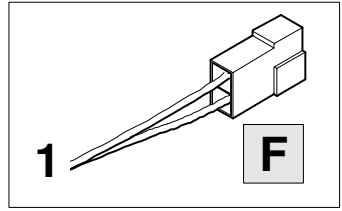




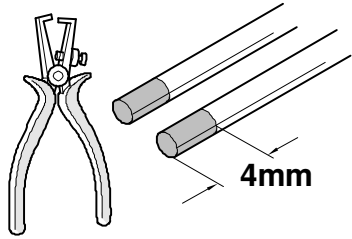
**BRAKE
CONTROLLER
PREPARED**



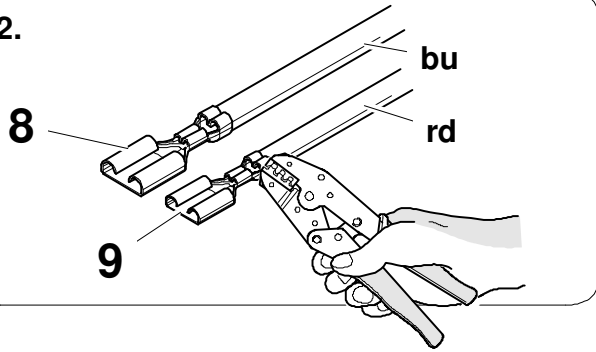
Trailer Brake Preparation



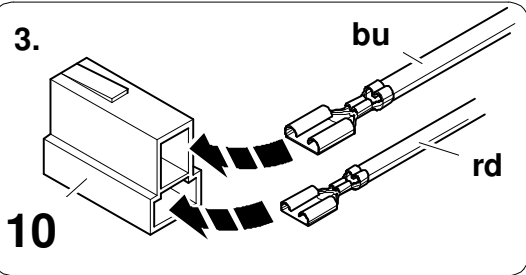
1.



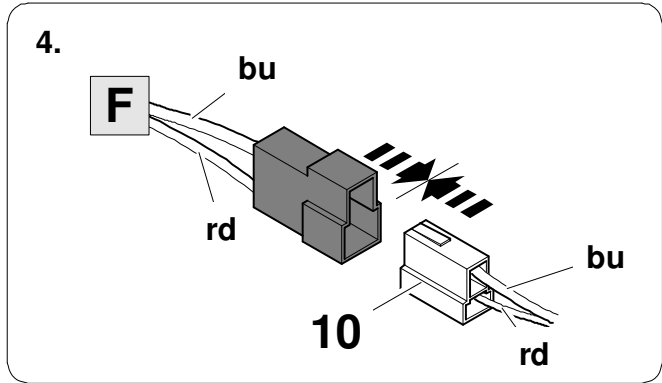
2.



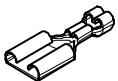
3.



4.



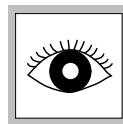
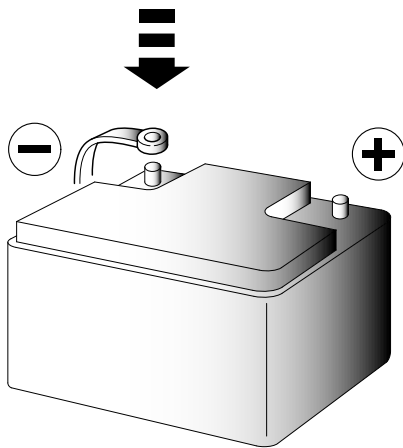
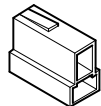
8



9

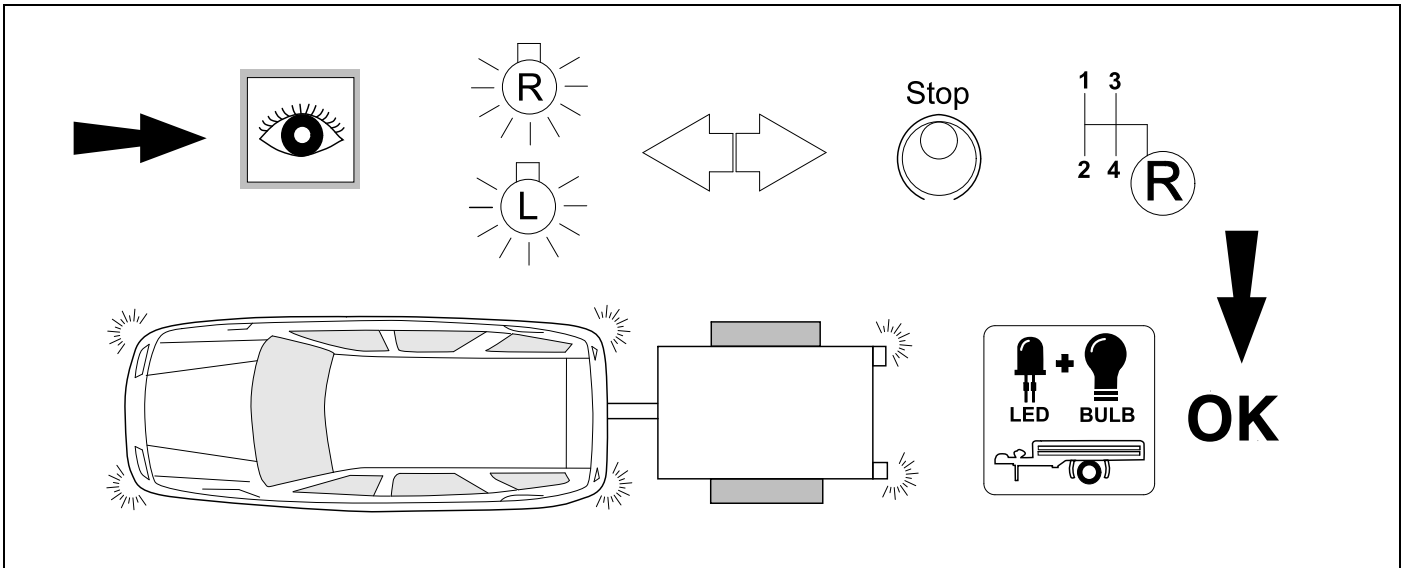


10

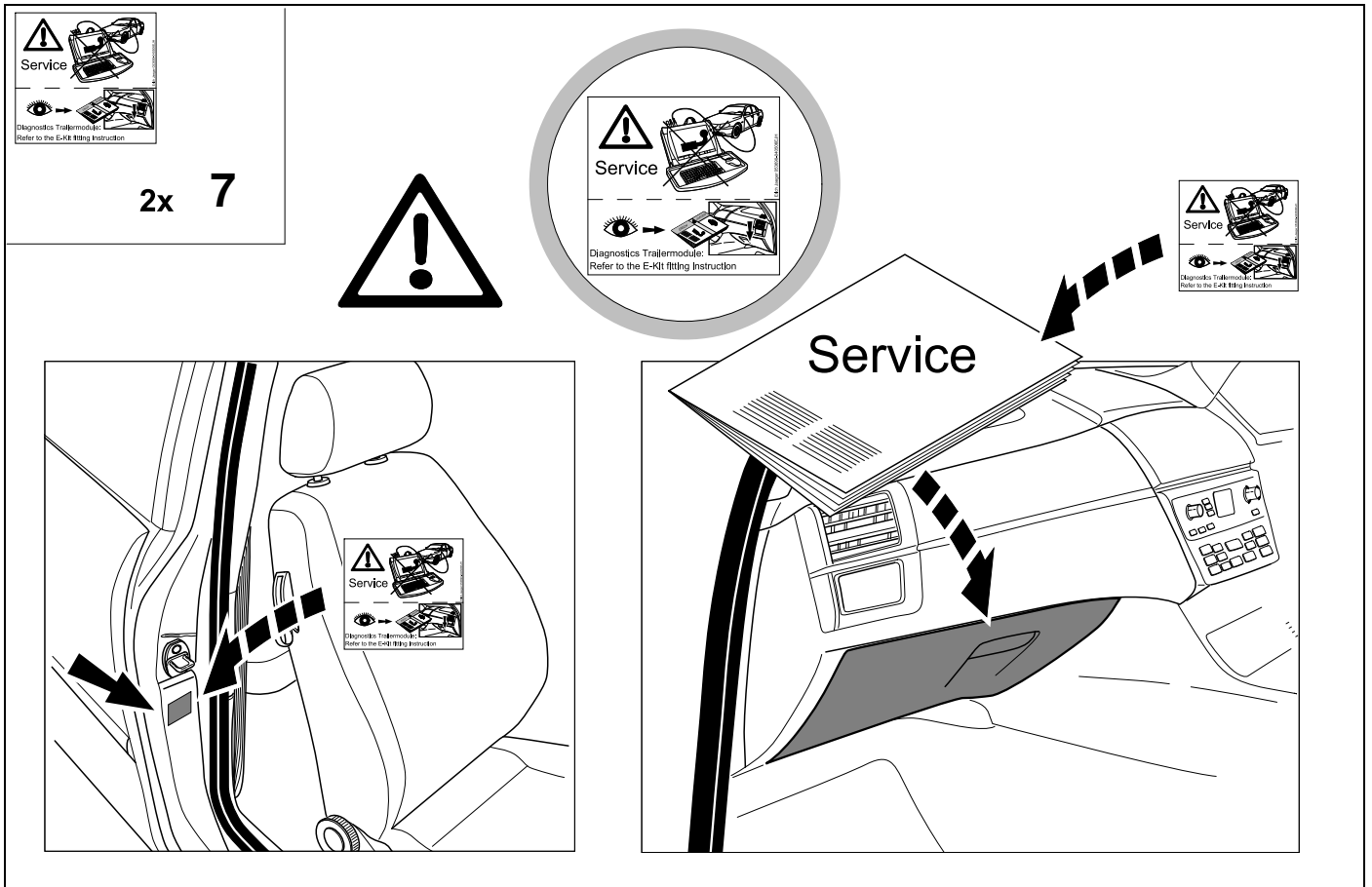


15

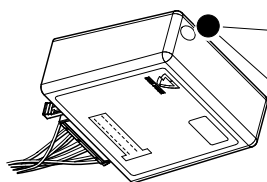
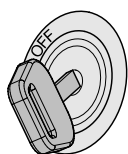
CHECK ALL LIGHTING FUNCTIONS



16



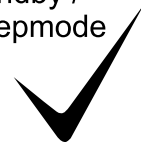
Operation support



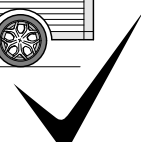
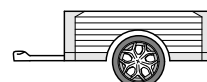
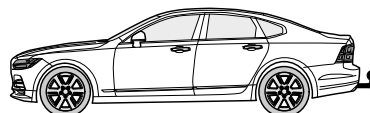
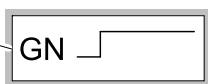
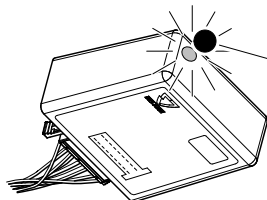
No CAN-Data =



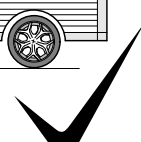
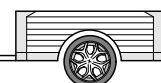
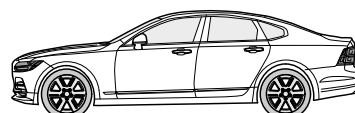
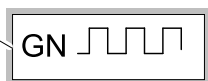
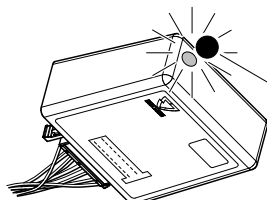
Standby / Sleepmode



Ignition OFF



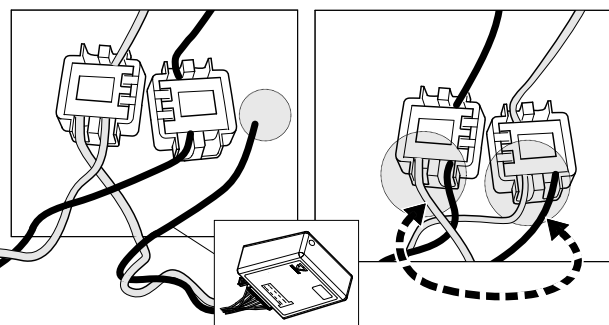
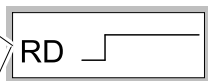
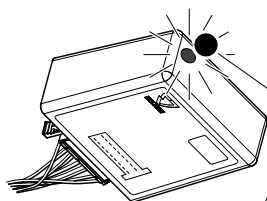
Ignition ON



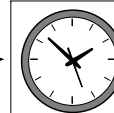
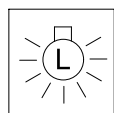
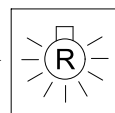
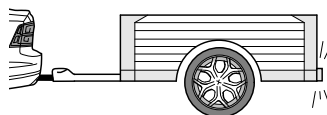
Ignition ON

Failure support

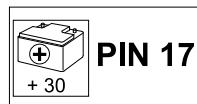
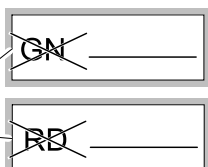
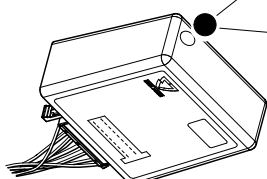
Check CAN-Data Wire



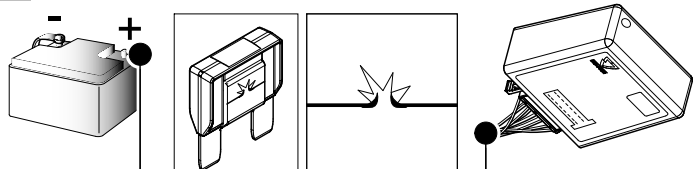
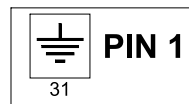
Ignition ON



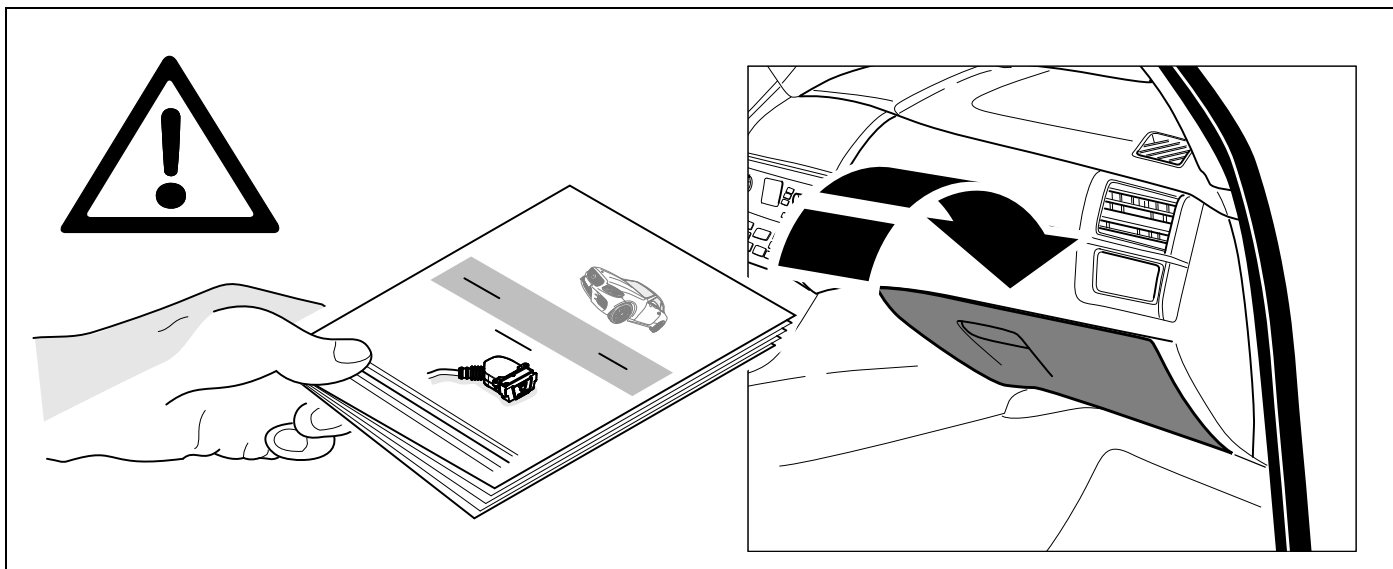
1x max 5 min.



oder / or



Ignition ON



Subject to change in terms of construction, equipment and colour, and may contain errors.

The information and illustrations are non-binding.