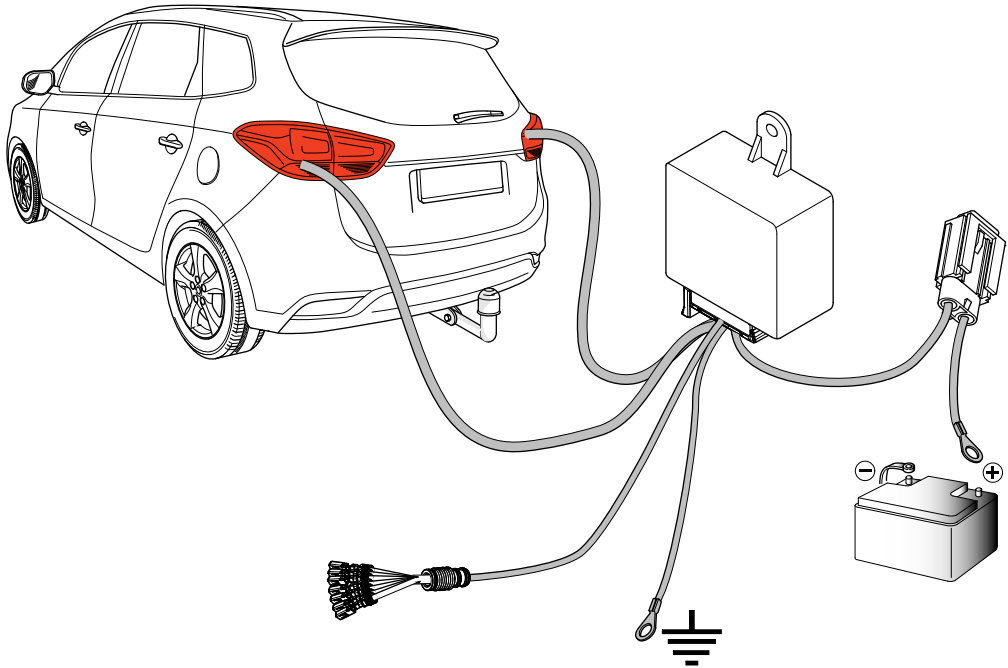
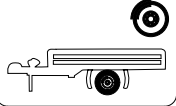
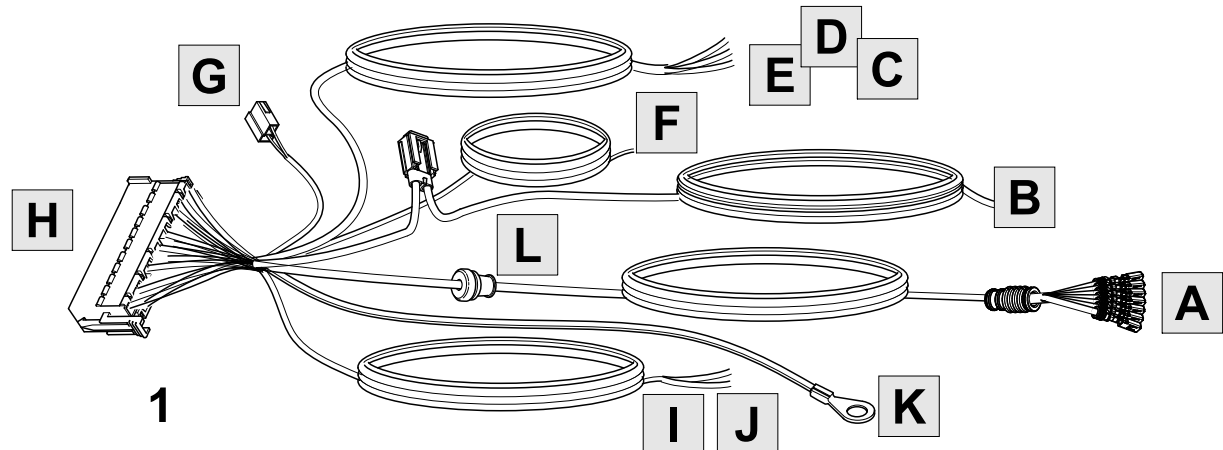


**BRAKE
CONTROLLER
PREPARED**



UNIVERSAL

750033



- 2
- 3
- 4
- 5

2x
- 6
- 7
- 8
- 9
- 10
- 11
- 12

4x
- 13

5x
- 14

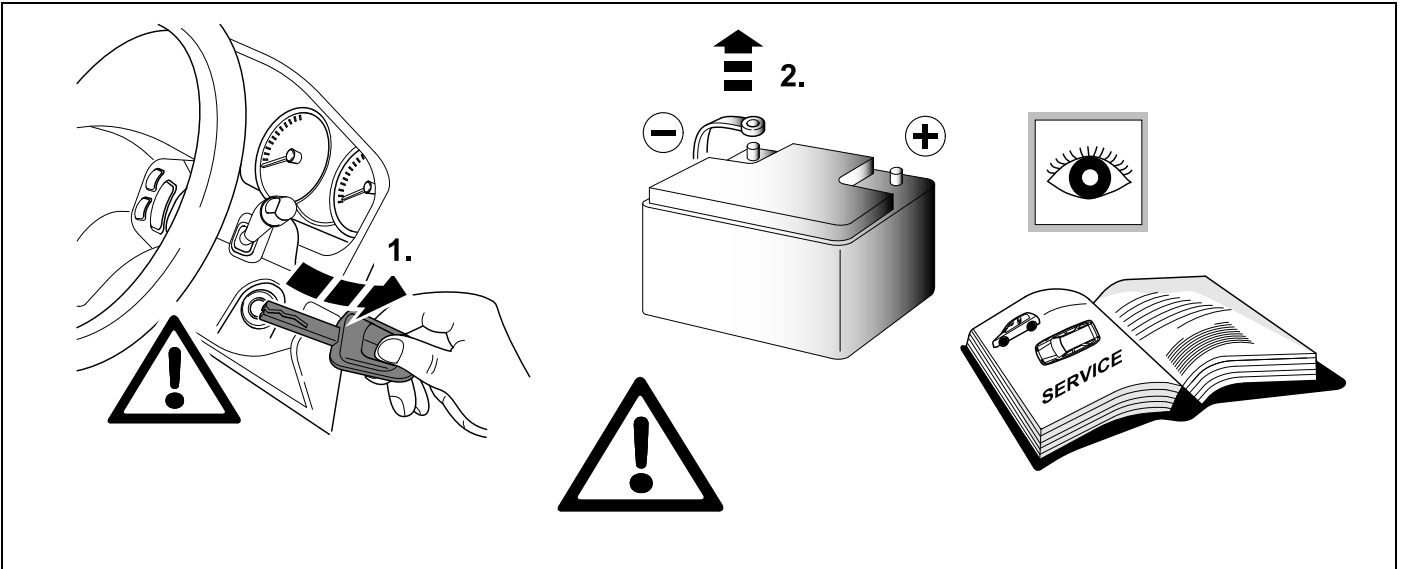
rd
6x
- 15

ye
- 16
- 17
- 18

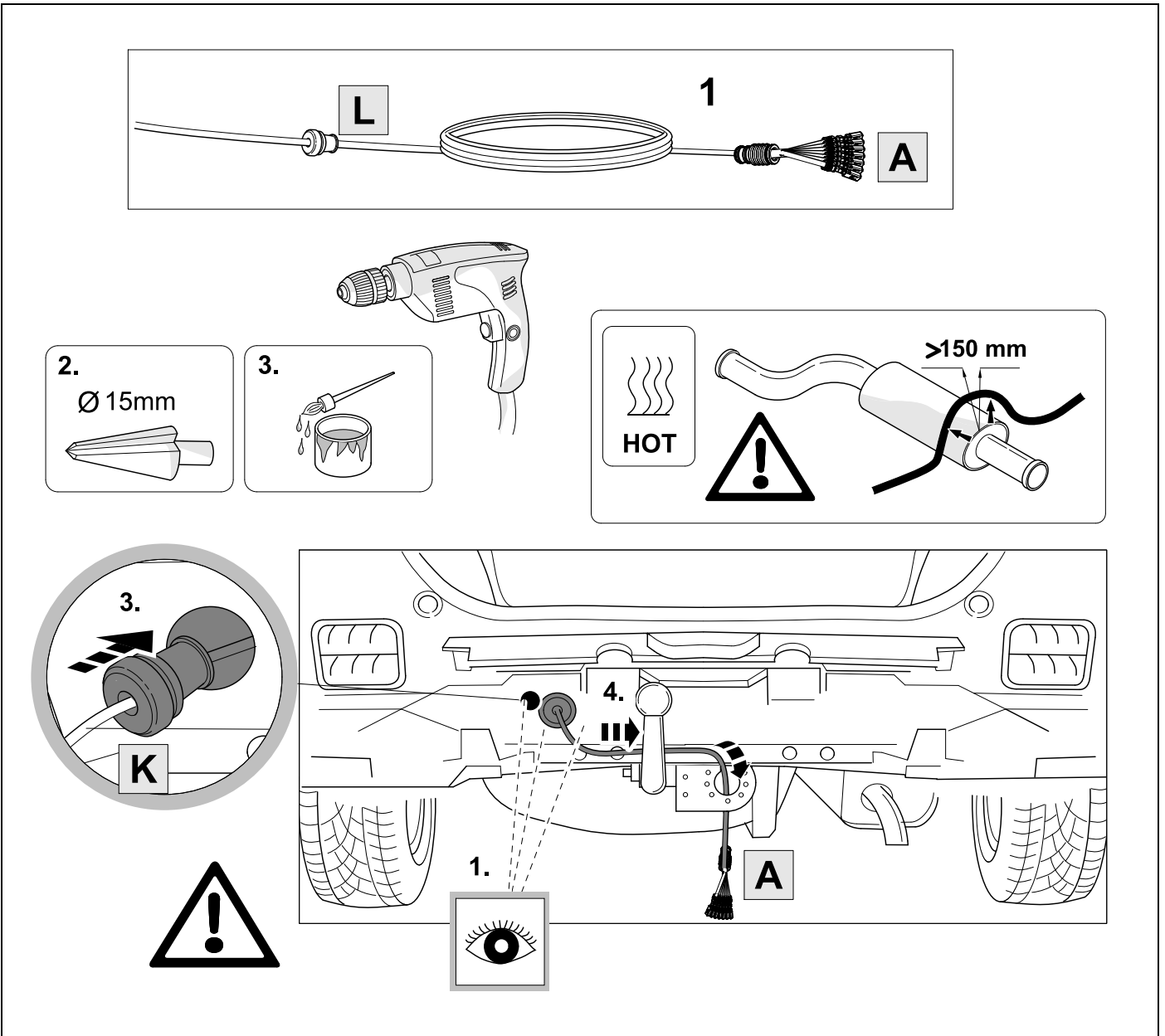
2x
- 19

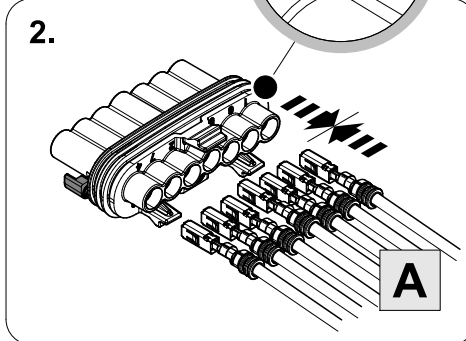
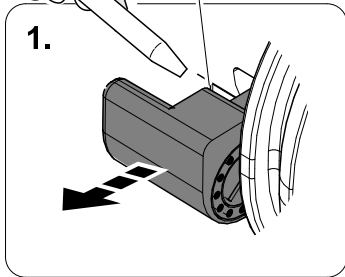
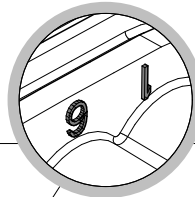
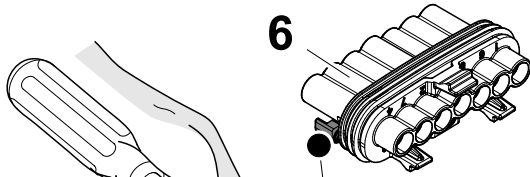
2x

1

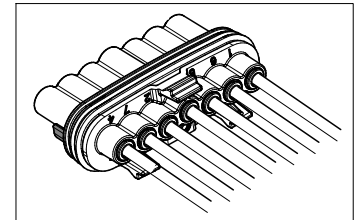
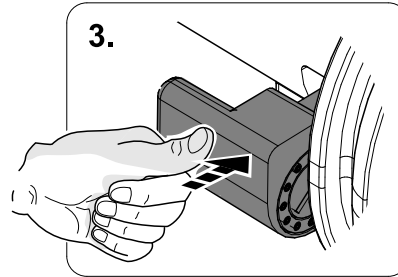
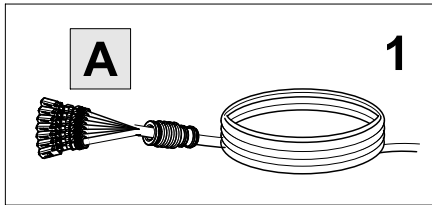


2

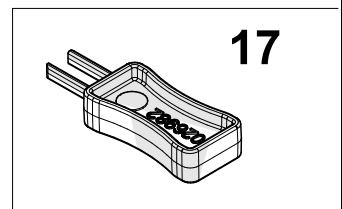
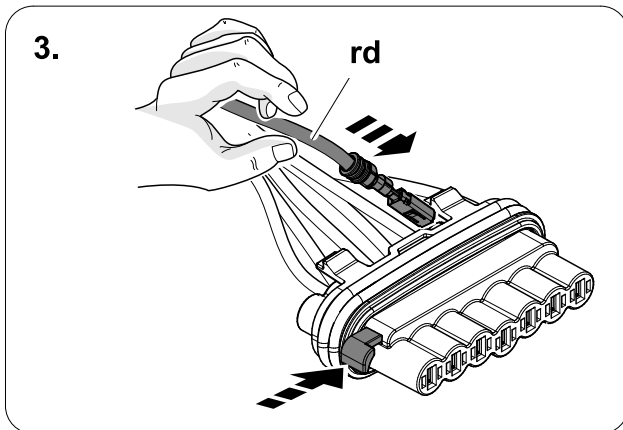
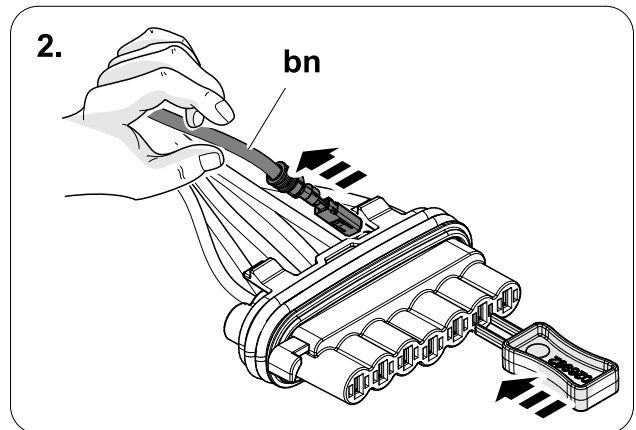
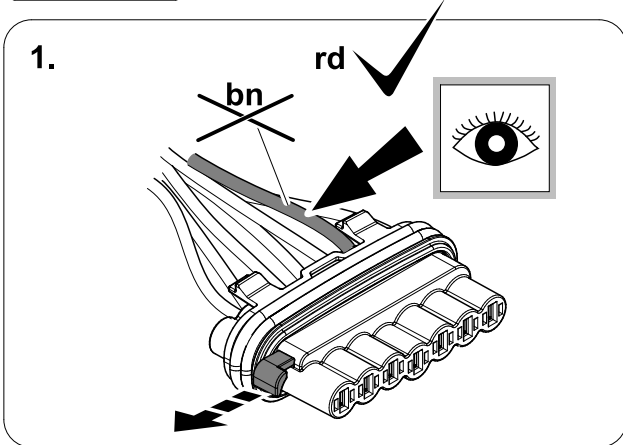




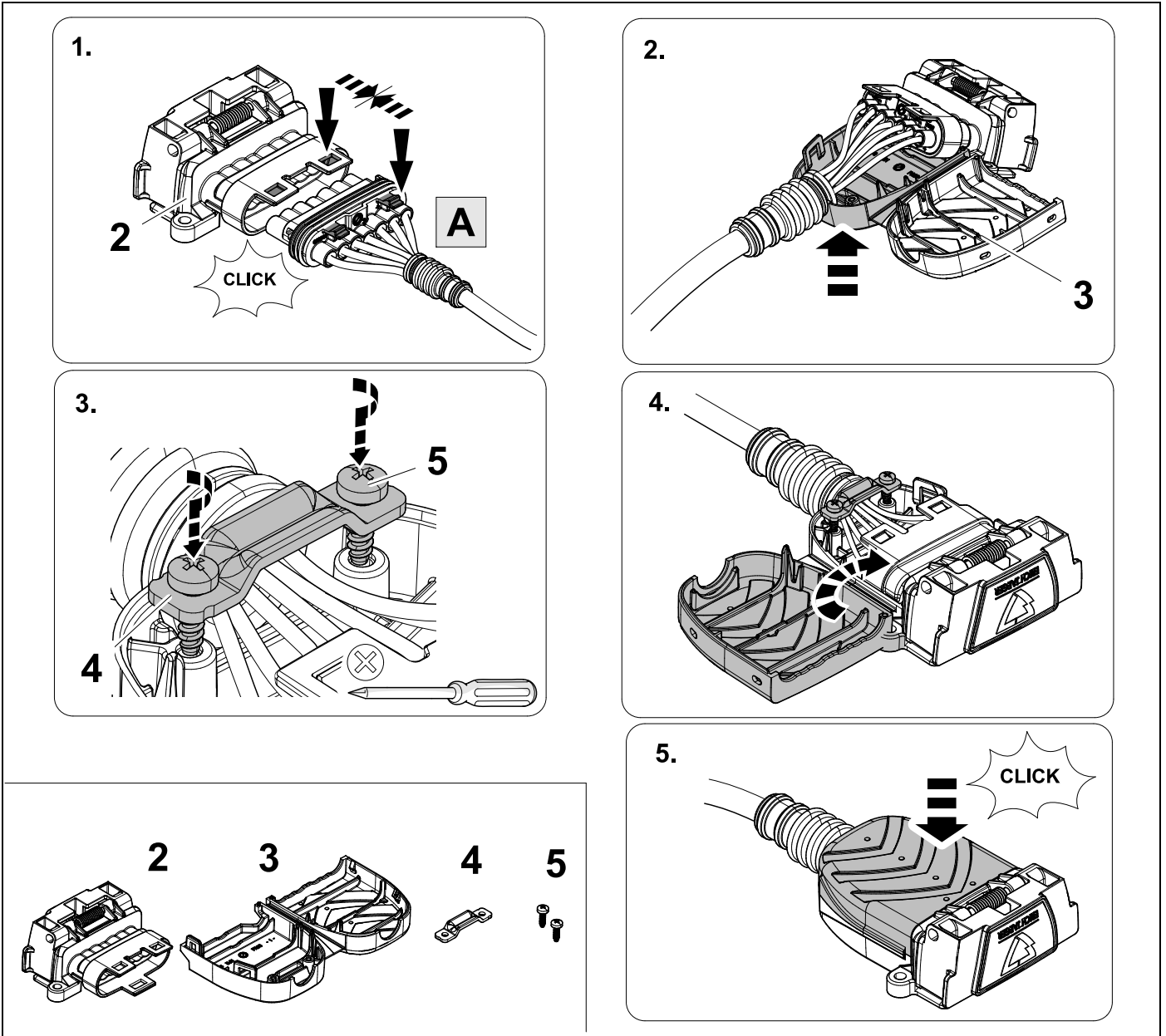
ye	1	
rd	6	
bu	5	
wh	3	
bk	2	
bn	7	
gn	4	



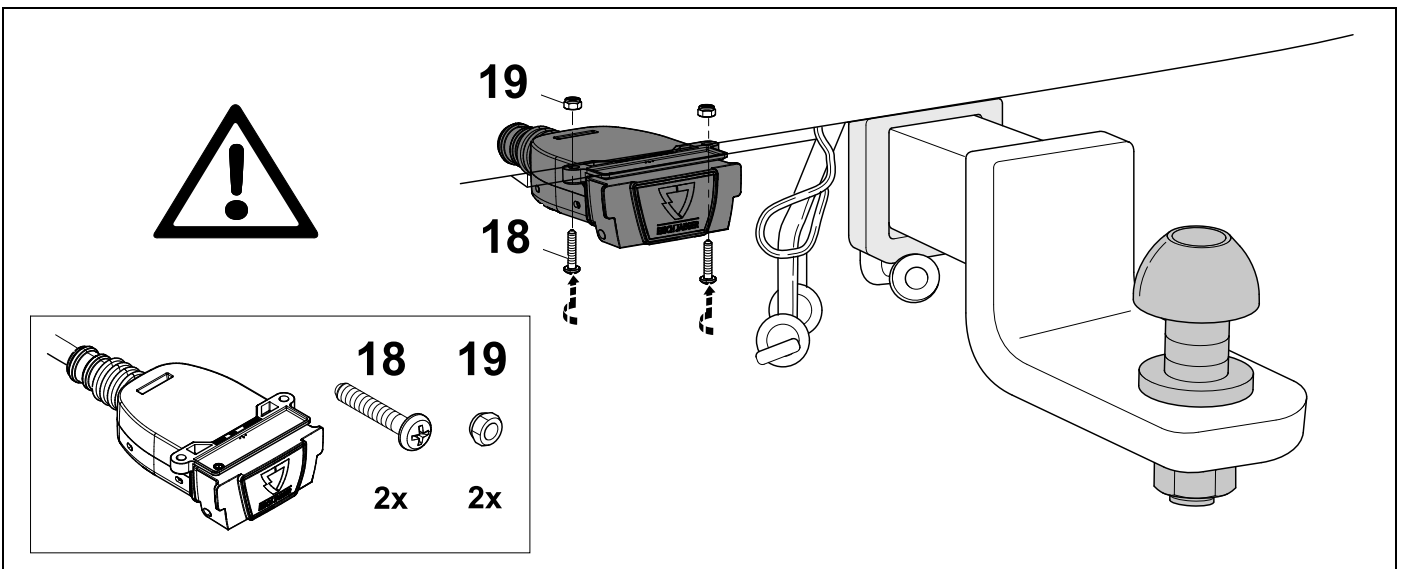
In case of wrong pin insert:



4



5



6



1	ye	
2	bk	
3	wh	
4	gn	
5	bu	
6	rd	
7	bn	

7	bk	wh	gy	gn	rd	bu	ye	bn	pu	or	no
---	----	----	----	----	----	----	----	----	----	----	----

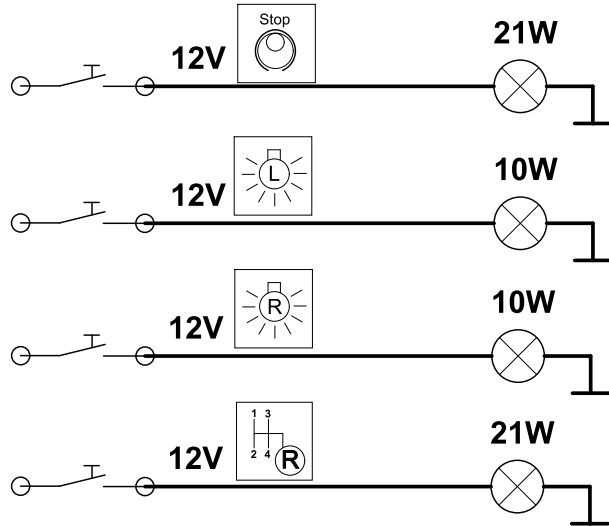
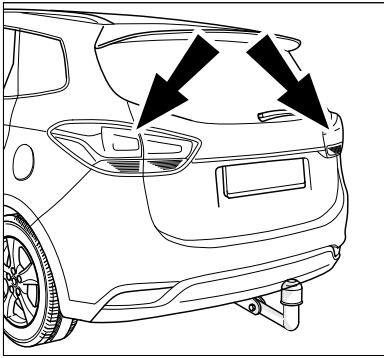
	black	white	grey	green	red	blue	yellow	brown	purple	orange	not occupied
--	-------	-------	------	-------	-----	------	--------	-------	--------	--------	--------------

8

The diagram illustrates the installation of a cable on a vehicle. It shows the rear view of a car with dashed lines indicating the location of the connection point. A warning triangle is present. A close-up shows a bolt and nut being used to secure a cable. A ground symbol is shown next to the bolt. A cable labeled '1' with a 'K' box is shown. Tools including a screwdriver and a 10mm nut are also shown.

9 Without Multiplex-System / PWM

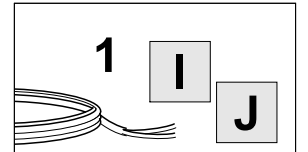
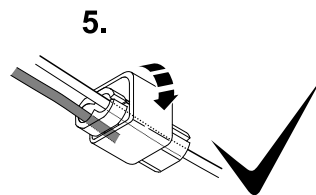
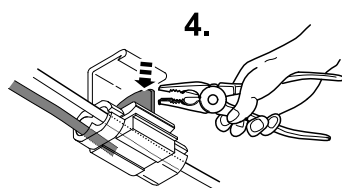
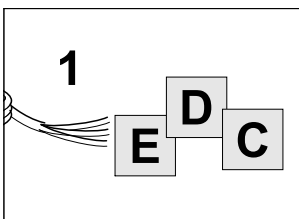
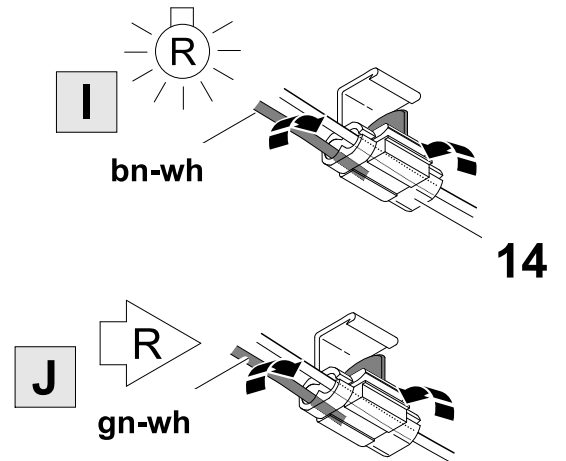
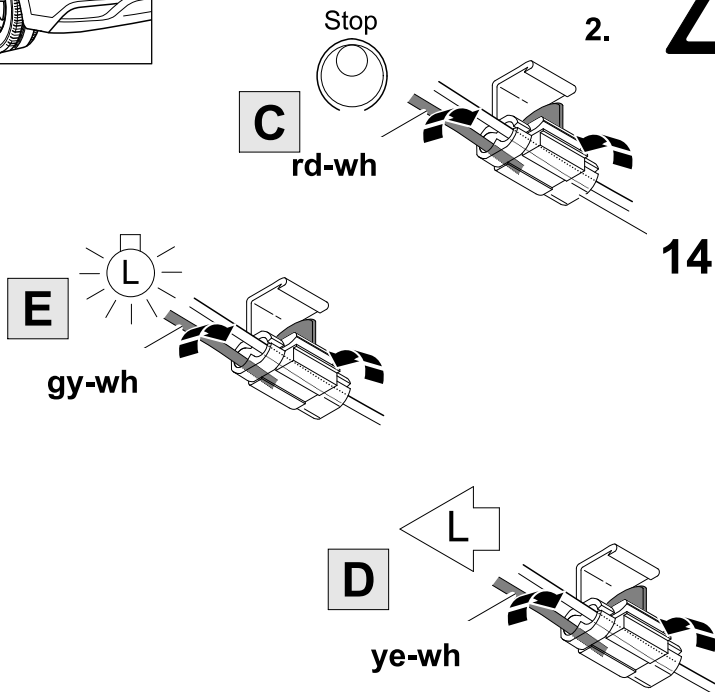
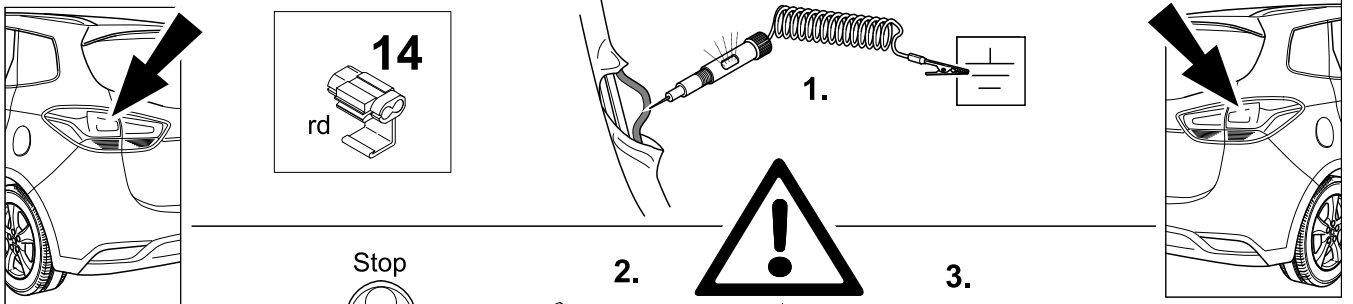
OPTION 1



10



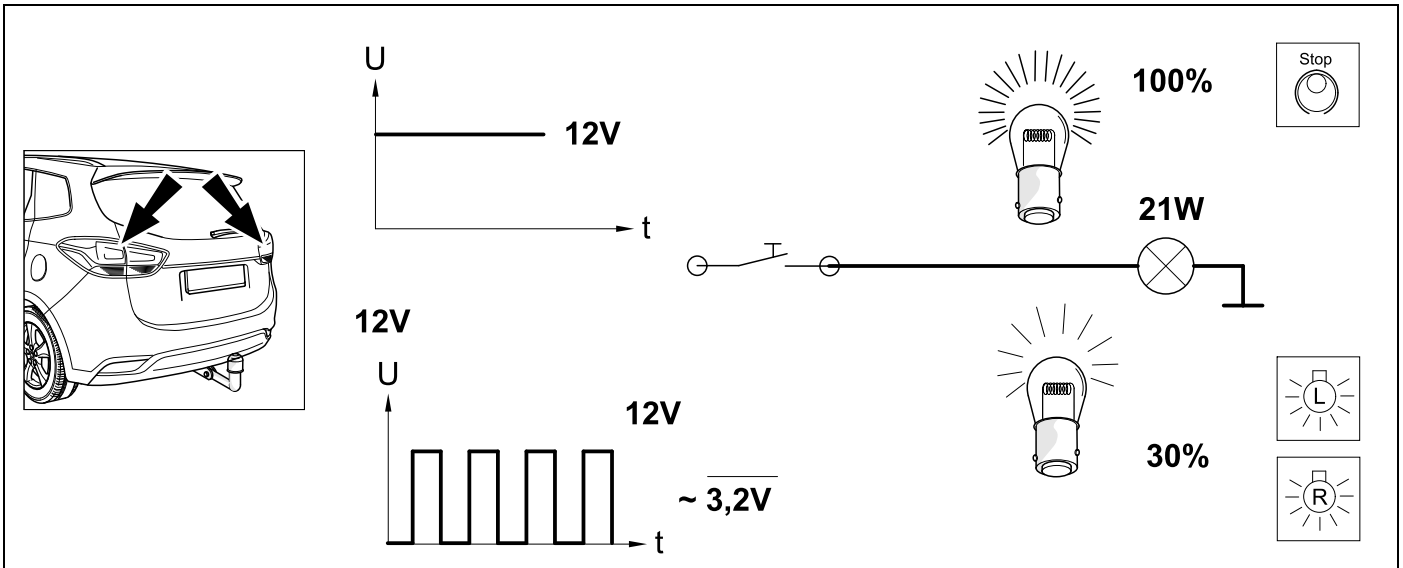
OPTION 1



11

With Multiplex-System / PWM

OPTION 2

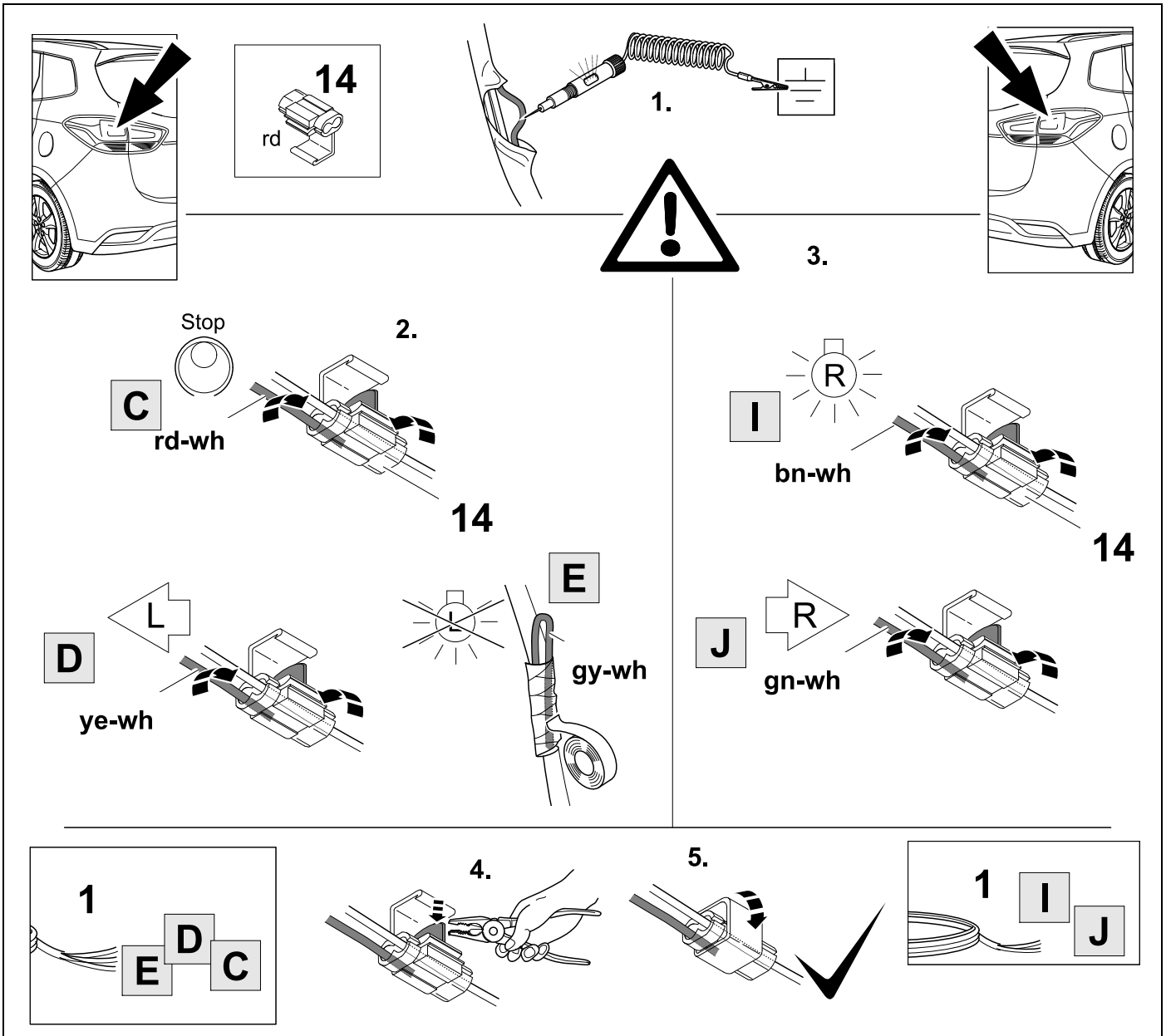


12



7

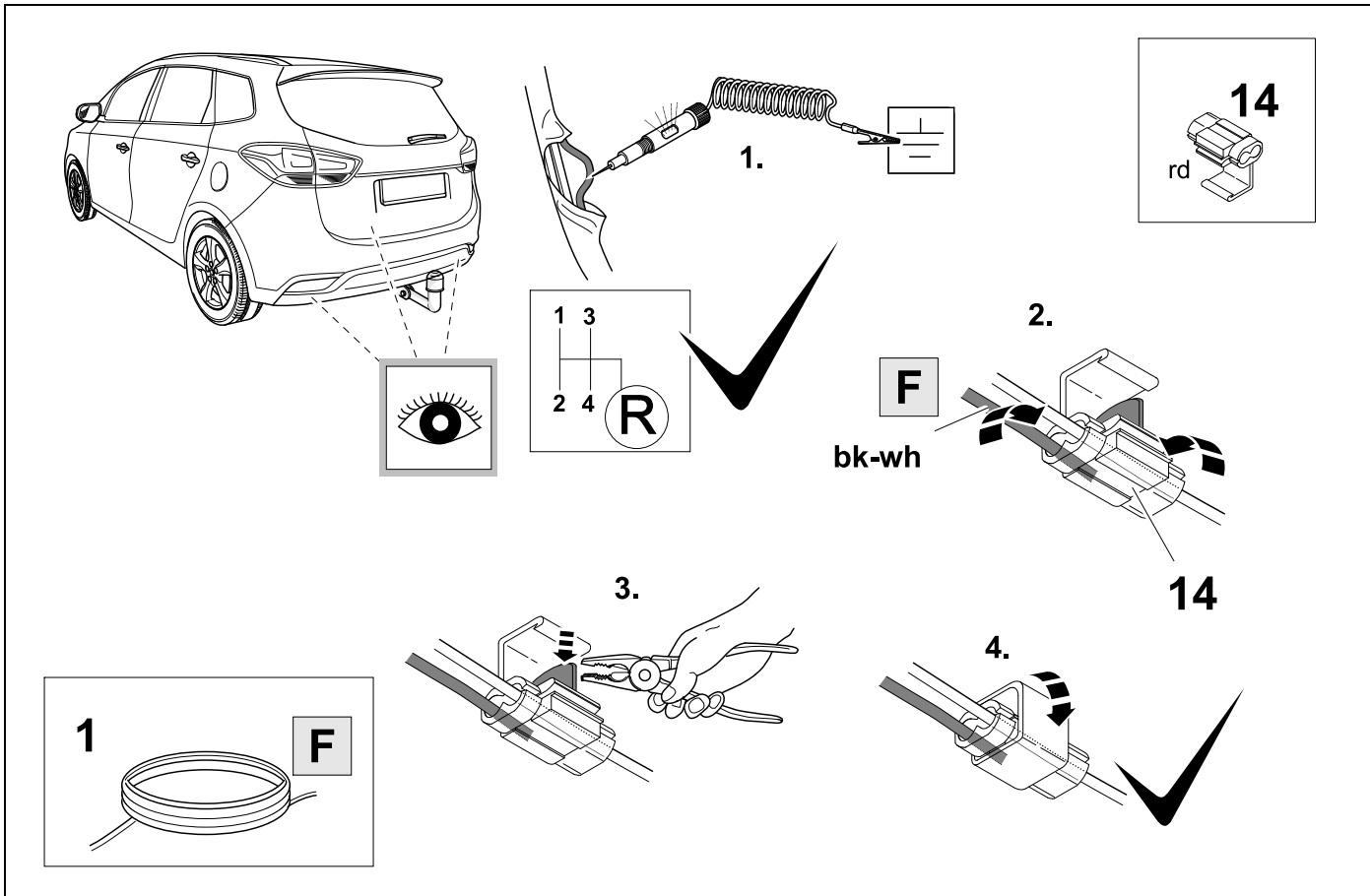
OPTION 2



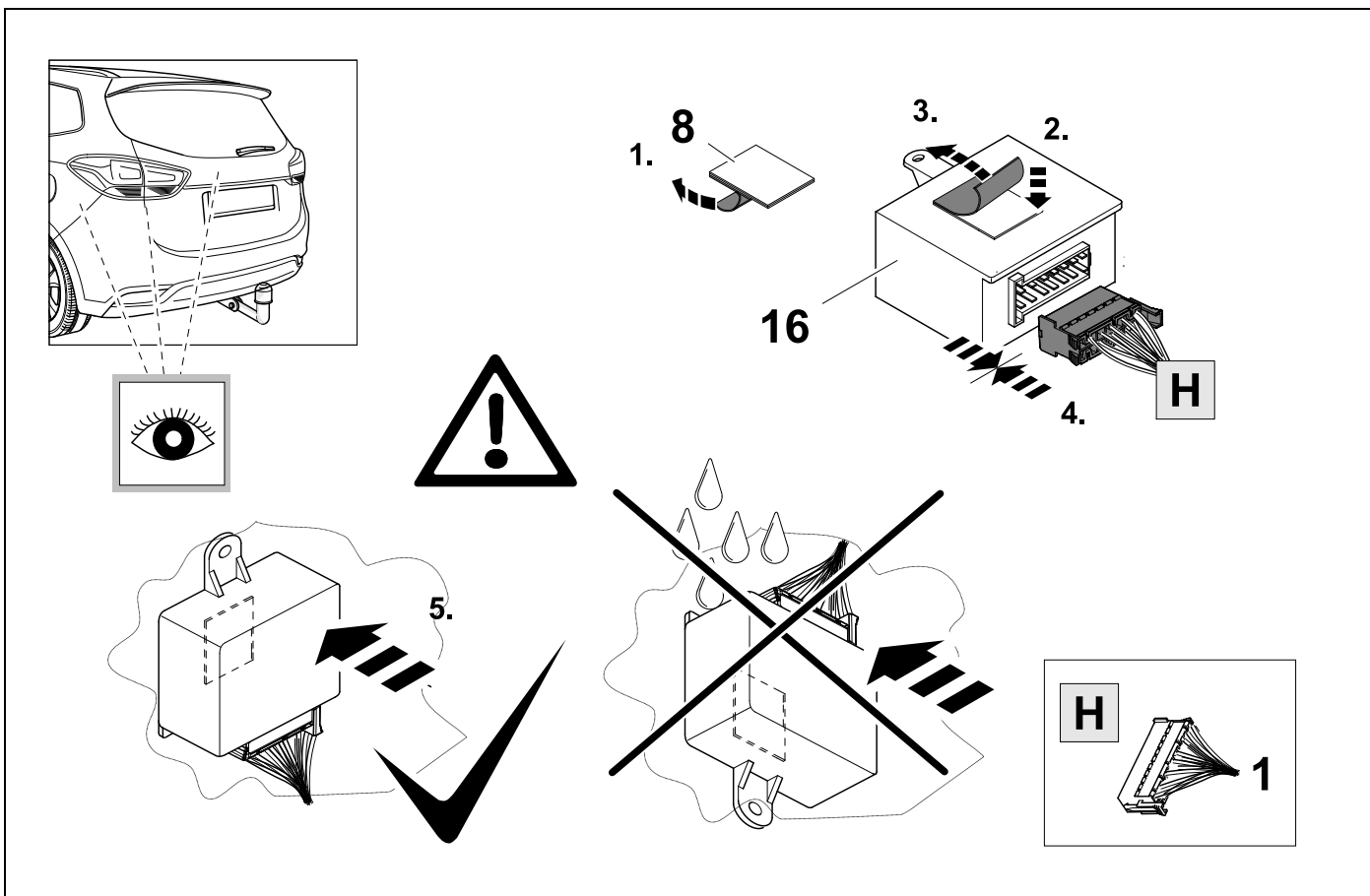
13



7



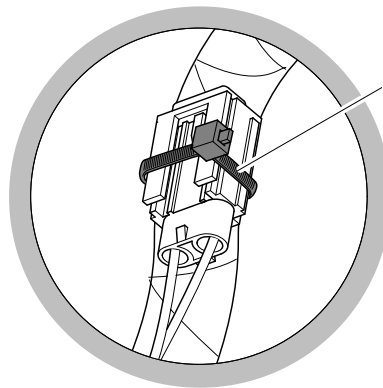
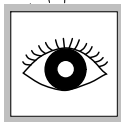
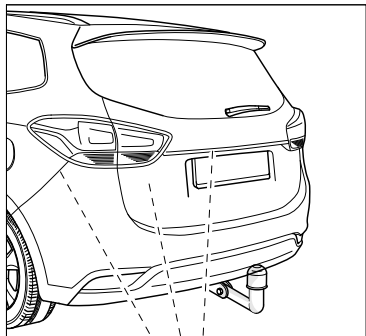
14



15



19



13

Attach the fuse holder on main wire harness

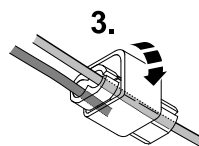
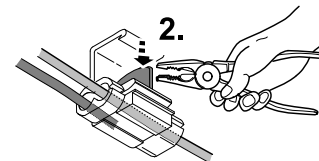
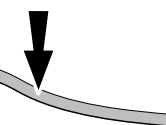
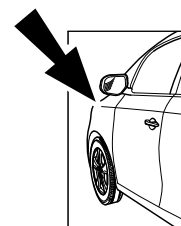
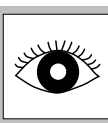
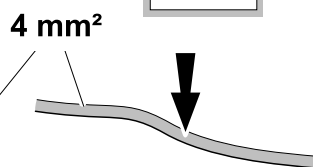
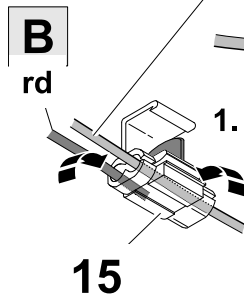
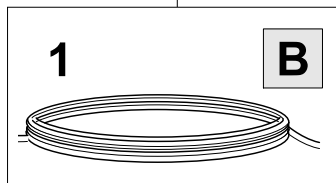
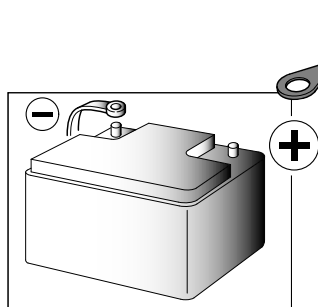
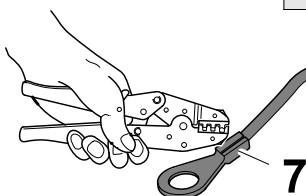
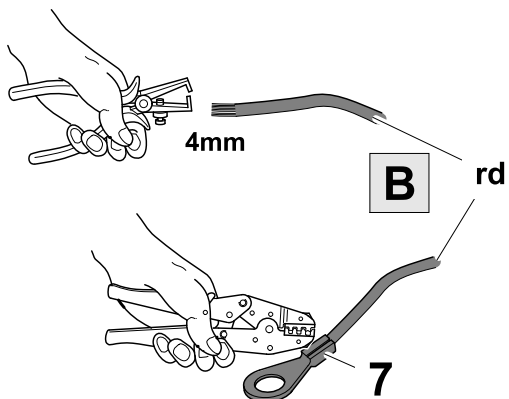
16

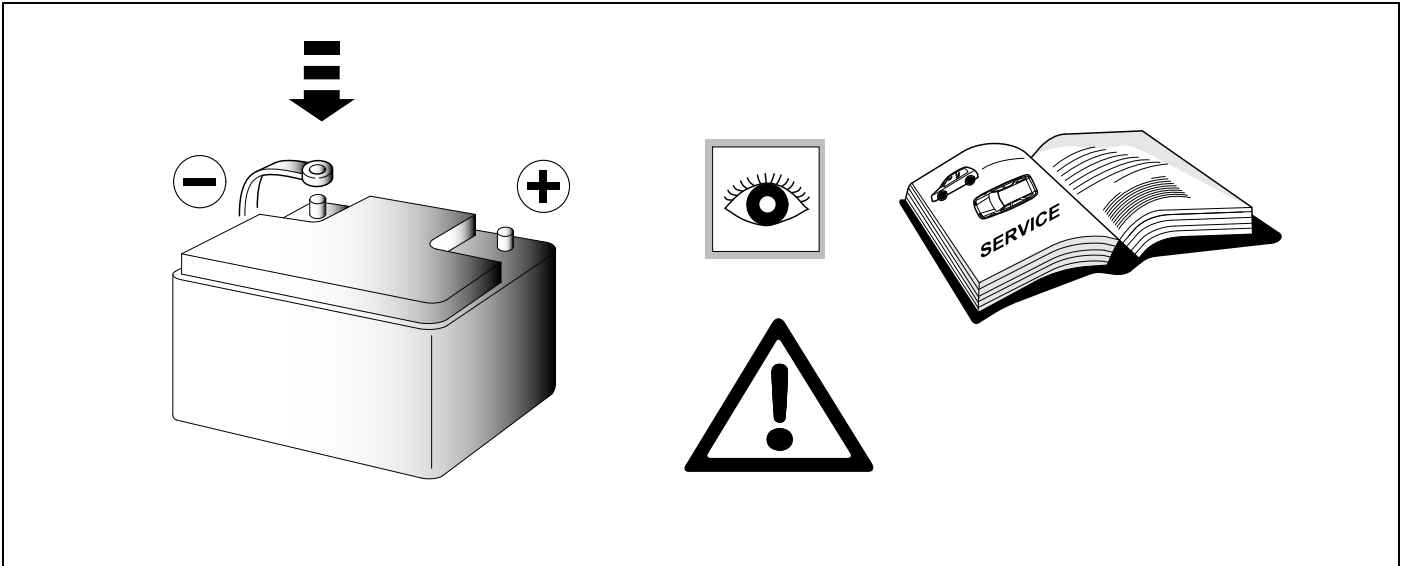


9

Option A

Option B

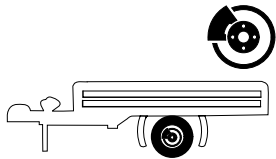




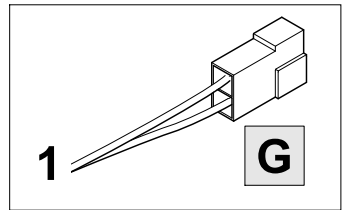
18 OPTIONAL



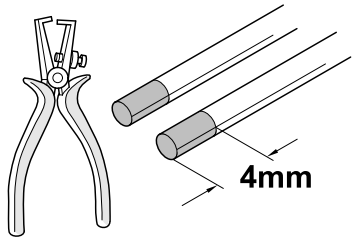
**BRAKE
CONTROLLER
PREPARED**



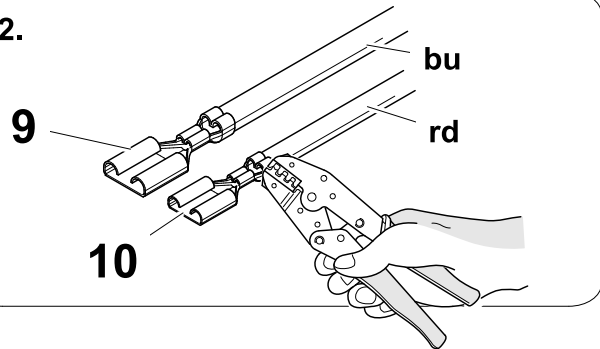
Trailer Brake Preparation



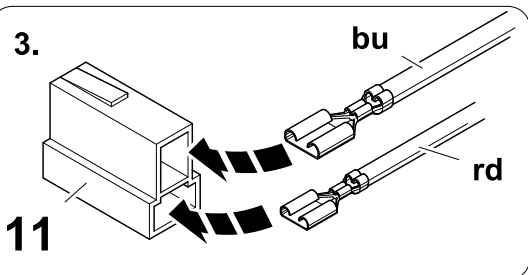
1.



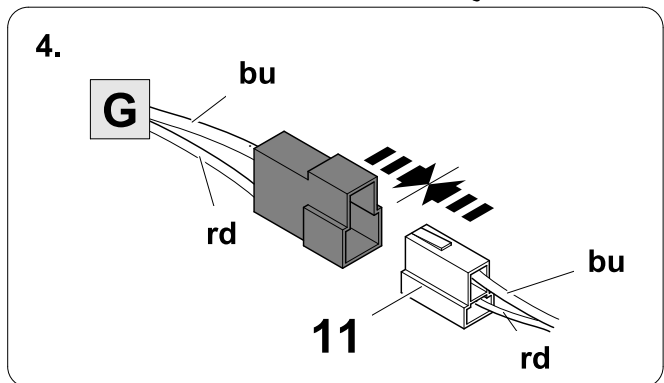
2.



3.



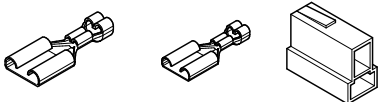
4.



9

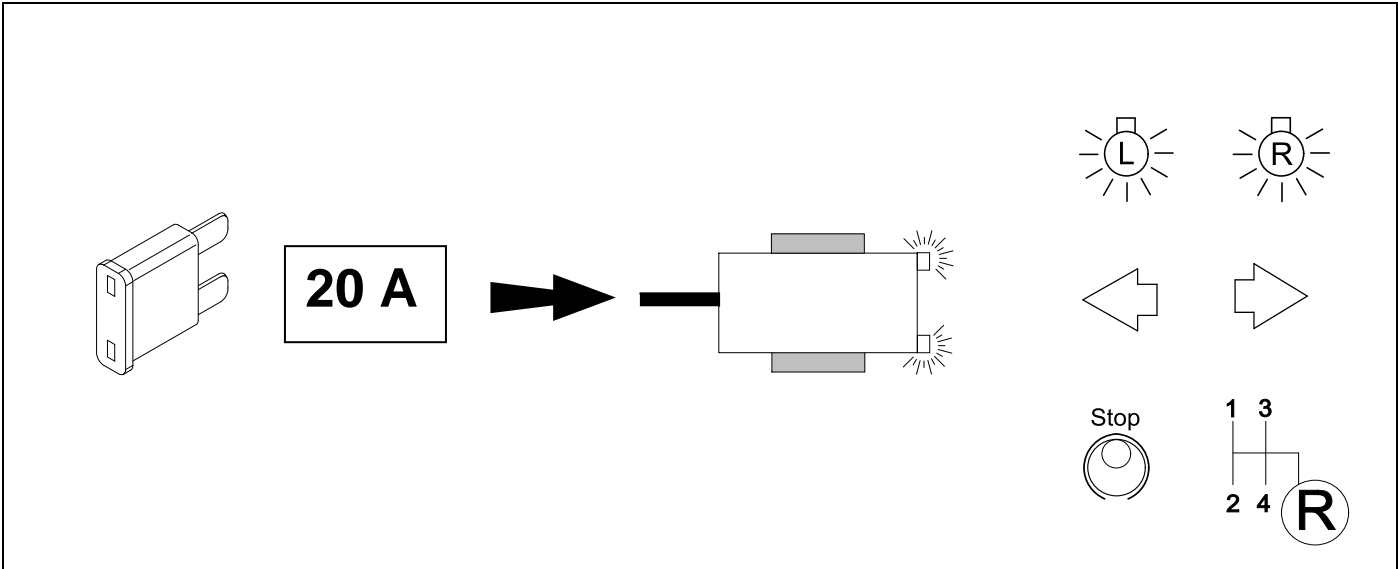
10

11



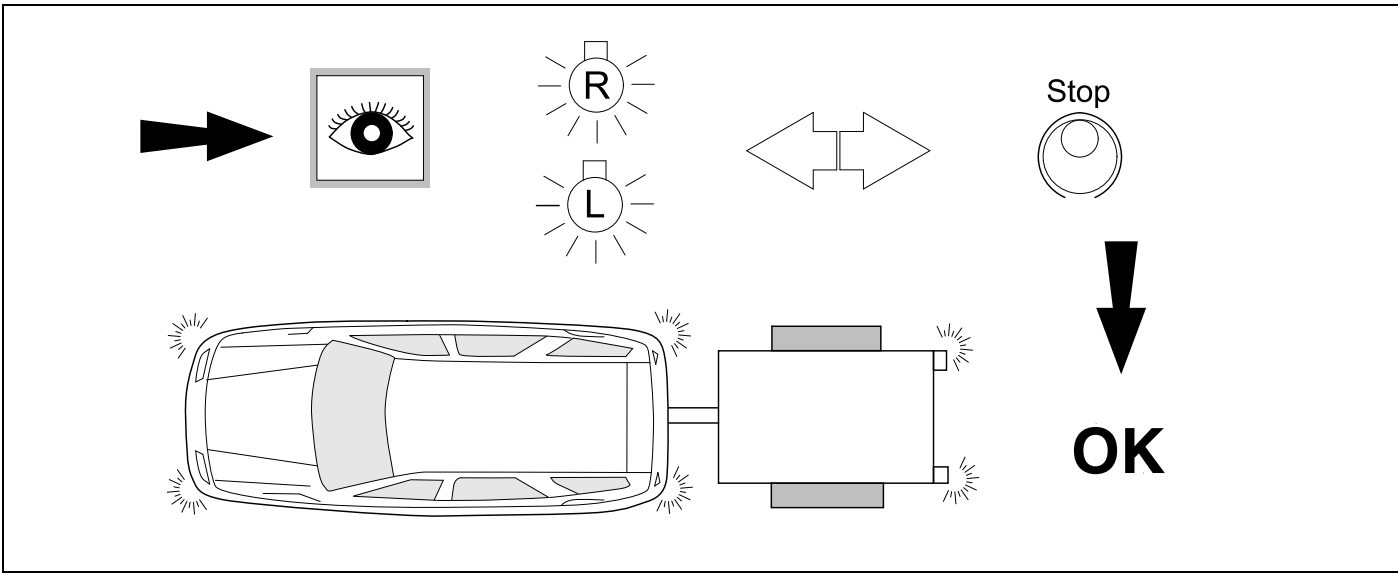
19

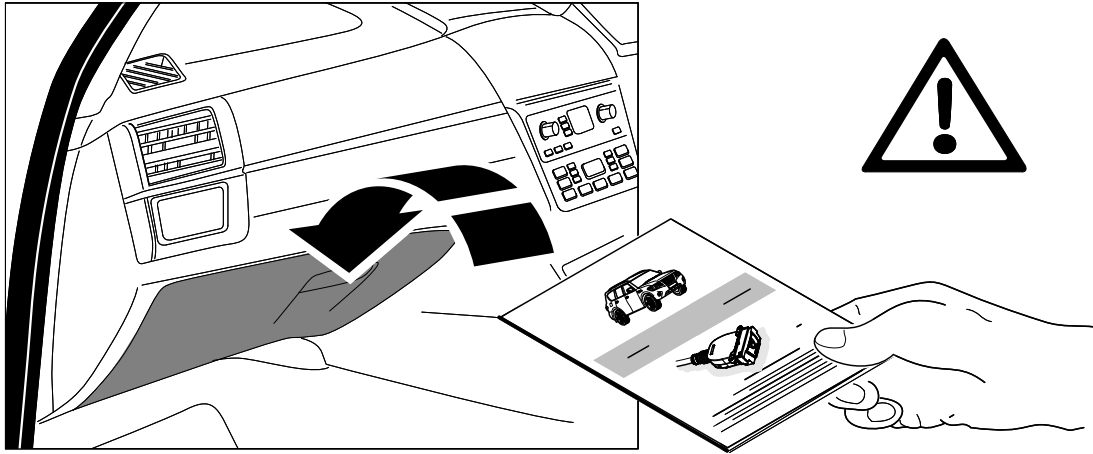
👁️ ⇨ 15



20

CHECK





Subject to change in terms of construction, equipment and colour, and may contain errors.
The information and illustrations are non-binding.